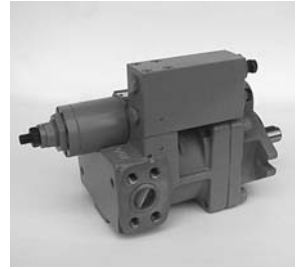


# TWO PRESSURE-TWO FLOW CONTROL TYPE

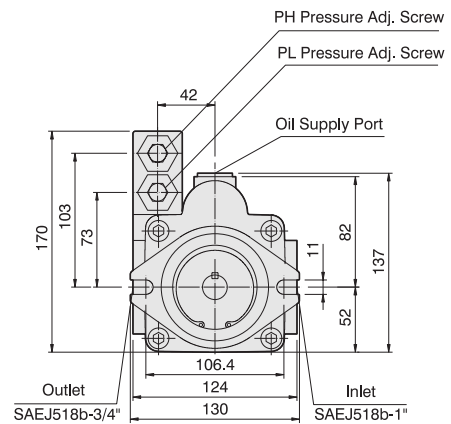
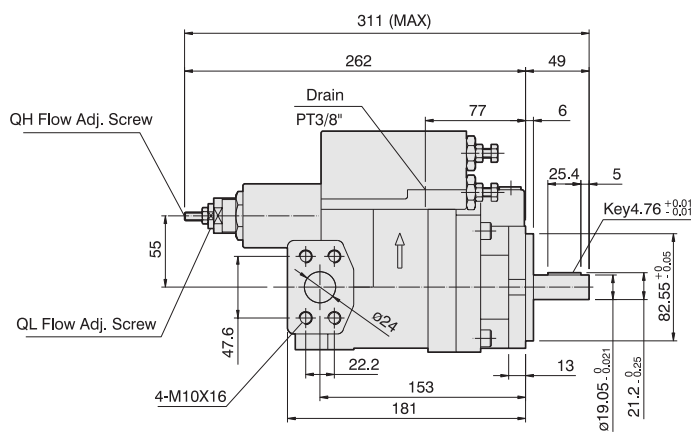
**KCL**® world-best-pumps  
HYDRAULIC EQUIPMENTS

## P16-C1 A3-F-R-01

Design code		
Rotation	R : Clockwise(CW)	
Mounting	F : Flange mounting	L : Foot mounting
PH Pressure adj. range	A2 : 30~145kgf/cm <sup>2</sup>	A3 : 30~215kgf/cm <sup>2</sup>
PL Pressure adj. range	C0 : 20~40kgf/cm <sup>2</sup>	C1 : 20~73kgf/cm <sup>2</sup>
Displacement	16, 22, 36, 46, (cm <sup>3</sup> /rev)	



## P16-C-TYPE / P22-C-TYPE



## P36-C-TYPE / P46-C-TYPE

