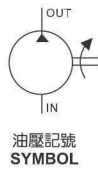


GEAR PUMPS

P1 Series



Production introduction:

P1 pumps employ die cast front mounting flanges and rear covers. The extruded aluminum body and the large bearing blacks are designed to withstand extreme pressure and offer high volumetric efficiency. Viton seals are used for high temperature capability. Working pressure of 21 Mpa and peak pressure to 25 Mpa make the P1 series a very good choice for many application.

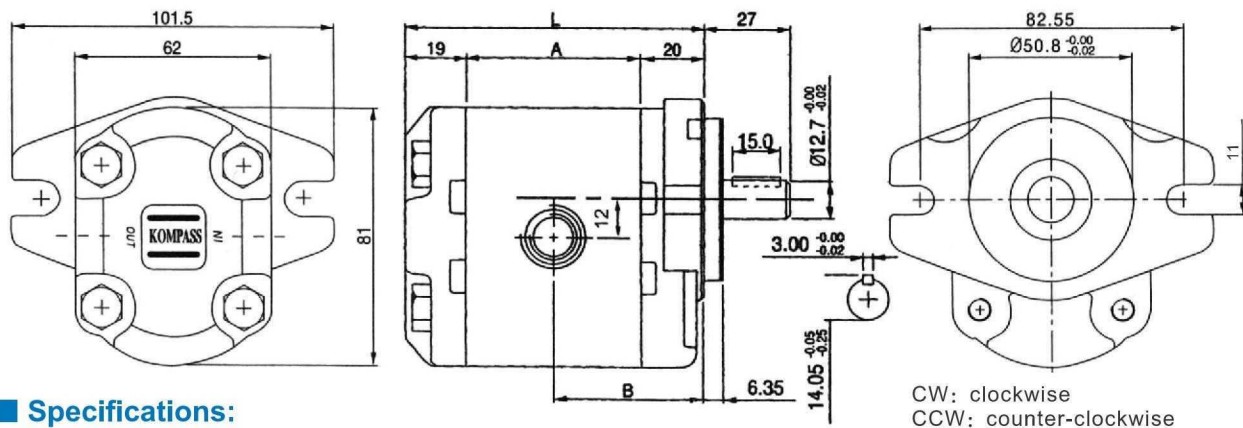
Feature:

1. High efficiency: overall efficiency of P1 series perform 90%.
2. Applicable for mobile and industrial machine applications.
3. Simplified part designs are easy to maintain and interchange.
4. Can combine with electric motors combined pumps.
5. Can combine with variable displacement van pumps to save the cost.

How to order:

P1	05	R	P	01	G	T
Series number	displacement	Shaft rotation (view from shaft end)	Inlet & outlet	Shaft	Flange mounting	Rear cover logo
P1 Gear pumps	Refer to "specifications"	R:clockwise L:counter-clockwise	U: UNF P:PT N:NPT Refer to specifications	Refer to Shaft sheet 01 (standard) 10 12	Refer to flange G(standard) SAE " AA "	KOMPASS (standard)

© Remarks: special mounting type, inlet & outlet position or other please contact us.



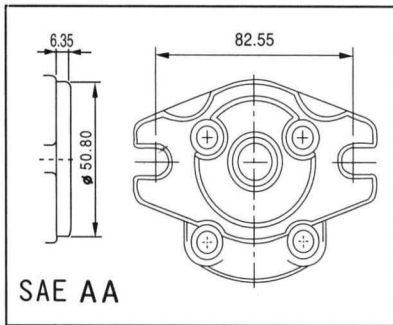
Specifications:

MODEL	displacement ml/rev	Pressure (Mpa)		Outside size (mm)			Weight (kg)	Inlet & outlet	
		Counting pressure (Mpa)	opering pressure (Mpa)	Max pressure pressure (Mpa)	A	B		L	Inlet
P101	1.30	21	25	44.08	42.04	83.08	0.82	PT/NPT:1/2" or UNF: 3/4"-16	PT/NPT:3/8" or UNF: 9/16"-18
P102	2.00	21	25	46.08	43.04	85.08	0.91		
P127	2.70	21	25	48.08	44.04	87.08	1.00		
P135	3.40	21	25	50.08	45.04	89.08	1.05		
P104	4.10	21	25	52.08	46.04	91.08	1.10		
P105	5.10	21	25	55.08	47.54	94.08	1.14		
P106	6.10	21	25	58.08	49.04	97.08	1.18		
P107	7.40	21	25	62.08	51.04	101.08	1.27	PT/NPT:3/4" or UNF: 1/16"-12	PT/NPT:1/2" or UNF: 7/8"-14
P109	9.10	18	21	67.08	53.54	106.08	1.32		

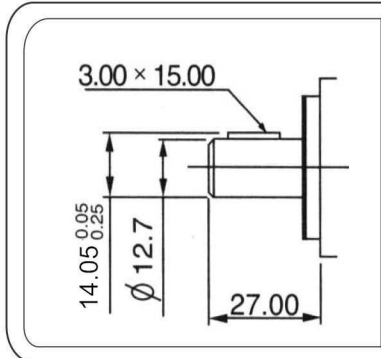
© Remarks: special mounting type, inlet & outlet position or other please contact us.

■ P1 Flange mounting & shaft sheet

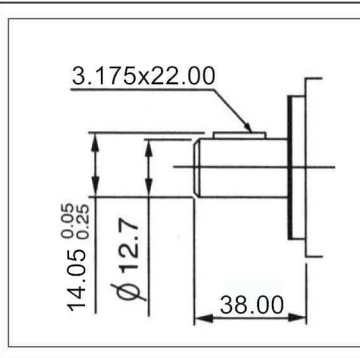
G



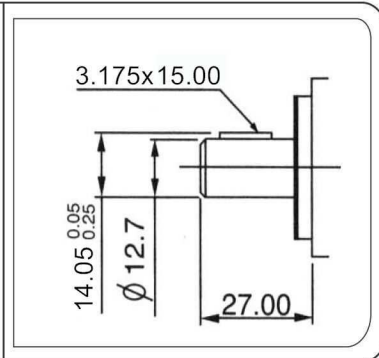
01



10

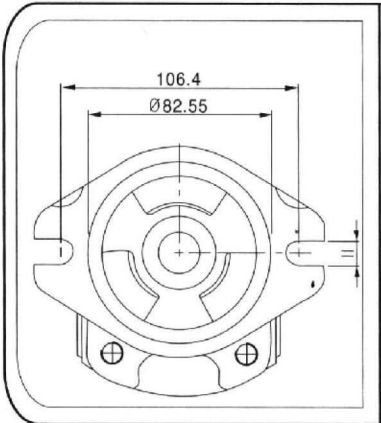


12

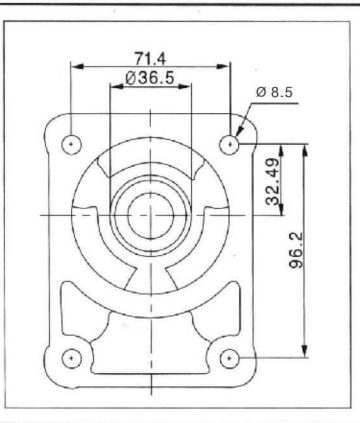


■ P2 Flange mounting & shaft sheet

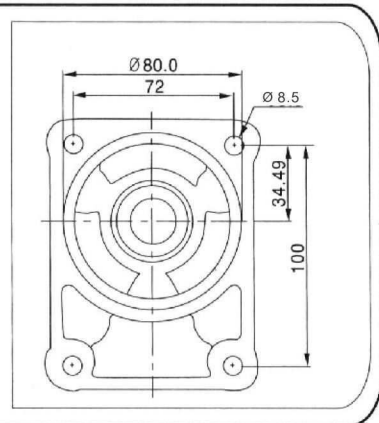
D



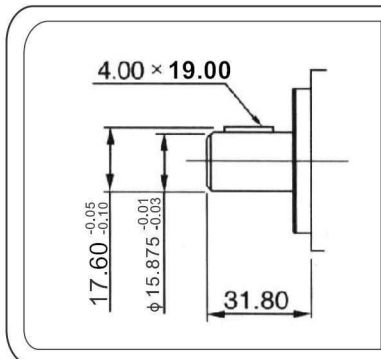
C



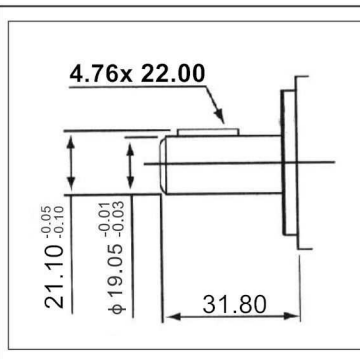
E



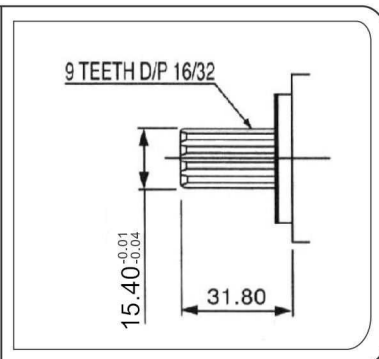
01



04



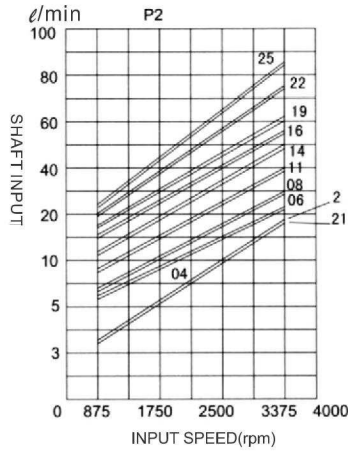
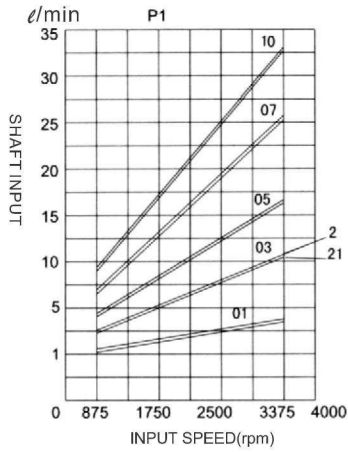
07



© Remarks: above are standard, other sizes required please contact us.

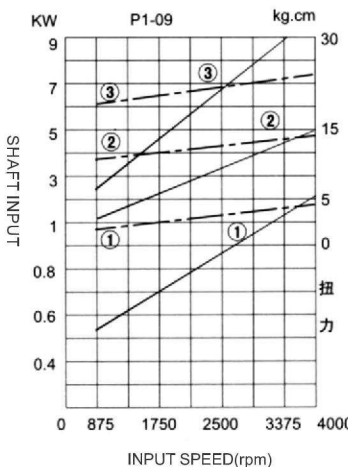
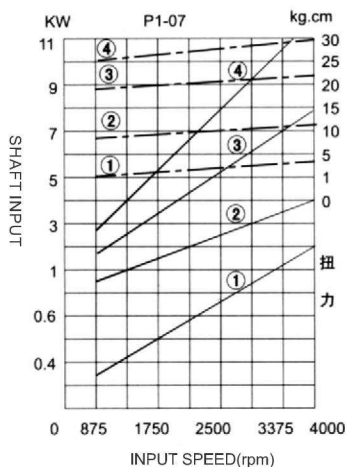
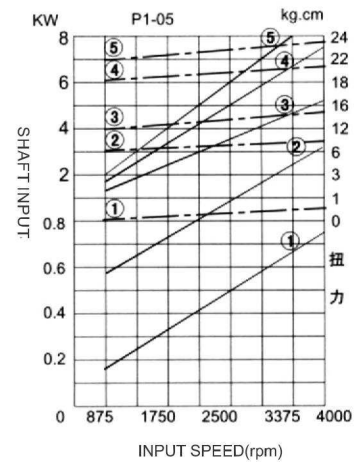
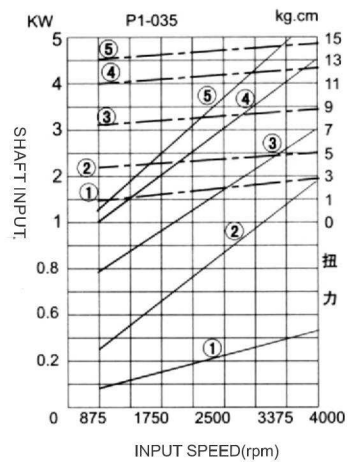
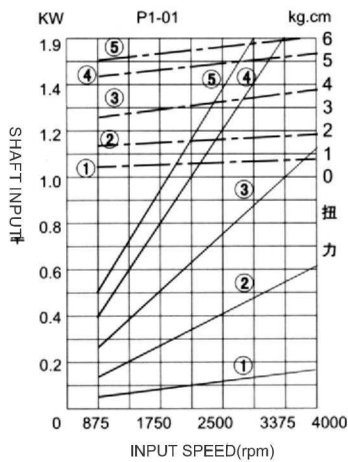
■ Performance curves:

A. Displacement-input speed characteristics:



Test conditions:
 Viscosity: 20 cSt
 Fluid: ISO Vg32
 Temperature: 50°C
 Specific gravity: 0.850

B. Shaft input-input speed-torque characteristics:



Curve types:
 — Shaft input
 - Input speed characteristics
 Torque-Input speed characteristics
 ①: 2 MPa
 ②: 7 MPa
 ③: 14 MPa
 ④: 21 MPa
 ⑤: 25 MPa