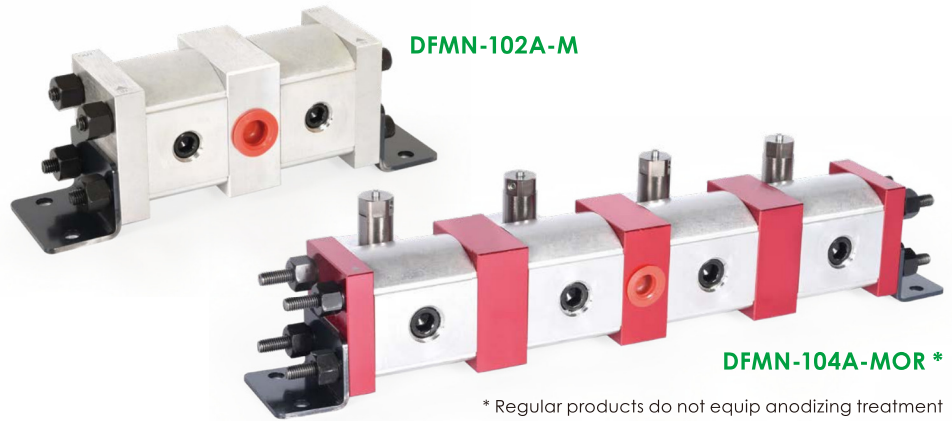


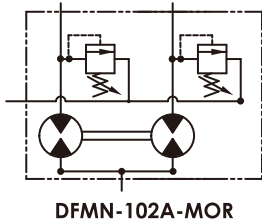
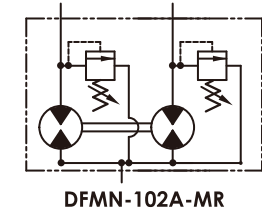
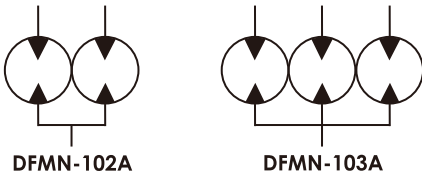
# DFMN-102A

- Displacement : 2~7.8 cc/rev
- Max. Pressure : 210 kgf/cm<sup>2</sup>  
( 3000psi )

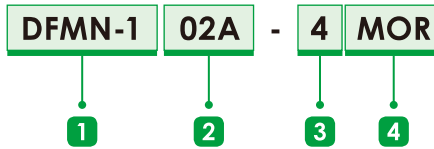


\* Regular products do not equip anodizing treatment surface. Customized service can be provided.

## SCHEMATIC SYMBOL



## ORDER CODES

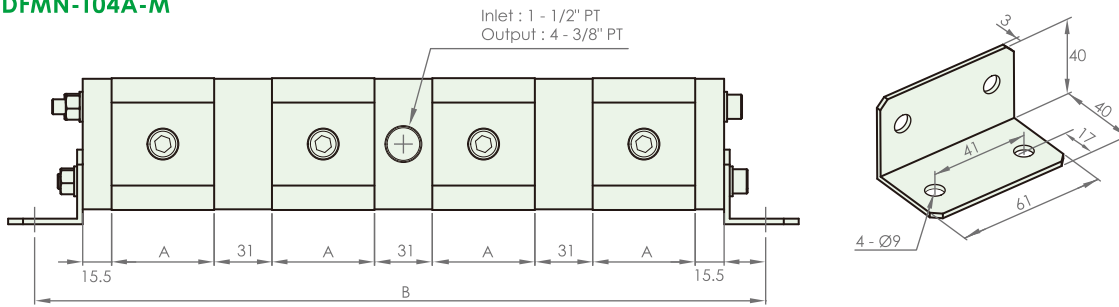
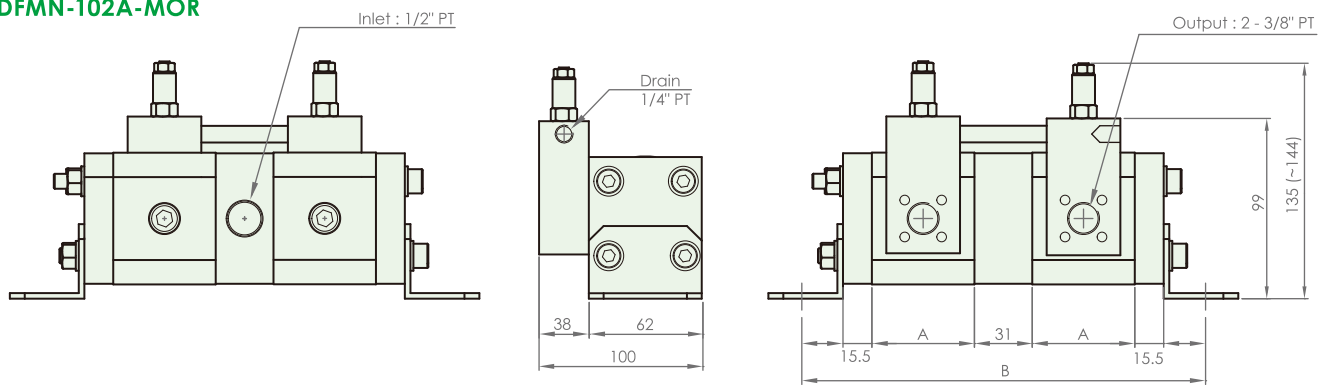
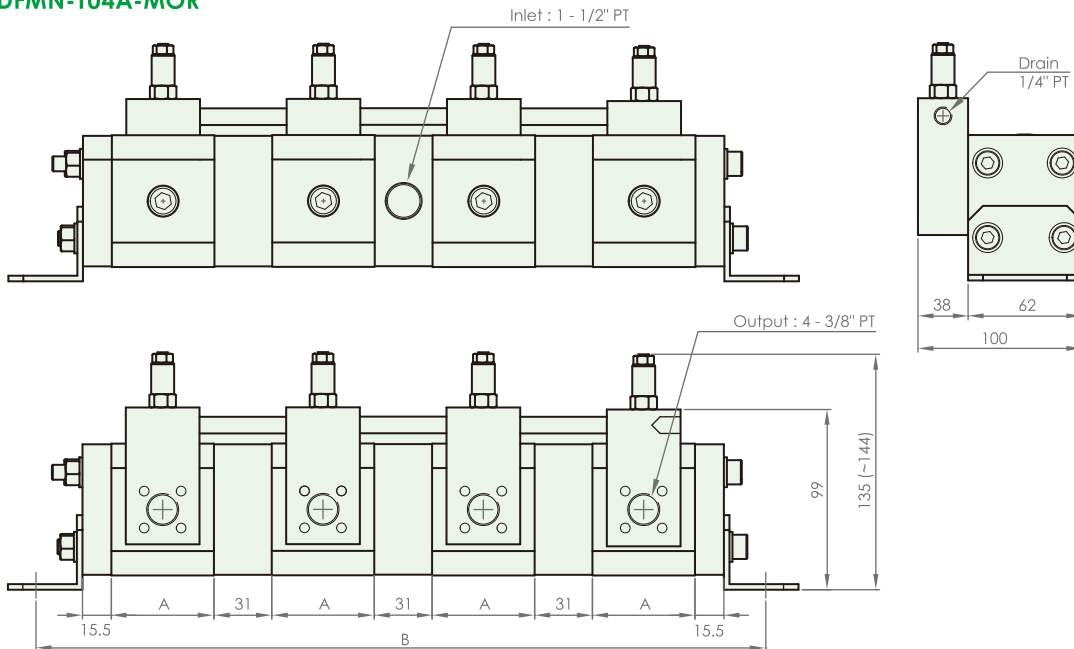


<b>1</b> Model Name	DFMN-1	
<b>2</b> Stations	<b>02A</b>	2 stations
	<b>03A</b>	3 stations
	<b>04A</b>	4 stations
	<b>05A</b>	5 stations
	<b>06A</b>	6 stations
	<b>07A</b>	7 stations
	<b>3</b> Flow Rate	2, 3, 4, 6, 8
<b>4</b> Functional Type	<b>M</b>	synchronous flow divider
	<b>MR</b>	with internal drain relief valve
	<b>MOR</b>	with external drain relief valve

## SPECIFICATIONS

Model	Accurate Displacement Capacity ( cc/rev )	Operational Pressure ( kgf/cm <sup>2</sup> )	Speed ( r.p.m. )		Ports Size ( PT )	
			Loaded	Unloaded	Inlet	Outlet
DFMN-10*A-2M	2	210	1000	2000	1/2"	3/8"
DFMN-10*A-3M	3	210	1000	2000	1/2"	3/8"
DFMN-10*A-4M	4	210	1000	2000	1/2"	3/8"
DFMN-10*A-6M	6	210	1000	2000	1/2"	3/8"
DFMN-10*A-8M	7.8	210	1000	2000	1/2"	3/8"

\* The initial pressure : 30kgf/cm<sup>2</sup>

**DIMENSIONS (unit : mm)**
**DFMN-104A-M**

**DFMN-102A-MOR**

**DFMN-104A-MOR**


Model	A	B		
		102A	103A	104A
2M	39.6	187.2	257.8	328.4
3M	45	198	274	350
4M	47	202	280	358
6M	55	218	304	390
8M	61	230	322	414

\* If you need customized services, please contact the local distributors to obtain the further information.