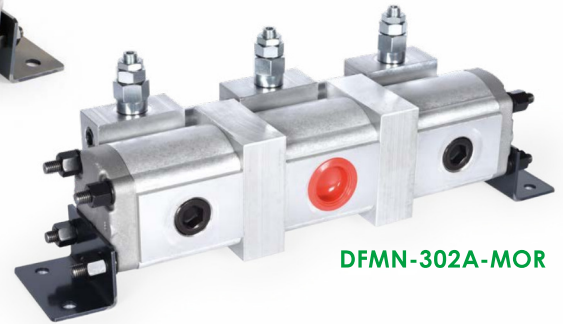


DFMN-302A

- Displacement : 4~35 cc/rev
- Max. Pressure : 210 kgf/cm²
(3000psi)

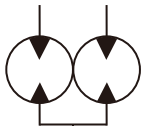


DFMN-302A-M

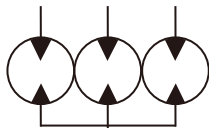


DFMN-302A-MOR

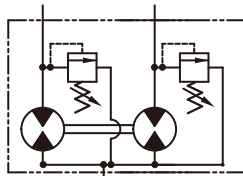
SCHEMATIC SYMBOL



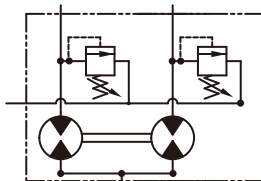
DFMN-302A



DFMN-303A

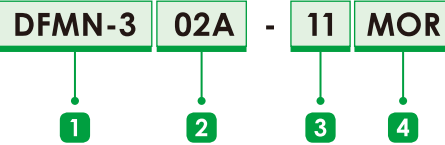


DFMN-302A-MR



DFMN-302A-MOR

ORDER CODES



1 Model Name	DFMN-3	
2 Stations	02A	2 stations
	03A	3 stations
	04A	4 stations
	05A	5 stations
	06A	6 stations
	07A	7 stations
	3 Flow Rate	4, 6, 8, 11, 13, 14, 17, 19, 23, 25, 28, 30, 35
4 Functional Type	M	synchronous flow divider
	MR	with internal drain relief valve
	MOR	with external drain relief valve

SPECIFICATIONS

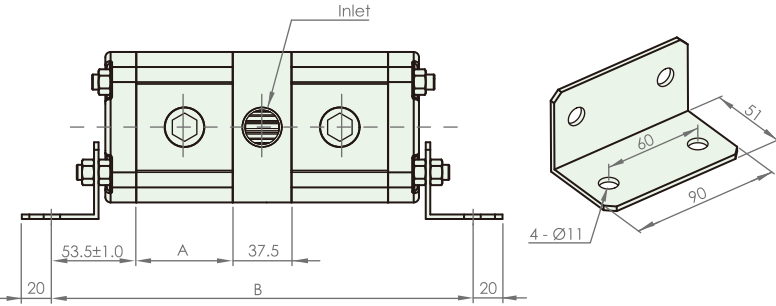
Model	Accurate Displacement Capacity (cc/rev)	Operational Pressure (kgf/cm ²)	Speed (r.p.m.)		Ports Size (PT)	
			Loaded	Unloaded	Inlet	Outlet
DFMN-30*A-4M	4	210	1000	2000	3/4"	1/2"
DFMN-30*A-6M	6	210	1000	2000	3/4"	1/2"
DFMN-30*A-8M	8.4	210	1000	2000	3/4"	1/2"
DFMN-30*A-11M	11	210	1000	2000	3/4"	1/2"
DFMN-30*A-13M	13	210	1000	2000	3/4"	1/2"
DFMN-30*A-14M	14.3	210	1000	2000	3/4"	1/2"
DFMN-30*A-17M	16.5	210	1000	2000	3/4"	1/2"
DFMN-30*A-19M	19.2	210	1000	2000	3/4"	1/2"
DFMN-30*A-23M	23	210	1000	2000	3/4"	1/2"
DFMN-30*A-25M	25	210	1000	2000	3/4"	3/4"
DFMN-30*A-28M	28	210	1000	2000	3/4"	3/4"
DFMN-30*A-30M	30	210	1000	2000	3/4"	3/4"
DFMN-30*A-35M	35	210	1000	2000	3/4"	3/4"

* The initial pressure : 30kgf/cm²

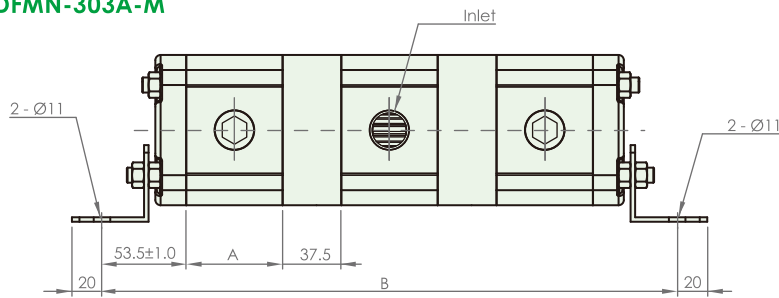
Model	Weight (kg)						
	DFMN	302A	303A	304A	305A	306A	307A
4M		4.83	7.06	9.32	11.47	13.68	15.89
6M		4.99	7.30	9.68	11.87	14.16	16.45
8M		5.15	7.54	9.96	12.27	14.64	17.01
11M		5.45	7.99	10.50	13.02	15.54	18.06
13M		5.65	8.29	10.90	13.52	16.14	18.76
14M		5.77	8.47	11.15	13.82	16.5	19.18
17M		6.02	8.83	11.58	14.37	17.16	19.95
19M		6.23	9.16	12.06	14.97	17.88	20.79
23M		6.60	9.76	12.86	15.97	19.08	22.19
25M		6.73	9.91	13.10	16.27	19.45	22.64
28M		6.95	10.24	13.55	16.85	20.10	23.41
30M		7.15	10.54	13.96	17.32	20.71	24.10
35M		7.67	11.32	14.99	18.63	22.27	25.92

DIMENSIONS (unit : mm)

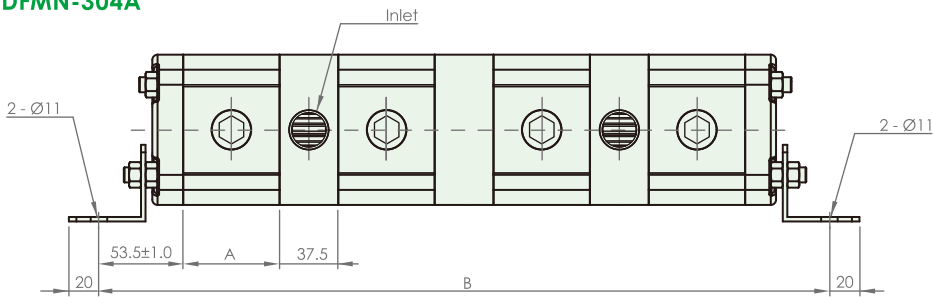
DFMN-302A-M



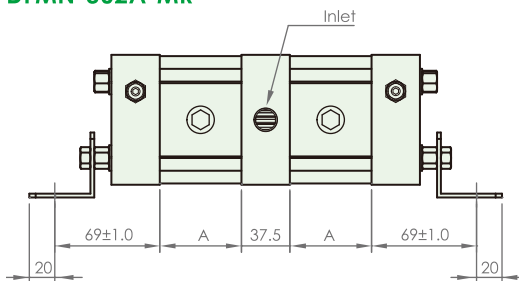
DFMN-303A-M



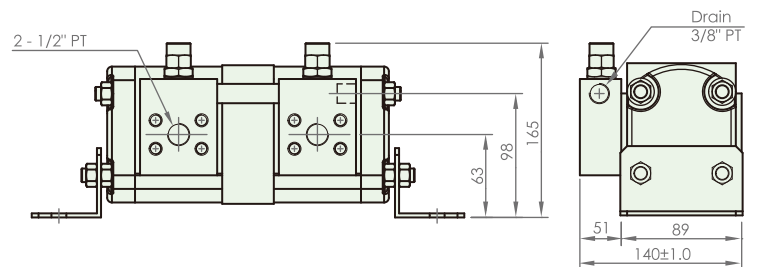
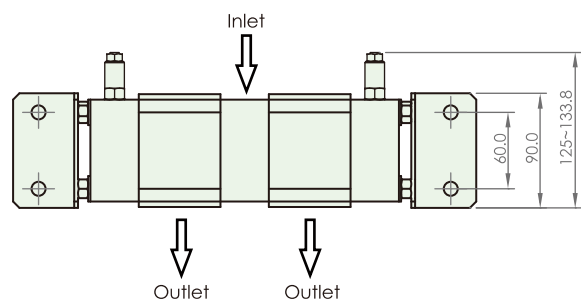
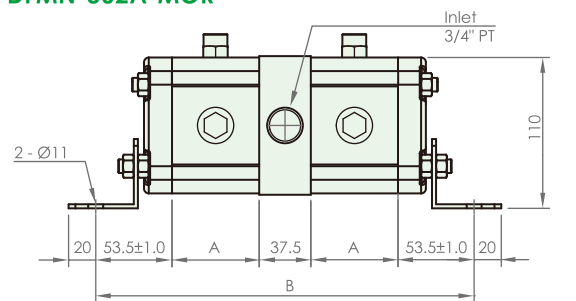
DFMN-304A

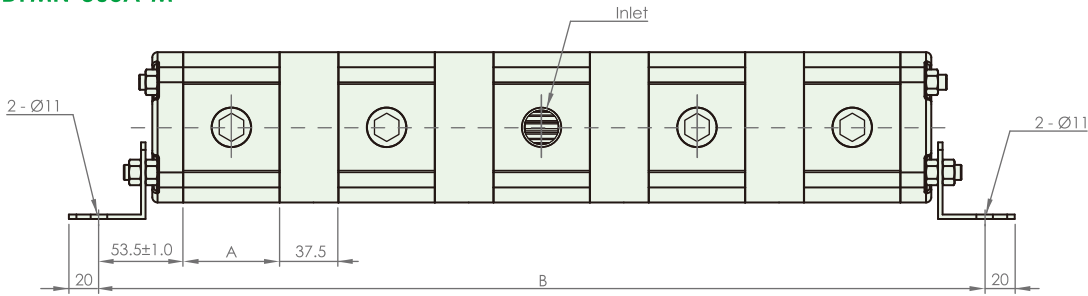
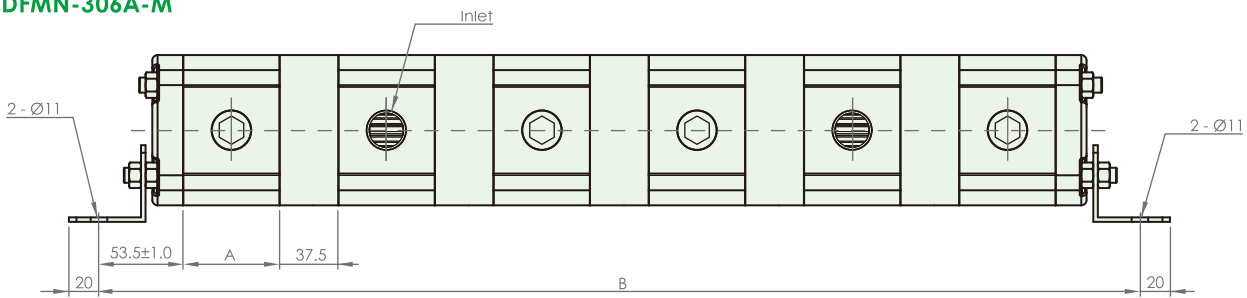
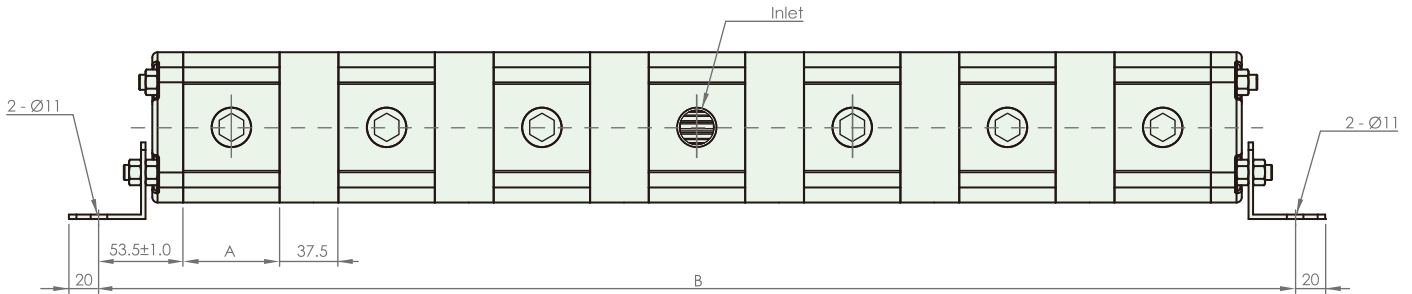


DFMN-302A-MR



DFMN-302A-MOR



DIMENSIONS (unit : mm)
DFMN-305A-M

DFMN-306A-M

DFMN-307A-M


Model	A	B					
		302A	303A	304A	305A	306A	307A
4M	49	242.5	329	415.5	502	588.5	675
6M	52	248.5	338	427.5	517	606.5	696
8M	55	254.5	347	439.5	532	624.5	717
11M	60	264.5	362	459.5	557	654.5	752
13M	64	272.5	374	475.5	577	678.5	780
14M	66	276.5	380	483.5	587	690.5	794
17M	70	284.5	392	499.5	607	714.5	822
19M	74	292.5	404	515.5	627	738.5	850
23M	81	306.5	425	543.5	662	780.5	899
25M	84	312.5	434	555.5	677	798.5	920
28M	88	320.5	446	571.5	697	822.5	948
30M	92	328.5	458	587.5	717	846.5	976
35M	102	348.5	488	627.5	767	906.5	1046

* If you need customized services, please contact the local distributors to obtain the further information.