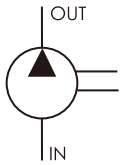


HGP-3AI

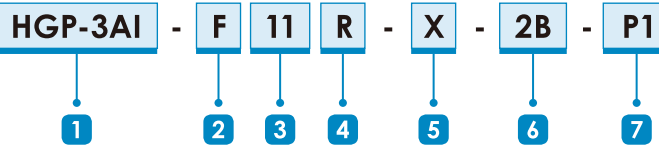
- ▶ Displacement : 4~35 cc/rev
- ▶ Max. Pressure : 280 kgf/cm²
(3920psi)
- ▶ Flange : SAE 2-bolt, DIN 4-bolt



SCHEMATIC SYMBOL



ORDER CODES

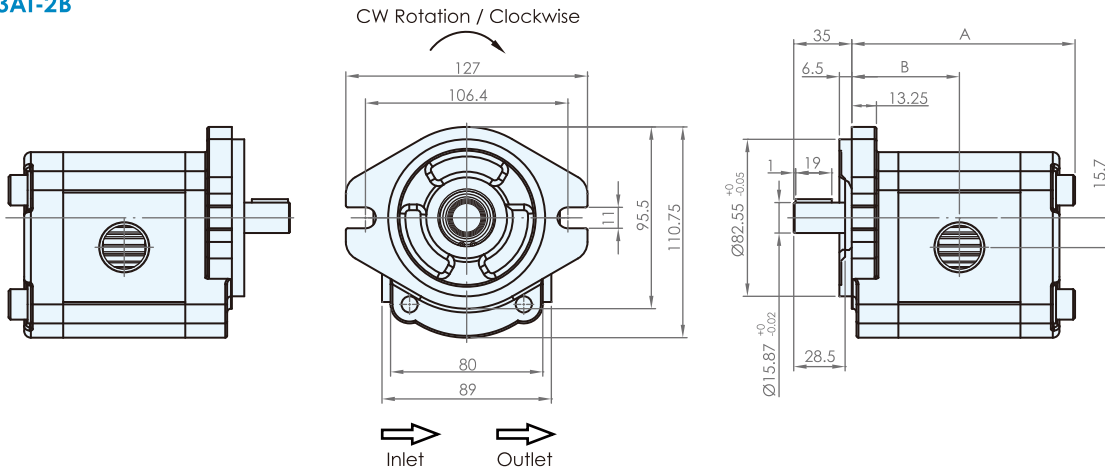
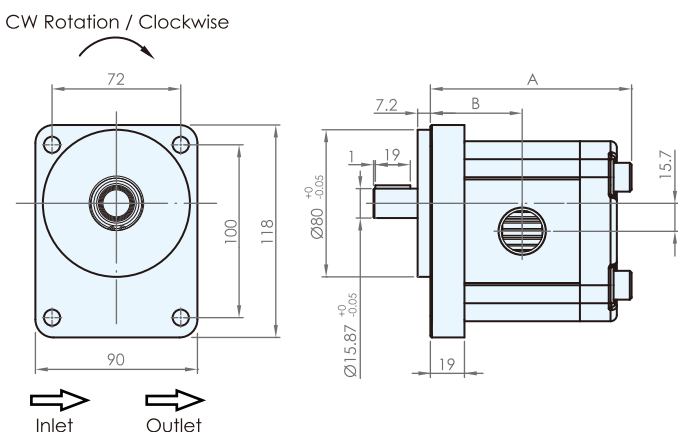


1 Model Name	HGP-3AI	
2 Mounting	F	flange type
	L	foot type
3 Delivery Capacity	4, 6, 8, 11, 13, 14, 17, 19, 23, 25, 28, 30, 33, 35	
4 Rotation Direction	R	clockwise
	L	counter - clockwise
5 Shaft Type	X: straight shaft Y: spline shaft Z: taper shaft	
6 Flange Mounting Type	2B	SAE 2-bolt
	4BD	DIN 4-bolt
7 Inlet and Outlet *	F: flange type(F1~F6) G: PF, G, BSPP(G1~G2) P: PT(P1~P2) N: NPT(N1~N2) U: UNF(U1~U2)	

* The dimension of shafts and inlet & outlet sizes please refer to Page 19.

SPECIFICATIONS

Model	Accurate Displacement Capacity (cc/rev)	Operational Pressure (kgf/cm ²)	Max. Pressure (kgf/cm ²)	Speed (r.p.m.)			Weight (kg)
				Rate	Max.	Min.	
HGP-3AI-4	4	240	280	1800	4000	700	3.79
HGP-3AI-6	6	240	280	1800	4000	700	3.87
HGP-3AI-8	8.4	240	280	1800	3500	700	3.95
HGP-3AI-11	11	240	280	1800	3000	600	4.10
HGP-3AI-13	13	240	280	1800	3000	600	4.20
HGP-3AI-14	14.3	240	280	1800	3000	500	4.26
HGP-3AI-17	16.5	240	280	1800	3000	500	4.37
HGP-3AI-19	19.2	240	280	1800	3000	500	4.49
HGP-3AI-23	23	240	280	1800	3000	500	4.69
HGP-3AI-25	25	205	240	1800	2800	500	4.74
HGP-3AI-28	28	205	240	1800	2500	500	4.85
HGP-3AI-30	30	205	240	1800	2500	500	4.95
HGP-3AI-33	33	170	205	1200	2500	500	5.10
HGP-3AI-35	35	155	170	1200	2500	500	5.21

DIMENSIONS (unit : mm)
HGP-3AI-2B

HGP-3AI-4BD


Model	A	B	Model	A	B
HGP-3AI-4-4BD	101	43.5	HGP-3AI-4-2B	101	48.5
HGP-3AI-6-4BD	105	45	HGP-3AI-6-2B	105	50
HGP-3AI-8-4BD	109	46.5	HGP-3AI-8-2B	109	51.5
HGP-3AI-11-4BD	113	49	HGP-3AI-11-2B	113	54
HGP-3AI-13-4BD	117	51	HGP-3AI-13-2B	117	56
HGP-3AI-14-4BD	119	52	HGP-3AI-14-2B	119	57
HGP-3AI-17-4BD	123	54	HGP-3AI-17-2B	123	59
HGP-3AI-19-4BD	127	56	HGP-3AI-19-2B	127	61
HGP-3AI-23-4BD	134	60	HGP-3AI-23-2B	134	65
HGP-3AI-25-4BD	137	61	HGP-3AI-25-2B	137	66
HGP-3AI-28-4BD	141	63	HGP-3AI-28-2B	141	68
HGP-3AI-30-4BD	145	65	HGP-3AI-30-2B	145	70
HGP-3AI-33-4BD	150	68	HGP-3AI-33-2B	150	73
HGP-3AI-35-4BD	154	70	HGP-3AI-35-2B	154	75