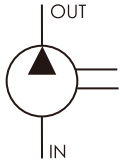


HGP-4A

- ▶ Displacement : 20~60 cc/rev
- ▶ Max. Pressure : 300 kgf/cm²
(4200psi)
- ▶ Flange : SAE 2-bolt



SCHEMATIC SYMBOL



ORDER CODES

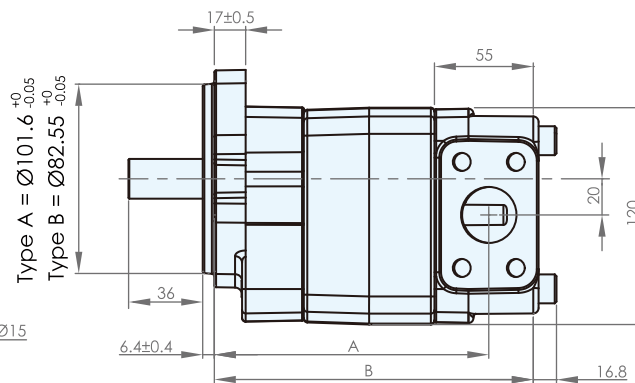
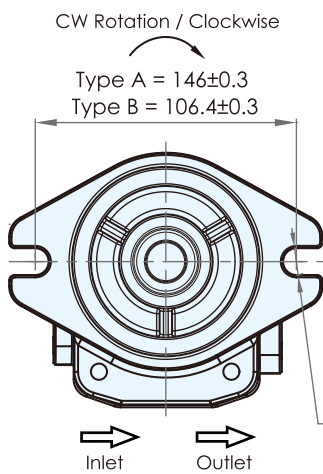
HGP-4A	-	F	23	R	-	Y1	-	2BB	-	P1
1		2	3	4		5		6		7

1 Model Name	HGP-4A	
2 Mounting	F	flange type
3 Delivery Capacity	20, 23, 25, 28, 32, 36, 40, 45, 50, 55, 60	
4 Rotation Direction	R	clockwise
	L	counter - clockwise
5 Shaft Type *	X: straight shaft Y: spline shaft Z: taper shaft	
6 Flange Mounting Type	2BA	SAE 2-bolt (type A)
	2BB	SAE 2-bolt (type B)
7 Inlet and Outlet *	F: flange type(F1~F2) P: PT(P1~P2)	G: PF, G, BSPP(G1~G2) N: NPT(N1~N2)

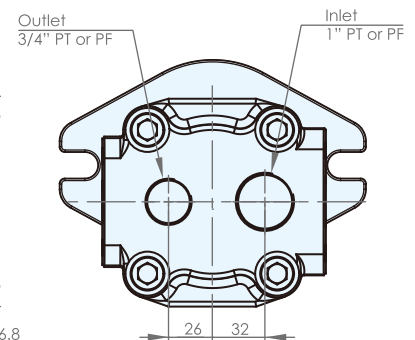
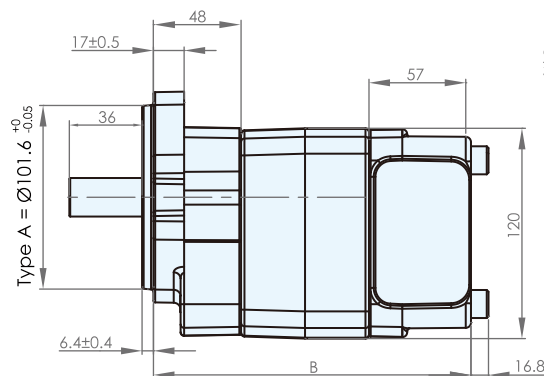
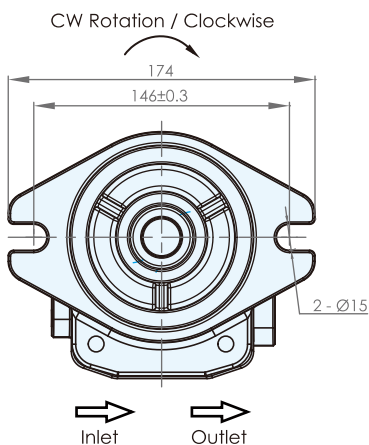
* The dimension of shafts and inlet & outlet sizes please refer to Page 29.

SPECIFICATIONS

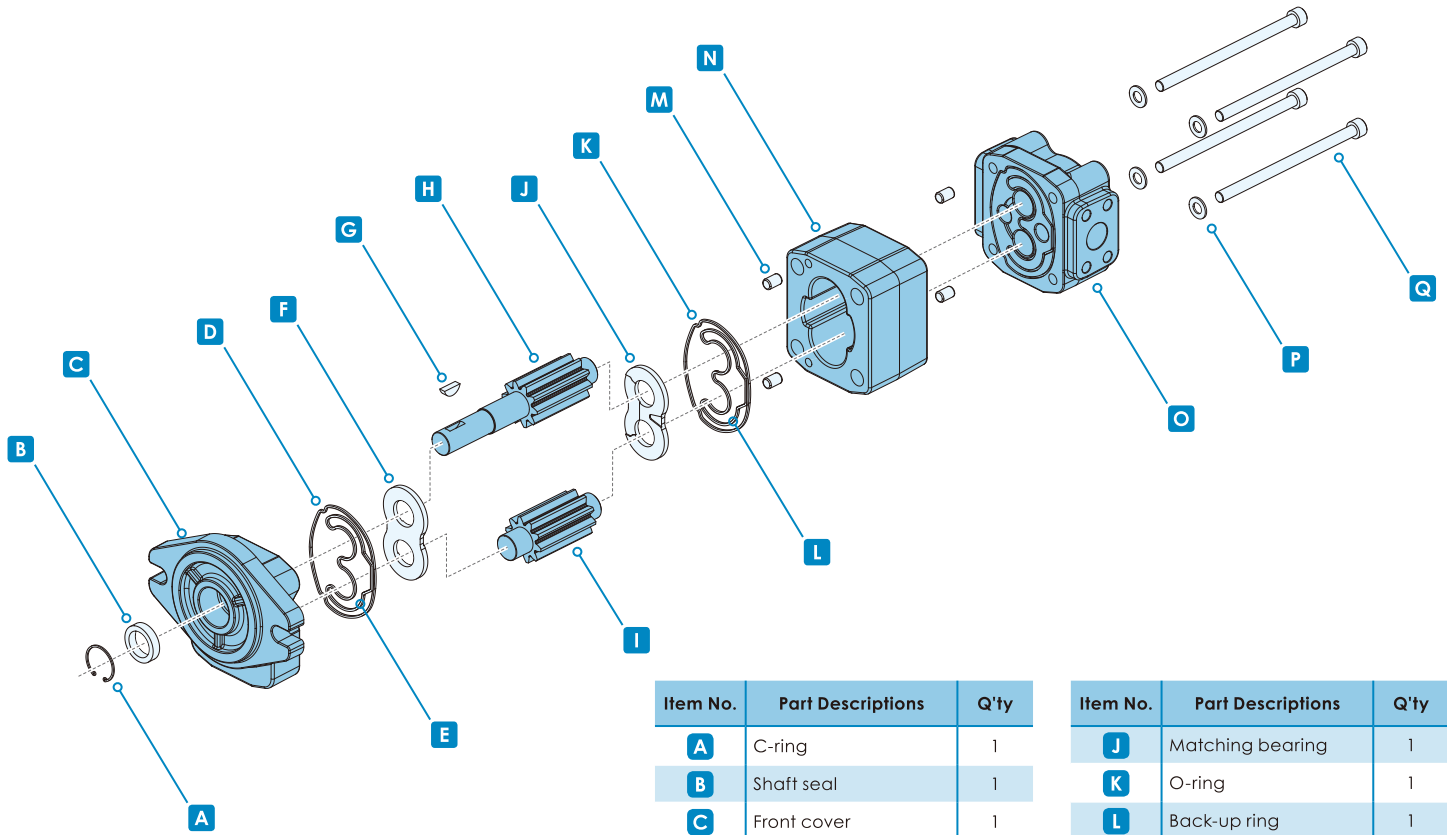
Model	Accurate Displacement Capacity (cc/rev)	Operational Pressure (kgf/cm ²)	Max. Pressure (kgf/cm ²)	Speed (r.p.m.)		Weight (kg)
				Loaded	Unloaded	
HGP-4A-20	20	250	300	600	3000	4.1
HGP-4A-23	22.5	250	300	600	3000	4.6
HGP-4A-25	25	250	300	600	3000	5.1
HGP-4A-28	28	250	300	600	3000	5.7
HGP-4A-32	31.5	250	300	600	3000	6.4
HGP-4A-36	35.5	210	250	600	3000	7.1
HGP-4A-40	40	210	250	600	3000	8.0
HGP-4A-45	45	210	250	600	2600	8.8
HGP-4A-50	50	175	210	600	2500	9.7
HGP-4A-55	55	175	210	600	2400	10.7
HGP-4A-60	60	140	175	600	2000	11.8

DIMENSIONS (unit : mm)
HGP-4A-2B


Model	A	B
HGP-4A-20	108.4	135.9
HGP-4A-23	110.9	138
HGP-4A-25	113.3	140.8
HGP-4A-28	116.3	143.8
HGP-4A-32	119.8	147.2
HGP-4A-36	123.7	151.2
HGP-4A-40	128.2	155.6
HGP-4A-45	133.1	160.6
HGP-4A-50	138	165.5
HGP-4A-55	143.4	170.9
HGP-4A-60	148.4	175.9

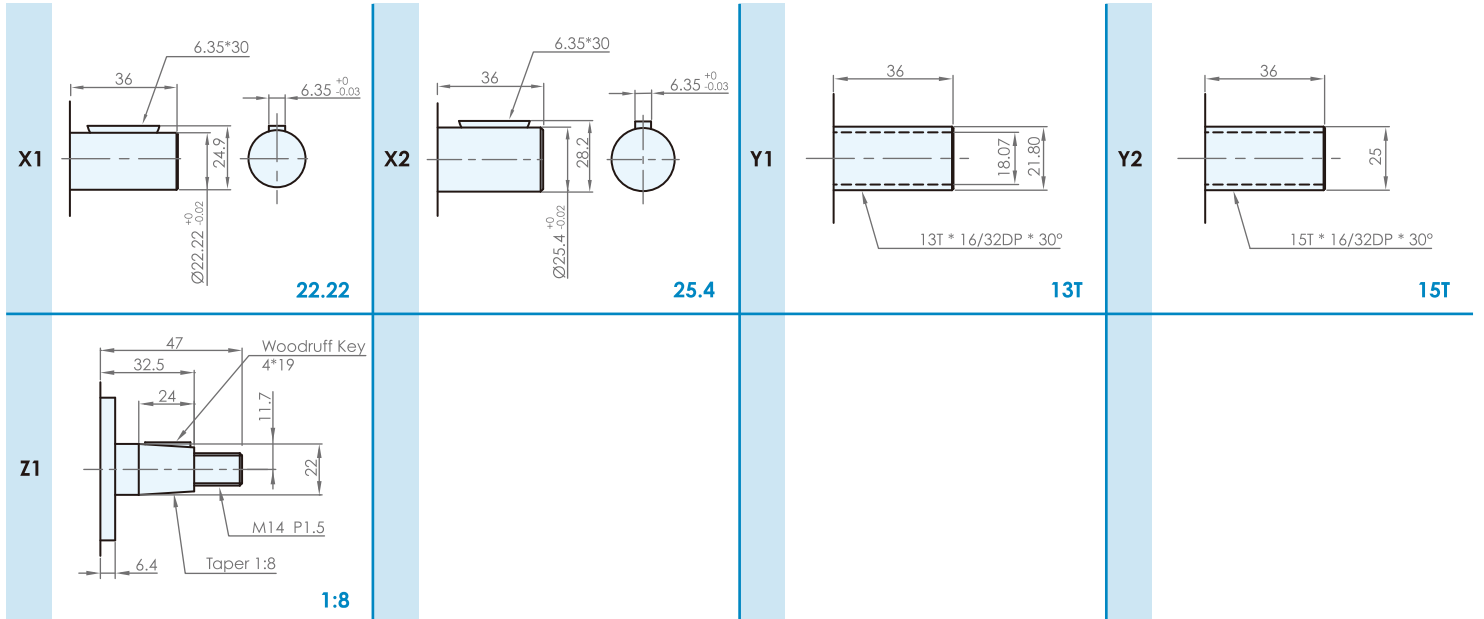
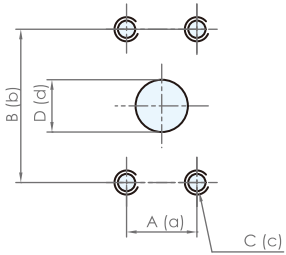
HGP-4A (rear ports, customized)


DECOMPOSITION CHARTS

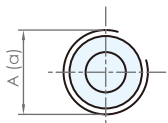


Item No.	Part Descriptions	Q'ty
A	C-ring	1
B	Shaft seal	1
C	Front cover	1
D	O-ring	1
E	Back-up ring	1
F	Matching bearing	1
G	Woodruff key	1
H	Drive gear	1
I	Driven gear	1

Item No.	Part Descriptions	Q'ty
J	Matching bearing	1
K	O-ring	1
L	Back-up ring	1
M	Lock pin	4
N	Housing	1
O	Rear cover	1
P	Bolt washer	4
Q	Bolt	4

ADDITIONAL DIMENSION (unit : mm)
Dimension of Shaft

Inlet and Outlet Size

Flange Type

Code	Inlet				Outlet			
	A	B	C	D	a	b	c	d
F1	26.2	52.4	M10	25	22.2	47.6	M10	18.5
F2	30.2	58.7	M10	30	26.2	52.4	M10	25


PF (G, BSPP)

Code	Inlet	Outlet
	A	a
G1	G 1"	G 3/4"
G2	G 1 1/4"	G 1"

PT (BSPT)

Code	Inlet	Outlet	Applicable Model
	A	a	
P1	1" PT	3/4" PT	4A-20 ~ 36
P2	1 1/4" PT	1" PT	4A-40 ~ 60

NPT

Code	Inlet	Outlet	Applicable Model
	A	a	
N1	1" PT	3/4" PT	4A-20 ~ 36
N2	1 1/4" PT	1" PT	4A-40 ~ 60