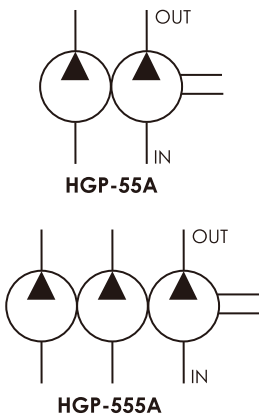


# HGP-55A

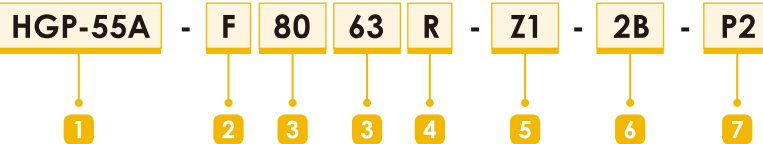
- Displacement : 22~90 cc/rev (single)
- Max. Pressure : 300 kgf/cm<sup>2</sup>  
( 4200psi )
- Flange : SAE 2-bolt, DIN 4-bolt



## SCHEMATIC SYMBOL



## ORDER CODES



<b>1</b> Model Name	HGP-55A, HGP-555A	
<b>2</b> Mounting	F	flange type
	L	foot type
<b>3</b> Delivery Capacity	22, 26, 33, 44, 50, 55, 63, 70, 75, 80, 90	
<b>4</b> Rotation Direction	R	clockwise
	L	counter - clockwise
<b>5</b> Shaft Type	X: straight shaft    Y: spline shaft    Z: taper shaft	
<b>6</b> Flange Mounting Type	2B	SAE 2-bolt
	4BD	DIN 4-bolt
<b>7</b> Inlet and Outlet *	F: flange type(F1~F6) P: PT(P1)    N: NPT(N1)	G: PF, G, BSPP(G1) U: UNF(U1~U2)

\* The dimension of shafts and inlet & outlet sizes please refer to Page 33.

## SPECIFICATIONS

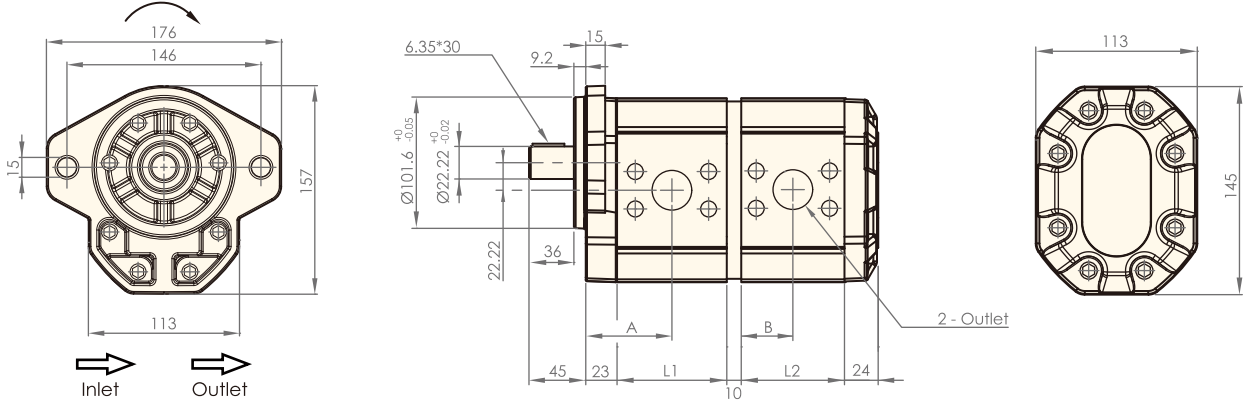
Model	Accurate Displacement Capacity (cc/rev)	Operational Pressure (kgf/cm <sup>2</sup> )	Max. Pressure (kgf/cm <sup>2</sup> )	Speed (r.p.m.)		Weight (kg)
				Loaded	Unloaded	
HGP-55A-2222	22+22	250	300	3000	700	11.22
HGP-55A-2626	26+26	250	300	3000	700	11.38
HGP-55A-3333	33+33	250	300	3000	700	11.66
HGP-55A-4444	44+44	210	250	3000	700	12.10
HGP-55A-5050	50+50	210	250	3000	700	12.36
HGP-55A-5555	55+55	210	250	3000	700	12.54
HGP-55A-6363	63+63	210	250	3000	600	12.86
HGP-55A-7070	70+70	180	210	3000	600	13.14
HGP-55A-7575	75+75	180	210	3000	600	13.34
HGP-55A-8080	80+80	170	200	3000	600	13.54
HGP-55A-9090	90+90	160	190	2500	600	13.94

\* We provide many options to meet your displacement inquiries of tandem gear pumps, such as HGP-55A-8063 (80+63 cc/rev).

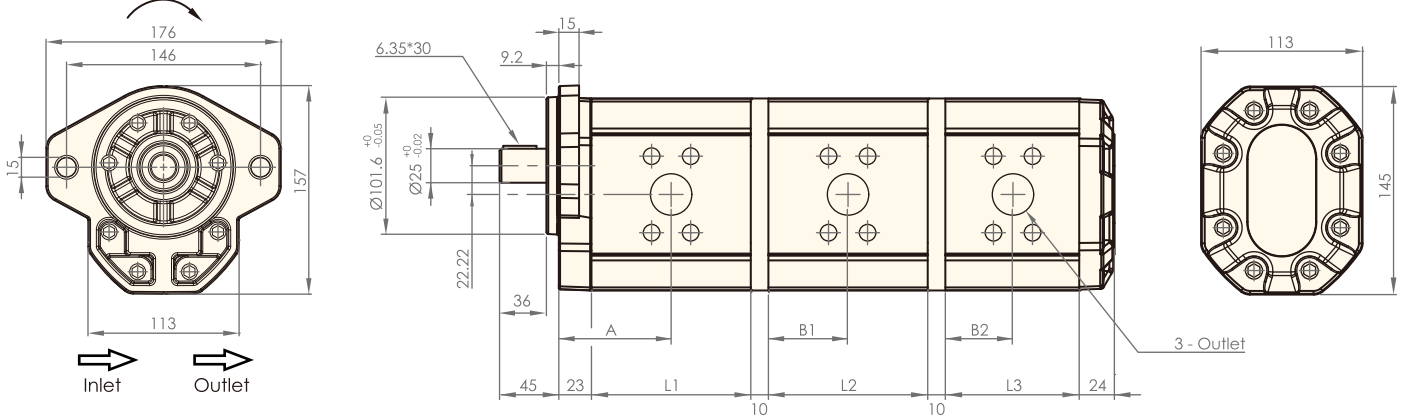
**DIMENSIONS** (unit : mm)

**HGP-55A-2B**

CW Rotation / Clockwise


**HGP-555A-2B**

CW Rotation / Clockwise



Model	L1, L2	A	B	Model	L1, L2, L3	A	B
HGP-55A-22	68	57	34	HGP-555A-22	68	57	34
HGP-55A-26	71	58.5	35.5	HGP-555A-26	71	58.5	35.5
HGP-55A-33	76	61	38	HGP-555A-33	76	61	38
HGP-55A-44	84	65	42	HGP-555A-44	84	65	42
HGP-55A-50	88	67	44	HGP-555A-50	88	67	44
HGP-55A-55	92	69	46	HGP-555A-55	92	69	46
HGP-55A-63	98	72	49	HGP-555A-63	98	72	49
HGP-55A-70	103	74.5	51.5	HGP-555A-70	103	74.5	51.5
HGP-55A-75	106	76	53	HGP-555A-75	106	76	53
HGP-55A-80	110	78	55	HGP-555A-80	110	78	55
HGP-55A-90	117	81.5	58.5	HGP-555A-90	117	81.5	58.5

**HGP-555A-4BD**

CW Rotation / Clockwise

