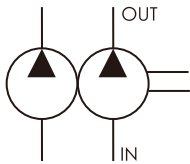


HGP-55AI

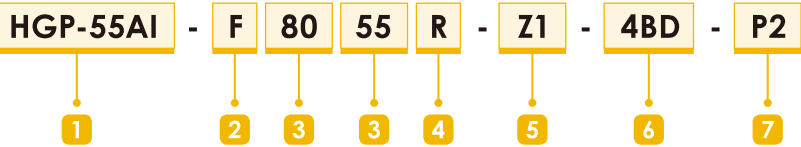
- ▶ Displacement : 22~90 cc/rev (single)
- ▶ Max. Pressure : 300 kgf/cm²
(4200psi)
- ▶ Flange : DIN 4-bolt



SCHEMATIC SYMBOL



ORDER CODES



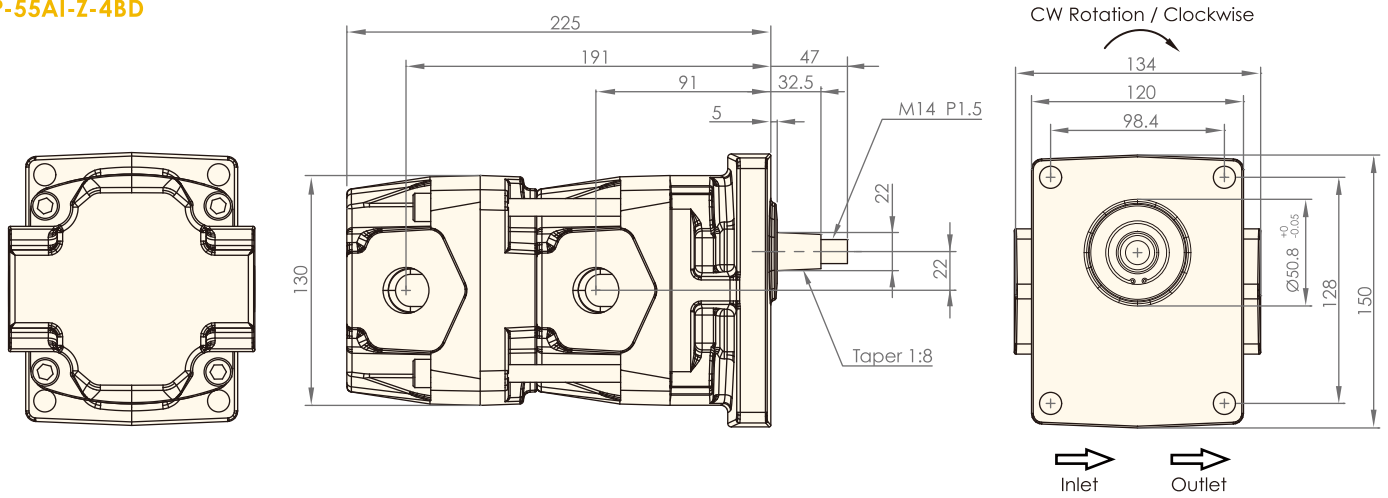
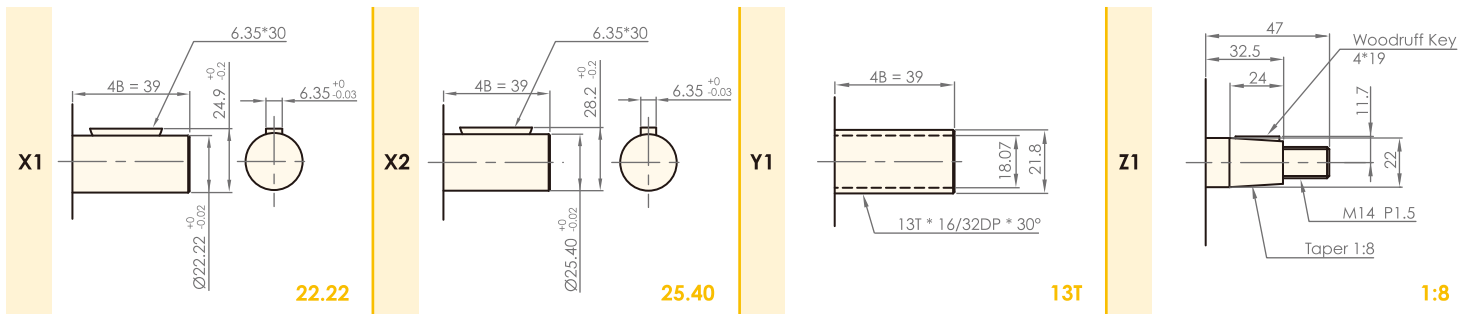
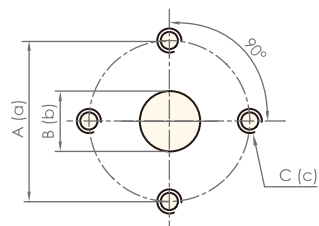
1 Model Name	HGP-55AI	
2 Mounting	F	flange type
3 Delivery Capacity	22, 26, 33, 44, 48, 55, 63, 75, 80, 90	
4 Rotation Direction	R	clockwise
	L	counter - clockwise
5 Shaft Type	X: straight shaft	Y: spline shaft Z: taper shaft
6 Flange Mounting Type	4BD	DIN 4-bolt
7 Inlet and Outlet *	F: flange type(F1~F7) G: PF, G, BSPP(G1~G4) P: PT(P1~P2) N: NPT(N1~N2) U: UNF(U1~U6)	

* The dimension of shafts and inlet & outlet sizes please refer to Page 57.

SPECIFICATIONS

Model	Accurate Displacement Capacity (cc/rev)	Operational Pressure (kgf/cm ²)	Max. Pressure (kgf/cm ²)	Speed (r.p.m.)		Weight (kg)
				Loaded	Unloaded	
HGP-55AI-2222	22+22	280	300	3000	500	14.57
HGP-55AI-2626	26+26	280	300	3000	500	14.73
HGP-55AI-3333	33+33	280	300	3000	500	15.01
HGP-55AI-4444	44+44	240	300	3000	500	15.45
HGP-55AI-4848	48+48	240	300	3000	500	15.61
HGP-55AI-5555	55+55	210	250	3000	500	15.89
HGP-55AI-6363	63+63	190	240	2750	500	16.21
HGP-55AI-7575	75+75	170	210	2750	500	16.69
HGP-55AI-8080	80+80	170	210	2500	500	16.89
HGP-55AI-9090	90+90	150	180	2500	500	17.29

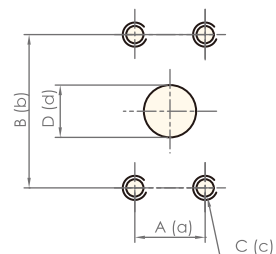
* We provide many options to meet your displacement inquiries of tandem gear pumps, such as HGP-55AI-6348 (63+48 cc/rev).

DIMENSIONS (unit : mm)
HGP-55AI-Z-4BD

ADDITIONAL DIMENSION (unit : mm)
Dimension of Shaft

Inlet and Outlet Size

Flange Type

Code	Inlet			Outlet		
	A	B	C	a	b	c
F1	40	22	M8	40	22	M8
F2	51	27	M10	51	27	M10
F3	62	34	M10	62	34	M10

UNF

Code	Inlet	Outlet
	A	a
U1	1 1/16"-12UNF	1 1/16"-12UNF
U2	1 5/16"-12UNF	1 5/16"-12UNF
U3	1 5/8"-12UNF	1 5/8"-12UNF
U4	1 7/8"-13UNF	1 7/8"-13UNF
U5	1 1/16"-14UNF	1 1/16"-14UNF
U6	1 5/16"-14UNF	1 5/16"-14UNF


Flange Type

Code	Inlet				Outlet			
	A	B	C	D	a	b	c	d
F4	22.2	47.6	M10	18.5	22.2	47.6	M10	18.5
F5	26.2	52.4	M10	24	26.2	52.4	M10	24
F6	30.2	58.7	M10	30	30.2	58.7	M10	30
F7	35.7	69.8	M10	39	35.7	69.8	M10	39

PF (G, BSPP)

Code	Inlet	Outlet
	A	a
G1	G 3/4"	G 3/4"
G2	G 1"	G 1"
G3	G 1 1/4"	G 1 1/4"
G4	G 1 1/2"	G 1 1/2"

PT (BSPT)

Code	Inlet	Outlet	Applicable Model
	A	a	
P1	1" PT	3/4" PT	55AI-22 ~ 33
P2	1 1/4" PT	1" PT	55AI-44 ~ 90

NPT

Code	Inlet	Outlet	Applicable Model
	A	a	
N1	1" NPT	3/4" NPT	55AI-22 ~ 33
N2	1 1/4" NPT	1" NPT	55AI-44 ~ 90

