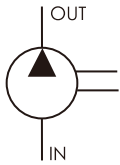


HGP-5A

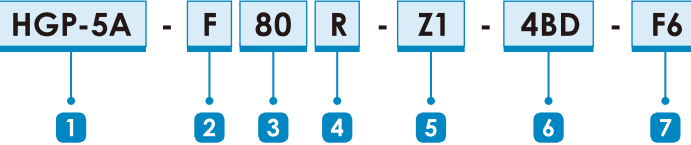
- Displacement : 22~90 cc/rev
- Max. Pressure : 300 kgf/cm²
(4200psi)
- Flange : SAE 2-bolt, DIN 4-bolt



SCHEMATIC SYMBOL



ORDER CODES



1	Model Name	HGP-5A	
2	Mounting	F	flange type
		L	foot type
3	Delivery Capacity	22, 26, 33, 44, 50, 55, 63, 70, 75, 80, 90	
4	Rotation Direction	R	clockwise
		L	counter - clockwise
		M	hydraulic motor *
5	Shaft Type *	X: straight shaft Y: spline shaft Z: taper shaft	
6	Flange Mounting Type	2B	SAE 2-bolt
		4BD	DIN 4-bolt
7	Inlet and Outlet *	F: flange type(F1~F6) G: PF, G, BSPP(G1) P: PT(P1) N: NPT(N1) U: UNF(U1~U2)	

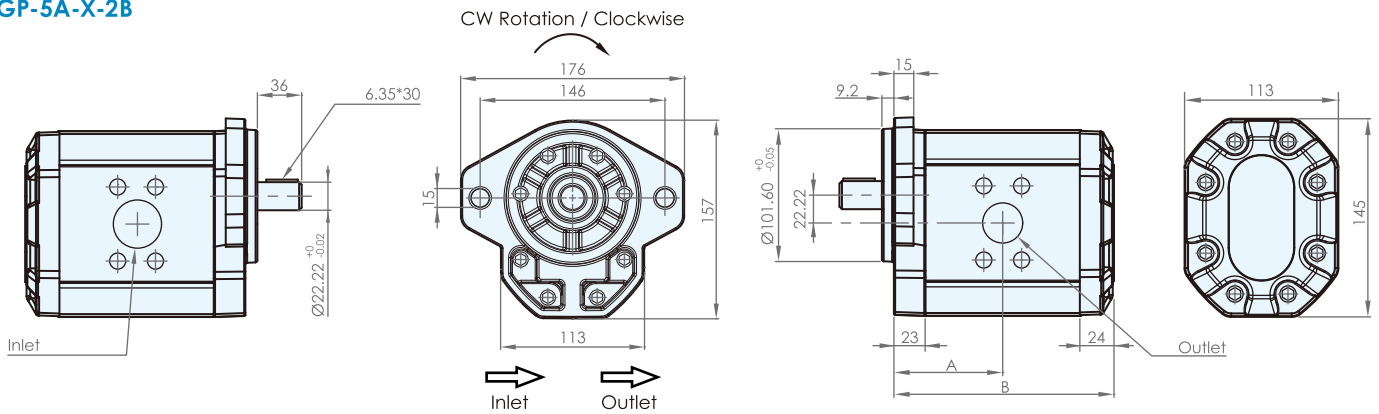
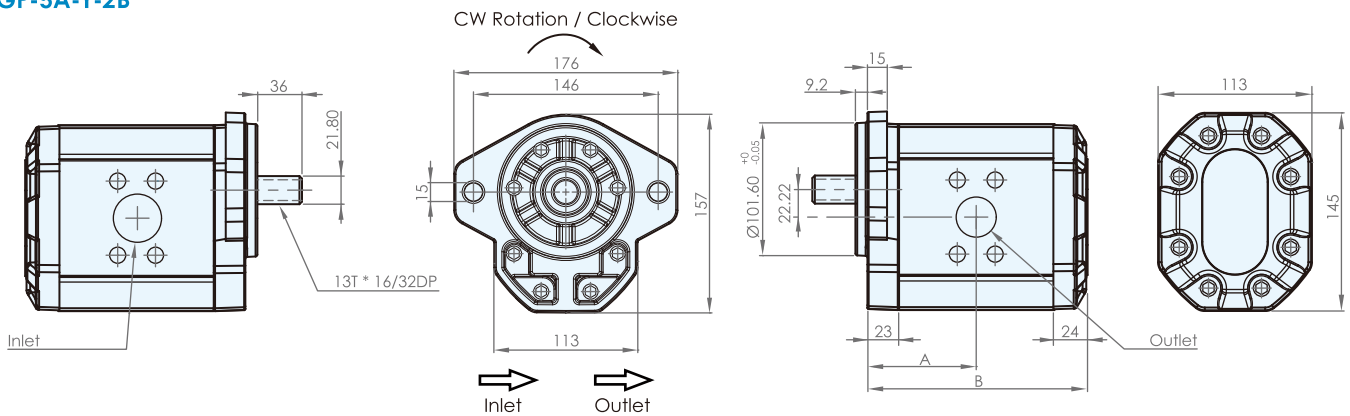
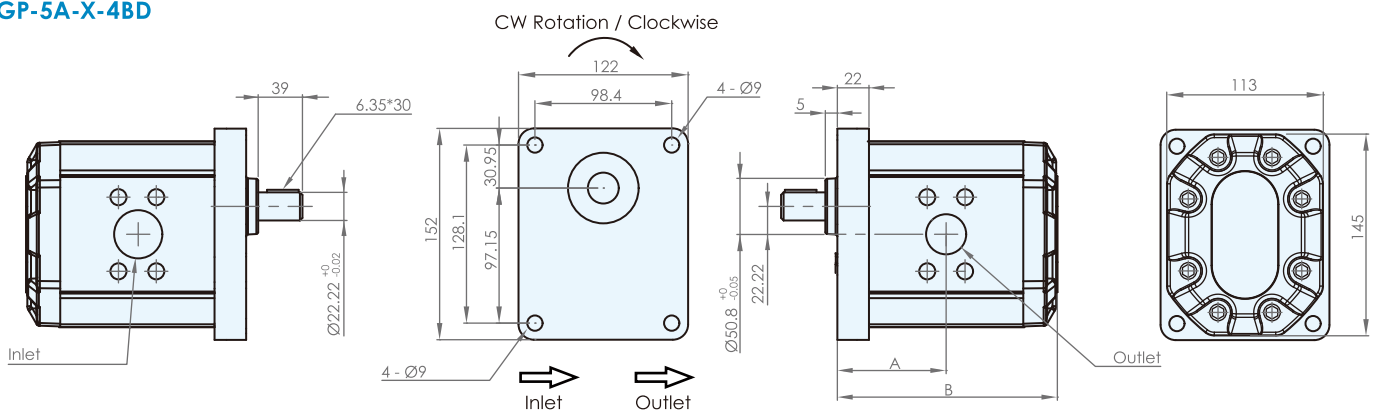
* The dimension of shafts and inlet & outlet sizes please refer to Page 33.

* Please contact the local distributors to obtain the specifications of hydraulic motors.

SPECIFICATIONS

Model	Accurate Displacement Capacity (cc/rev)	Operational Pressure (kgf/cm ²)	Max. Pressure (kgf/cm ²)	Speed (r.p.m.)		Weight (kg)
				Loaded	Unloaded	
HGP-5A-22	22	250	300	3000	700	5.61
HGP-5A-26	26	250	300	3000	700	5.69
HGP-5A-33	33	250	300	3000	700	5.83
HGP-5A-44	44	210	250	3000	700	6.05
HGP-5A-50	50	210	250	3000	700	6.18
HGP-5A-55	55	210	250	3000	700	6.27
HGP-5A-63	63	190	240	3000	600	6.43
HGP-5A-70	70	180	210	3000	600	6.57
HGP-5A-75	75	180	210	3000	600	6.67
HGP-5A-80	80	170	200	3000	600	6.77
HGP-5A-90	90	160	190	2500	600	6.97

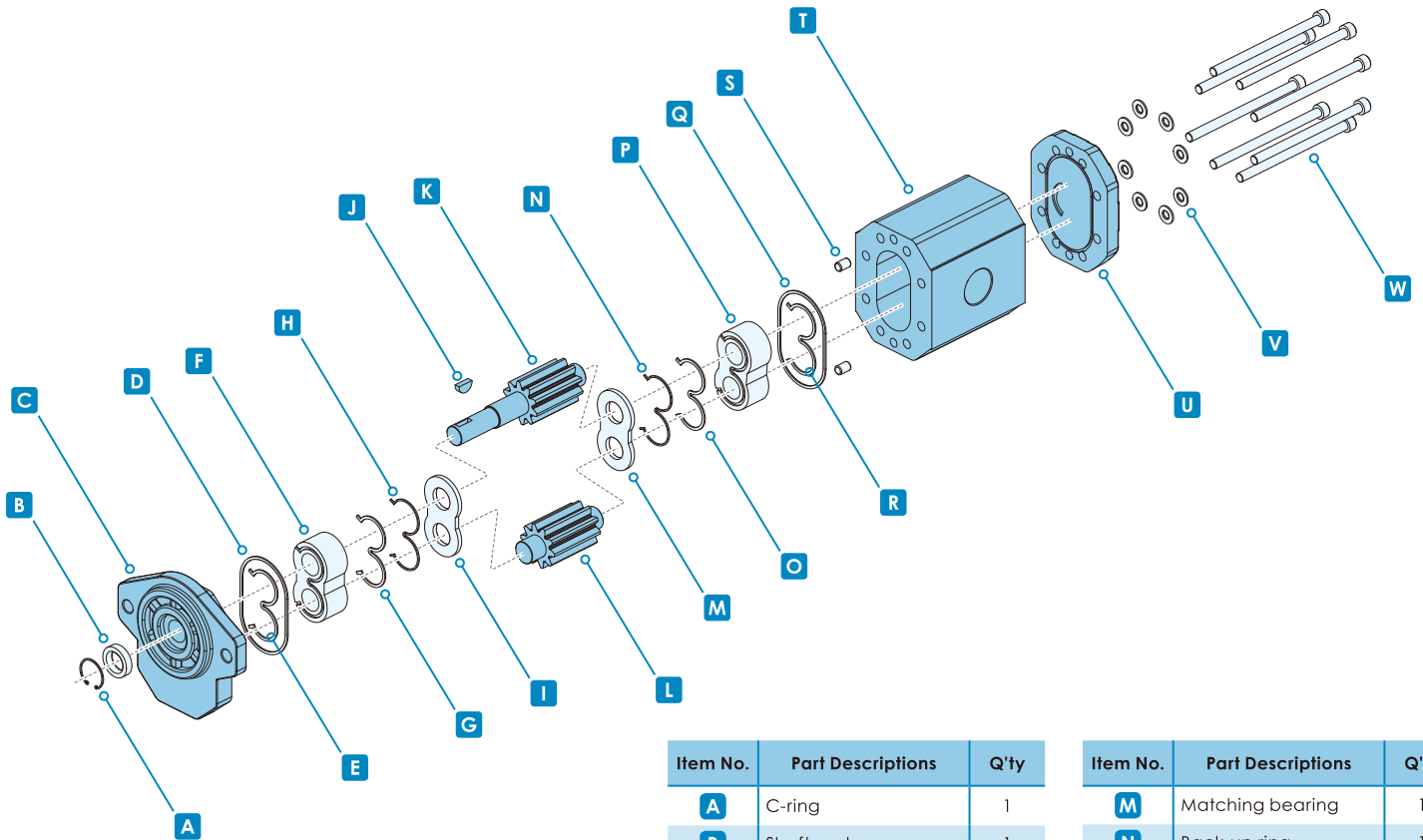
DIMENSIONS (unit : mm)

HGP-5A-X-2B

HGP-5A-Y-2B

HGP-5A-X-4BD


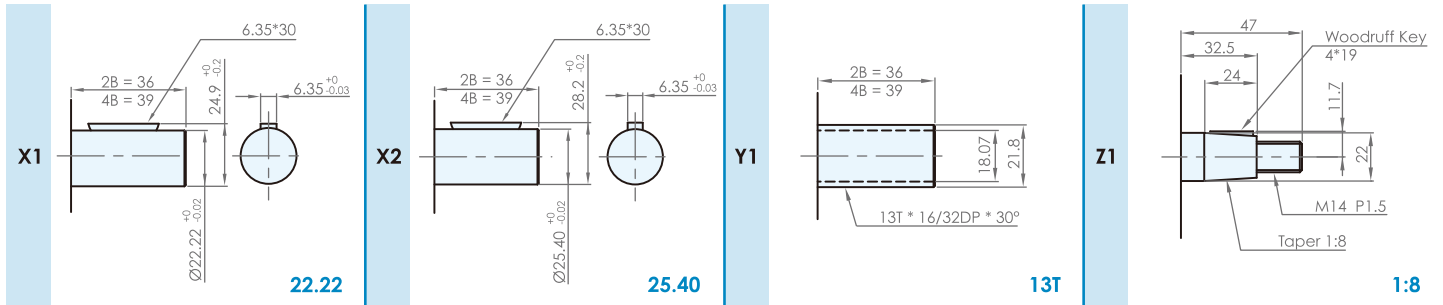
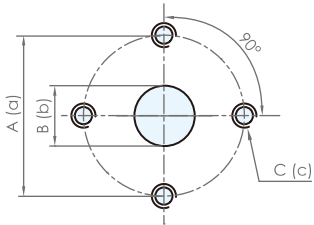
Model	A	B
HGP-5A-2B-22	56.5	117
HGP-5A-2B-26	58.5	121
HGP-5A-2B-33	61	126
HGP-5A-2B-44	65	134
HGP-5A-2B-50	67	137
HGP-5A-2B-55	69	142
HGP-5A-2B-63	71	146
HGP-5A-2B-70	74.5	152
HGP-5A-2B-75	76	156
HGP-5A-2B-80	78	160
HGP-5A-2B-90	81.5	167

Model	A	B
HGP-5A-4BD-22	55.5	116
HGP-5A-4BD-26	57.5	120
HGP-5A-4BD-33	60	125
HGP-5A-4BD-44	64	133
HGP-5A-4BD-50	66	136
HGP-5A-4BD-55	68	141
HGP-5A-4BD-63	70	145
HGP-5A-4BD-70	73.5	151
HGP-5A-4BD-75	75	155
HGP-5A-4BD-80	77	159
HGP-5A-4BD-90	80.5	166

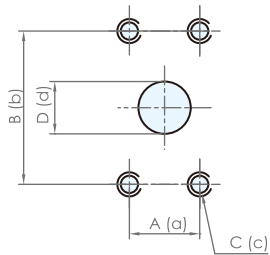
DECOMPOSITION CHARTS



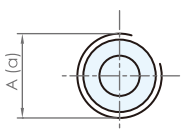
Item No.	Part Descriptions	Q'ty	Item No.	Part Descriptions	Q'ty
A	C-ring	1	M	Matching bearing	1
B	Shaft seal	1	N	Back-up ring	1
C	Front cover	1	O	Packing ring	1
D	O-ring	1	P	Matching bearing	1
E	Back-up ring	1	Q	O-ring	1
F	Matching bearing	1	R	Back-up ring	1
G	Packing ring	1	S	Lock pin	2
H	Back-up Ring	1	T	Housing	1
I	Matching bearing	1	U	Rear cover	1
J	Woodruff key	1	V	Bolt washer	8
K	Drive gear	1	W	Bolt	8
L	Driven gear	1			

ADDITIONAL DIMENSION (unit : mm)
Dimension of Shaft

Inlet and Outlet Size

Flange Type

Code	Inlet			Outlet		
	A	B	C	a	b	c
F1	40	18.5	M8	40	18.5	M8
F2	51	25	M10	51	25	M10
F3	62	30	M10	62	30	M10


Flange Type

Code	Inlet				Outlet			
	A	B	C	D	a	b	c	d
F4	26.2	52.4	M10	25	22.2	47.6	M10	18.5
F5	30.2	58.7	M10	30	26.2	52.4	M10	25
F6	35.7	69.8	M10	39	30.2	58.7	M10	30


PF (G, BSPP)

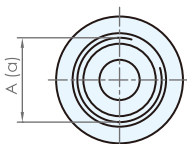
Code	Inlet	Outlet
	A	a
G1	G 1"	G 3/4"

PT (BSPT)

Code	Inlet	Outlet
	A	a
P1	1" PT	3/4" PT

NPT

Code	Inlet	Outlet
	A	a
N1	1" NPT	3/4" NPT


UNF

Code	Inlet	Outlet
	A	a
U1	1 5/16"-12UNF	1 1/16"-12UNF
U2	1 5/8"-12UNF	1 5/16"-12UNF