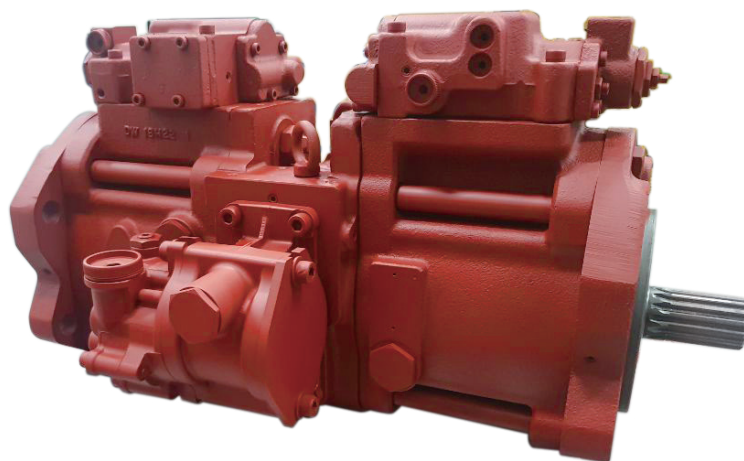


# Piston Pump K3V/K5V Series (ONLY CONSIGNMENT SALE)

Swash plate type Axial piston pumps

## Ordering code

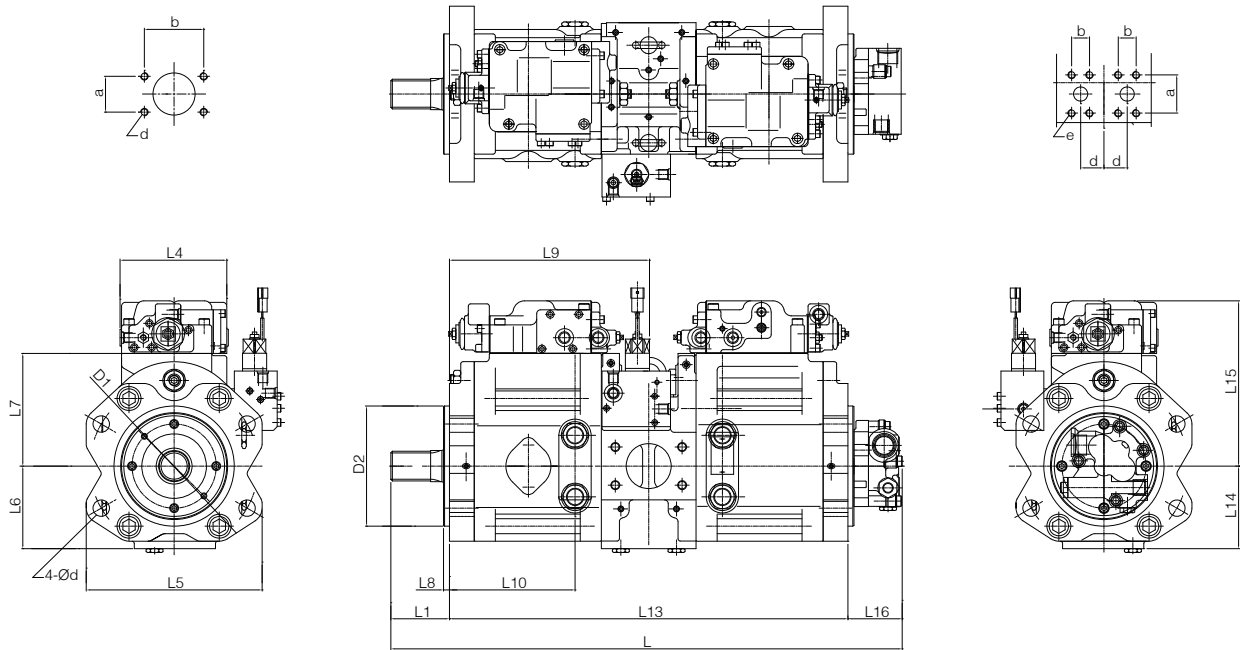
<b>K3V / K5V Series</b>	K3V
<b>Displacement/ Size (cc/rev)</b>	000
DT : Tandem type double pump S : Single type pump	DT
- : Standard P : with PTO/ H : with Centrifugal pump	P
<b>Pump code</b>	000
<b>Direction of rotation</b> R : Clockwise rotation L : Counter clockwise rotation	R
<b>Regulator Code</b>	0000



## SPECIFICATIONS

Model	Max Displacement	Rated pressure		Max Pressure		Max for sell priming (rpm)		Max input torque		Weight	Application
	cc/rev	(kgf/cm <sup>2</sup> )	Mpa	(kgf/cm <sup>2</sup> )	Mpa	Rated	Max	kgf·m	N·m	kgf	ton
K3V63DT	63 x 2	350	34.3	400	39.2	2,650	3,250	35	343.2	81	13 ~ 17
K3V112DT	112 x 2	350	34.3	400	39.2	2,360	2,700	60	588.4	125	20 ~ 25
K3V140DT	140 x 2	350	34.3	400	39.2	2,150	2,500	114	1118	160	29 ~ 37
K3V180DT	180 x 2	350	34.3	400	39.2	1,950	2,300	114	1118	160	39 ~ 45
K5V80DTP	80 x 2	350	34.3	400	39.2	2,460	3,000	54	529.6	81	13 ~ 17
K5V140DTP	140 x 2	350	34.3	400	39.2	2,160	2,500	86	843.4	125	29 ~ 37
K5V200DTP	200 x 2	350	34.3	400	39.2	1,900	2,200	114	1118	160	39 ~ 50

## DIMENSIONS



Model	D1	D2	d	L1	L2	L3	L4	L5	L6	L7	L8	L9	L10	L11	L12	L13	L14	L15	L16	L
K3V63DT	180	125	18	76	70	70	140	190	89	98	8	228	138	37	37	464	97	195	78	618
K3V112DT	224	160	22	78	80	80	140	234	100	110	8	265	167	41	41	538	109	220	78	694
K3V140DT	250	180	22	93	92	92	140	256	112	123	8	305	190	53	53	618	121	245	80	791
K3V180DT	250	180	22	93	92	92	140	256	112	123	8	305	190	53	53	618	121	245	80	791
K5V80DTP	180	125	18	76	70	70	140	190	89	98	8	228	138	37	37	464	97	195	78	618
K5V140DTP	224	160	22	78	80	80	140	234	100	110	8	265	167	41	41	538	109	220	78	684
K5V200DTP	250	180	22	93	92	92	140	256	112	123	8	305	190	53	53	618	121	245	80	791

### Flange mounting face for Suction Port

Model	a	b	c	d
K3V63DT	50.8	89.9	Φ60	M12/DP18
K3V112DT	50.8	89.9	Φ60	M12/DP18
K3V140DT	61.9	106.4	Φ76	M16/DP24
K3V180DT	61.9	106.4	Φ76	M16/DP24
K5V80DTP	50.8	89.9	Φ60	M12/DP18
K5V140DTP	50.8	89.9	Φ60	M12/DP18
K5V200DTP	61.9	106.4	Φ76	M16/DP24

### Flange mounting face for Delivery Port

Model	a	b	c	d	e
K3V63DT	23.8	50.8	Φ19	31	M10/DP16
K3V112DT	23.8	50.8	Φ19	31	M10/DP16
K3V140DT	27.8	57.2	Φ25	38	M12/DP22
K3V180DT	27.8	57.2	Φ25	38	M12/DP22
K5V80DTP	23.8	50.8	Φ19	31	M10/DP16
K5V140DTP	23.8	50.8	Φ19	31	M10/DP16
K5V200DTP	27.8	57.2	Φ25	38	M12/DP22

## DIMENSIONS OF SHAFT END

Model	No. of teeth	Pitch circle dia	Pressure angle	Module	Rule
K3V63DT	14	29.6	30°	12/24	SAE
K3V112DT	12	30	20°	2.5	JIS D2001
K3V112DT	14	35	20°	2.5	JIS D2001
K3V140DT	17	42.5	20°	2.5	JIS D2001
K3V180DT	17	42.5	20°	2.5	JIS D2001
K5V80DTP	12	30	20°	2.5	JIS D2001
K5V140DTP	17	42.5	20°	2.5	JIS D2001
K5V200DTP	17	42.5	20°	2.5	JIS D2001

# KP2D25(W)-GP1 /KP2D28D(W)-GP2

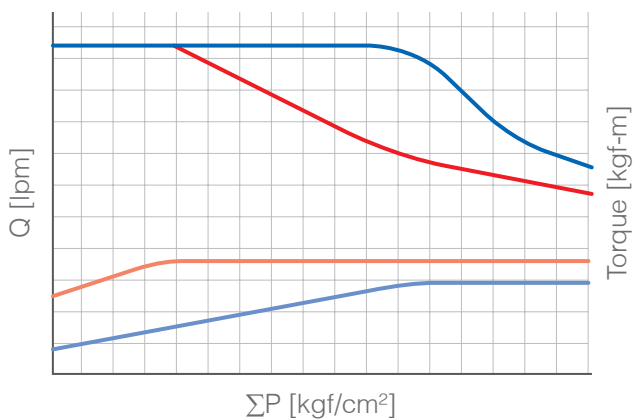
Piston Type Main pump for excavator

## Ordering code

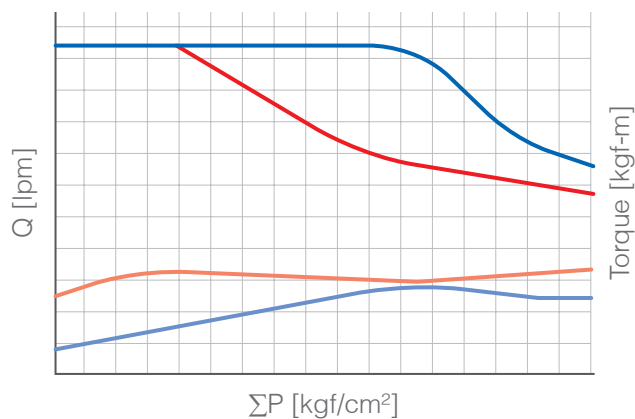
<b>SERIES</b>	KP2D
<b>SIZE</b>	25
Displacement 25cc      25 27.3cc    28 36cc      36	
<b>Option Sol V/V</b> Blank : With out S : With	S
<b>Option Wheel</b> Blank : With out W : With	W
<b>Gear Pump</b> GP1 16.2 + 4.5cc GP2 18.3 + 4.5cc GP3 12.1 + 6.5cc GP4      6.5cc GP5 16.2 + 6.5cc GP6 18.3 + 6.5cc	GP1



KP2D25(W)-GP1



KP2D28D(W)-GP2



## SPECIFICATIONS

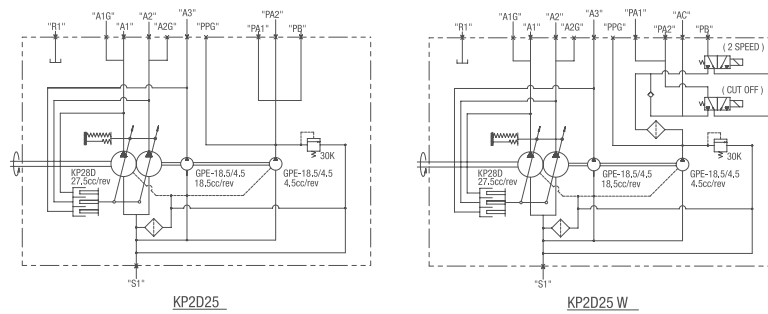
Model	Displacement (cm <sup>3</sup> / rev)				Rated pressure (kgf/cm <sup>2</sup> )	flow (l/min)	Max speed for self priming (rpm)	Max input torque (kgf-m)	Application (ton)
	A1	A2	A3	A4					
KP2D25(W)-GP1	25	25	16.2	4.5	220	55 X 2	2200	14	7
KP2D28D(W)-GP2	27.3	27.3	18.2	4.5	220	61.6 X 2	2200	14	7

## CHARACTERISTICS

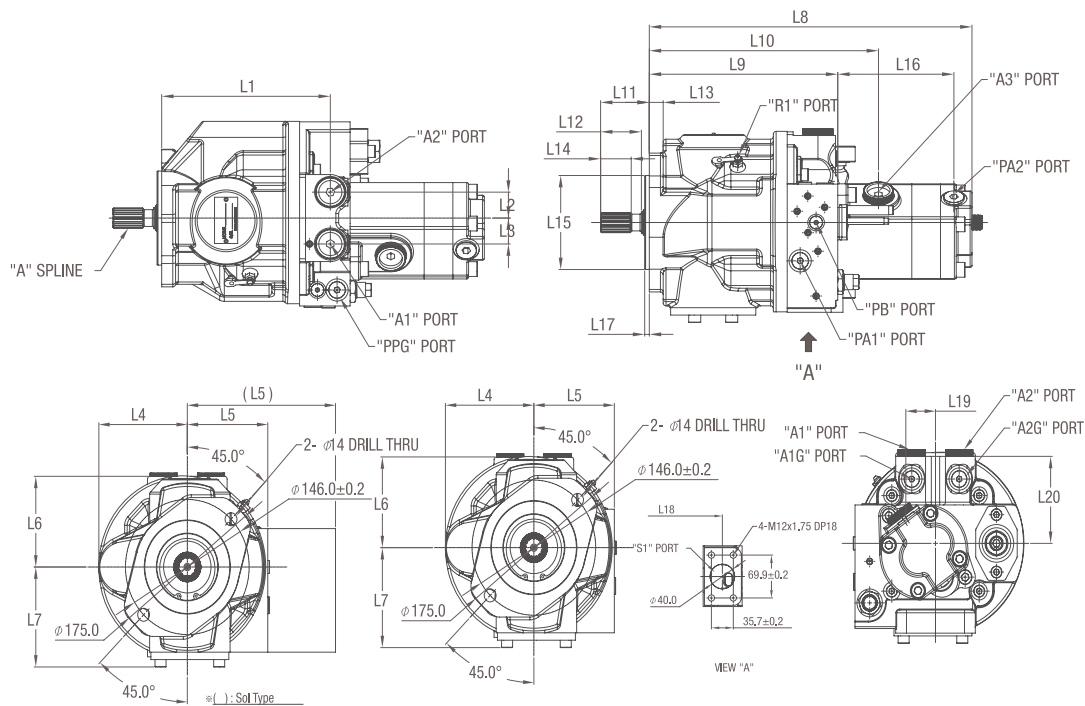
- Specialized Main pump for mini Excavator, especially 5~7 ton.
- Undersized and Easy to attach.

- Compact and Suitable for Zero Tail type.
- Having a high level of efficiency Itself and easy to operate.

## CIRCUIT DIAGRAM



## DIMENSIONS



### "A" SPLINE

No. of teeth	N	13
Module	M	16/32
Pres.Angle	$\alpha$	30
Diameter	d	$\varnothing 20.6375$
Type of teeth	-	Flat root side fit

### PORT SIZE

Port size	Description	Port
SAE A 1-1/2	Input port	S1
PF 1/2	Output port	A1, A2, A3
PF 3/8	Output port	PA2
PF 1/4	Output port	PA2
	Gauge port	A1G, A2G, PPG
PF 1/8	Output port	PB
M10 X P1.0	Air port	R1

## DIMENSIONS

L1	L2	L3	L4	L5	(L5)	L6	L7	L8	L9	L10
182.2	28.0	28.0	109.3	90.1	162	102.9	103.1	348.6	203.6	247.3
L11	L13	L14	L15	L16	L17	L20				
52.7	15	33	101.6	129.2	5	98				