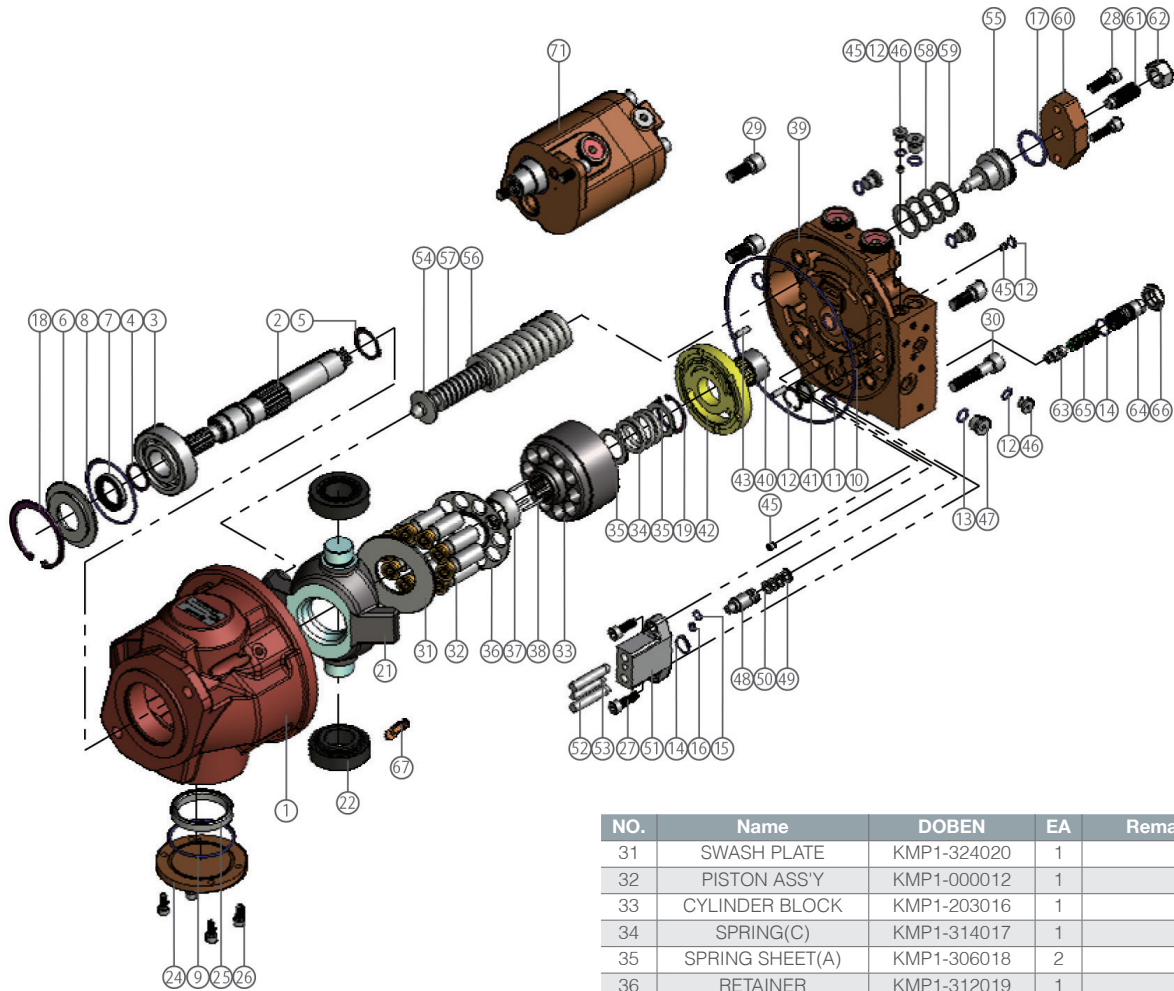


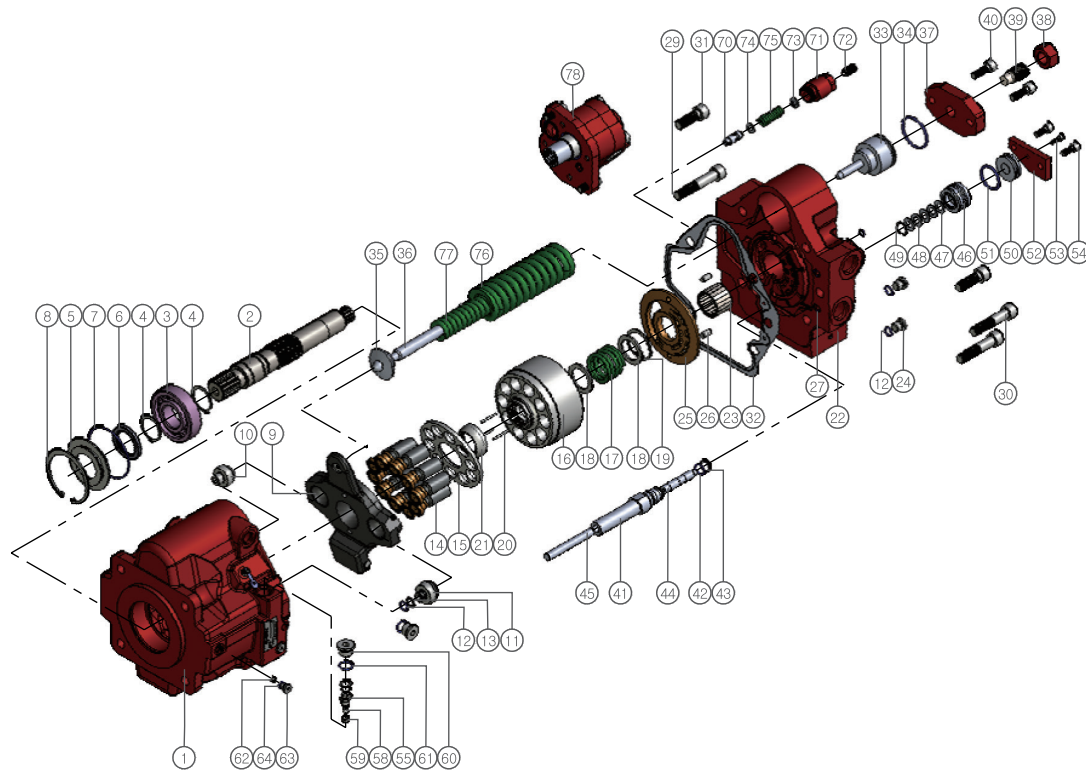
5 _ 7 TON MAIN PUMP



NO.	Name	DOBEN	EA	Remarks
1	HOUSING	KMP1-201004	1	
2	SHAFT	KMP1-319005	1	
3	BALL BEARING	K909-6306	1	30X72X19
4	SNAP RING	K904-EXT028	1	C TYPE SHAFT 28
5	SNAP RING	K904-EXT030	1	C TYPE SHAFT 30
6	SEAL CASE	KMP1-320006	1	
7	OIL SEAL	K910-TCV284006	1	
8	O-RING	K903-001A147	1	AS568-147
9	O-RING	K903-001A144	1	AS568-144
10	O-RING	K903-001A168	1	AS568-168
11	O-RING	K903-002P015	4	P015
12	O-RING	K903-002P008	3	P008
13	O-RING	K903-002P011	4	P011
14	O-RING	K903-001A016	2	AS568-016
15	O-RING	K903-001A011	1	AS568-011
16	O-RING	K903-001A009	1	AS568-009
17	O-RING	K903-001P034	1	P034
18	SNAP RING	K904-INT072	1	C TYPE HOLE 72
19	SNAP RING	K904-INT040	1	C TYPE HOLE 40
20	SNAP RING	K904-INT025	1	C TYPE HOLE 25
21	KMP1-211008	KMP1-211008	1	
22	TAPER ROLLER BEARING	K909-HR32206J	2	30X62X21.25
23	SEAT	KMP1-305009	1	
24	SIDE COVER	KMP1-321010	1	
25	SPACER	KMP1-322011	1	
26	SOC.HD CAP SCREW	K907-SM06016	4	M6 x 16
27	SOC.HD CAP SCREW	K907-SM08025	2	M8 x 25
28	SOC.HD CAP SCREW	K907-SM08030	2	M8 x 30
29	SOC.HD CAP SCREW	K907-SM12030	3	M12 x 30
30	SOC.HD CAP SCREW	K907-SM12055	1	M12 x 55

NO.	Name	DOBEN	EA	Remarks
31	SWASH PLATE	KMP1-324020	1	
32	PISTON ASS'Y	KMP1-000012	1	
33	CYLINDER BLOCK	KMP1-203016	1	
34	SPRING(C)	KMP1-314017	1	
35	SPRING SHEET(A)	KMP1-306018	2	
36	RETAINER	KMP1-312019	1	
37	PIVOT	KMP1-325021	1	
38	DAWEL PIN	K915-D03030	3	Ø3X30
39	VALVE BLOCK	KMP1-205023	1	
40	NIDDLE BEARING	K909-HMK2620	1	
41	STRAINER	KMP1-401027	1	
42	VALVE PLATE	KMP1-324024	1	
43	PARALLEL PIN	K905-D06020	2	Ø6X20
44	PIPE PLUG	K911-NPT1/16	10	NPT 1/16
45	ORIFICE	KMP1-315025	3	
46	RO PLUG	K914-PF1/8	2	PF 1/8PF 1/8
47	RO PLUG	K914-PF1/4	4	PF 1/4
48	CONTROL PISTON	KMP1-309040	1	
49	SPRING SHEET	KMP1-306043	1	
50	CONICAL WASHER	KMP1-328044	3	
51	CONTROL CYLINDER	KMP1-215039	1	
52	CONTROL PIN (A)	KMP1-326041	2	
53	CONTROL PIN (B)	KMP1-326042	1	
54	SPRING SEAT(A)	KMP1-306029	1	
55	SPRING SEAT(B)	KMP2-306030	1	
56	SPRING(OUT)	KMP1-314034	1	
57	SPRING(IN)	KMP1-314035	1	
58	SHIM(A)	KMP1-327036	3	T=0.5
59	SHIM (B)	KMP1-327037	1	T=1.0
60	SPRING COVER	KMP1-204032	1	
61	ADJUSTMENT SCREW	KMP1-316033	1	M16XP1.5
62	HEX. NUT	K902-HM16	1	M16
63	SPOOL	KMP1-302045	1	
64	ADJUST SCREW	KMP1-316046	1	
65	SPRING, RELIEF	KMP1-314047	1	
66	NUT, RELIEF	KMP1-318048	1	M18XP1.0
67	AIR VENT	KMP1-501049	1	
71	GEAR PUMP ASS'Y	KG1-000002	1	16.2cCX4.5cc

8 TON MAIN PUMP



NO.	Name	DOBN	EA	Remarks
1	HOUSING	KMP5-201004	1	
2	SHAFT	KMP5-319005	1	
3	BALL BEARING	K909-6307	1	6307
4	SNAP RING	K904-EXT035	2	C TYPE SHAFT 35
5	SEAL CASE	KMP5-320006	1	
6	OIL SEAL	K910-TCV35X52X6	1	
7	O-RING	K903-001A151	1	
8	SNAP RING	K904-INT080	1	AS568-147
9	SWASH PLATE ASS'Y	KMP5-000007	1	AS568-144
10	BALL GUIDE(A)	KMP5-332012	1	AS568-168
11	BALL GUIDE(B)	KMP5-332013	1	P015
12	O-RING	K903-002P011	5	P008
13	BACK UP RING	K916-P011	1	P011
14	PISTON ASS'Y	KMP5-000014	10	AS568-016
15	RETAINER	KMP5-312017	1	AS568-011
16	CYLINDER BLOCK	KMP5-203019	1	AS568-009
17	SPRING,CYL'D BLOCK	KMP5-314020	1	P034
18	WASHER	KMP5-328021	2	C TYPE HOLE 72
19	SNAP RING	K904-INT045	1	C TYPE HOLE 40
20	DAWEL PIN	K915-D03030	3	C TYPE HOLE 25
21	PIVOT	KMP5-325022	1	
22	VALVE BLOCK	KMP5-205024	1	30X62X21.25
23	NEEDLE ROLLER BEARING	K909-304030	1	
24	RO PLUG	K914-PF 1/4	4	
25	VALVE PLATE	KMP5-324025	1	
26	PARALLEL PIN	K905-D080106	2	M6 x 16
27	O-RING	K903-002P009	4	M8 x 25
28	PIPE PLUG	K911-PY1/16	7	M8 x 30
29	SOC.HD CAP SCREW	K907-SM14075	1	M12 x 30
30	SOC.HD CAP SCREW	K907-SM14065	2	M12 x 55
31	SOC.HD CAP SCREW	K907-SM14040	2	
32	GASKET	KMP5-409026	1	
33	SPRING SEAT	KMP5-306027	1	
34	O-RING	K903-002P044	1	
35	SPRING SHEET(A)	KMP5-306029	1	
36	SPRING GUIDE	KMP5-307030	1	
37	SPRING COVER	KMP5-204034	1	

NO.	Name	DOBN	EA	Remarks
38	HEX.NUT	K902-HM20	1	□3X30
40	SOC.HD CAP SCREW	K907-SM10030	2	
41	SLEEVE	KMP5-304036	1	
42	O-RING	K903-002P015	1	
43	BACK UP RING	K916-P015	1	
44	SPOOL	KMP5-302037	1	□6X20
45	CONTROL PIN	KMP5-326038	1	NPT 1/16
46	CONTROL PISTON	KMP5-309039	1	
47	WASHER	KMP5-328040	1	PF 1/8PF 1/8
48	CONICAL WASHER	KMP5-328041	4	PF 1/4
49	SNAP RING	K904-INT020	1	
50	STOPPER	KMP5-310042	1	
51	O-RING	K903-002P032	1	
52	COVER	KMP5-321043	1	
53	SOC.HD CAP SCREW	K907-SM05016	1	
54	SOC.HD CAP SCREW	K907-SM08020	2	
55	PLUG, SUTTLE V/V	KMP5-308051	1	
56	SEAL WASHER,SUTTLE V/V	KMP5-328052	1	
57	WASHER, SUTTLE V/V	KMP5-328053	1	
58	STEEL BALL	K917-D006	1	
59	SEAT ,SUTTLE V/V	KMP5-305054	1	T=0.5
60	RO PLUG	K914-M8X1.5	1	T=1.0
61	O-RING	K903-002P016	1	
62	ORIFICE	KMP1-315025	1	M16XP1.5
63	RO PLUG	K914-PF1/8	2	M16
64	O-RING	K903-002P008	3	
65	RO PLUG	K914-PF3/8	1	
66	O-RING	KMP1-314047	1	
70	SPOOL, RELIEF V/V	KMP1-318048	1	
71	BODY, RELIEF V/V	KMP1-501049	1	
72	ADJUST SCREW,RELIEF V/V	KMP5-316045	1	
73	SPING FOLLOW,RELIEF V/V	KMP5-336047	1	
74	WASHER,RELIEF V/V	KMP5-314049	1	
75	SPRING,RELIEF V/V	KMP5-314048	1	
76	SPRING(OUT)	KMP5-314032	1	
77	SPRING(IN)	KMP5-314031	1	
78	GEAR PUMP ASS'Y	KGP6-000001	1	