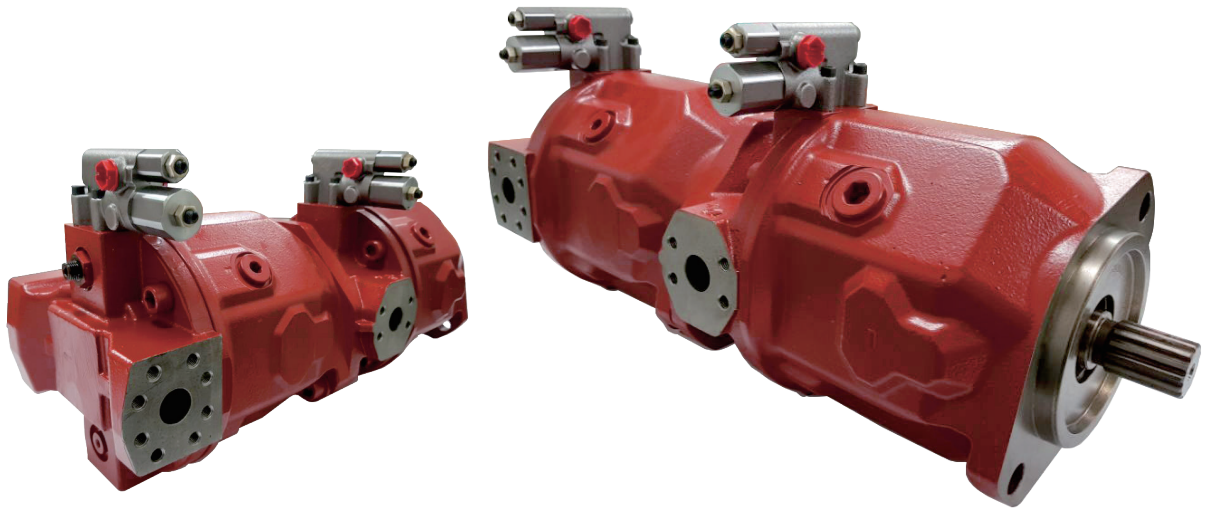


A10VO Series

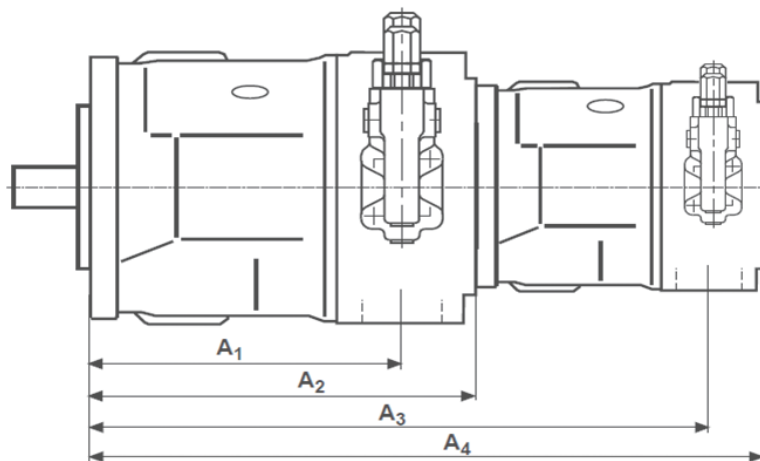
Piston Type Main pump for Wheel Loader



SPECIFICATIONS

Grade	Unit	H		D	
		STEERING	ATTATCH	STEERING	ATTATCH
300 HP	Displacement(cc/rev)	60	63	74	74
	Pressure (Kgf / cm ²)	280	280	280	280
400 HP	Displacement(cc/rev)	110	61	140	100
	Pressure (Kgf / cm ²)	210	280	210	280

Unit dimension of the combination pump
A10VO + A10VO

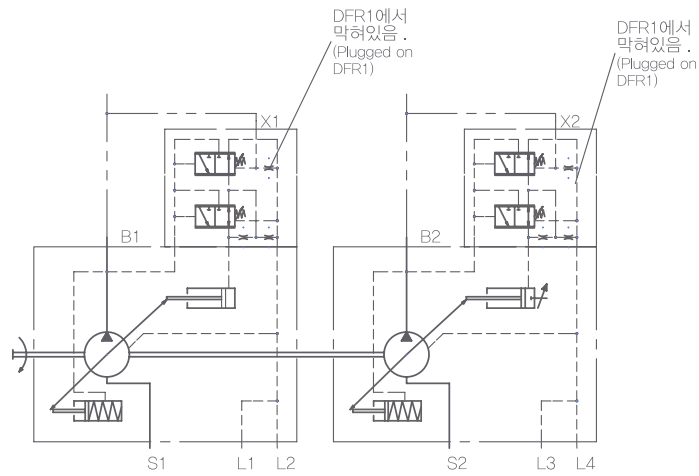


PUMP1 \ PUMP2	A10VO 28				A10VO 45				A10VO 71				A10VO 100				A10VO 140			
	A1	A2	A3	A4	A1	A2	A3	A4	A1	A2	A3	A4	A1	A2	A3	A4	A1	A2	A3	A4
A10VSO 18	165	204	349	399	184	229	374	424	217	267	412	462	275	338	483	533	275	350	495	545
A10VO 28	165	204	369	398	184	229	394	423	217	267	432	461	275	338	503	532	375	350	515	544
A10VO 45	-	-	-	-	184	229	413	448	217	267	451	486	275	338	522	557	275	350	534	569
A10VO 71	-	-	-	-	-	-	-	-	217	267	484	524	275	338	555	595	275	350	567	569
A10VO 100	-	-	-	-	-	-	-	-	-	-	-	-	275	356	631	673	275	368	643	685
A10VO 140	-	-	-	-	-	-	-	-	-	-	-	-	-	-	-	-	275	368	643	685

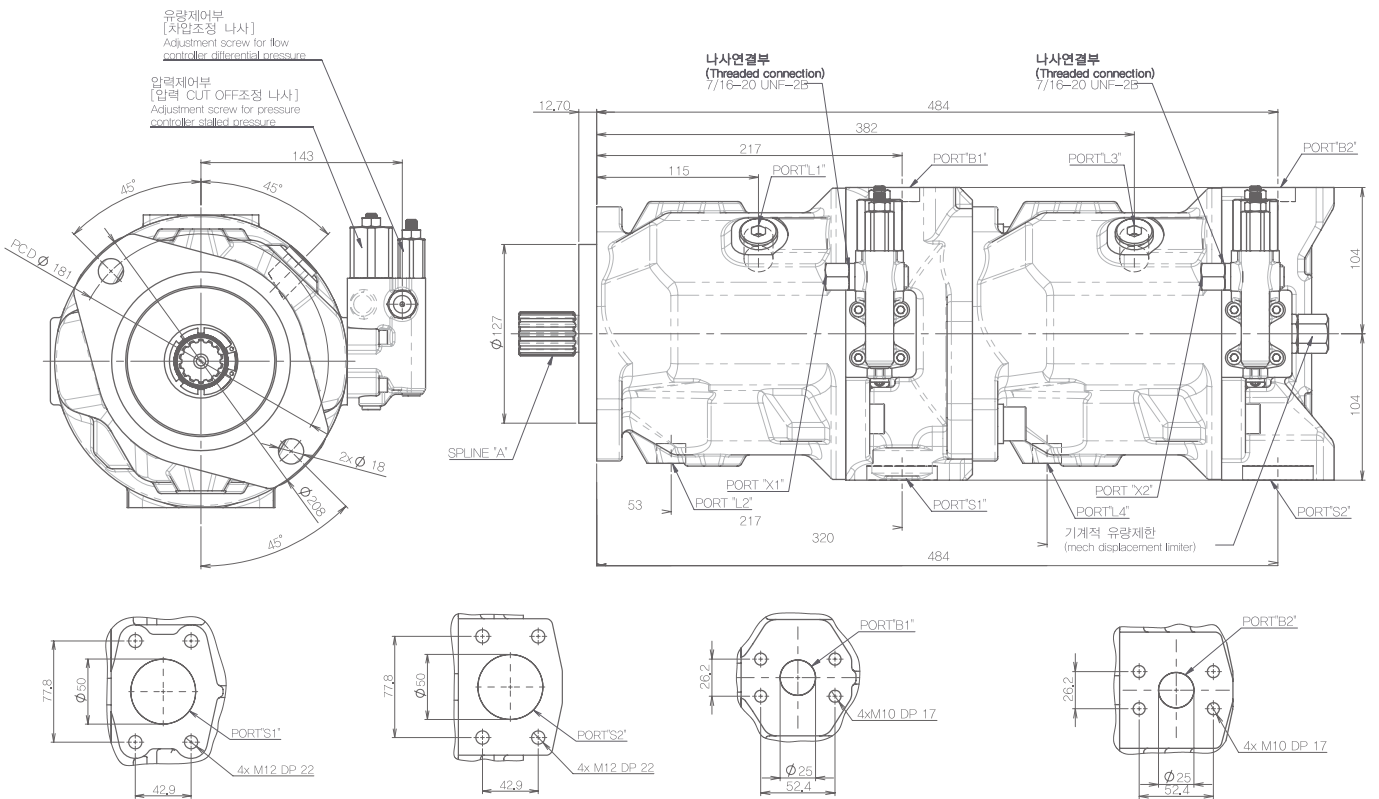
CHARACTERISTICS

- Time delay valve & Relief valve
- Mini(5~8ton) excavator, Aerial working flatform, Crane, etc. Applicable
- Included time delay valve and relief valves

CIRCUIT DIAGRAM



DIMENSIONS



San Involute Spline(A)		
Flat Route Side Fit		
Sae J498B, Class 1		
TOOLS	Pitch	12/14
	Pressure Angle	30°
	NO.OF Teeth	14
Major Dia	Ø31.22	0 -0.13
Minor Dia	Ø26.99	0 -0.33

PORT SIZE

Port	Title	Configuration
B1, B2	Output	Sae 1"
S1, S2	Input	Sae 2"
L1, L2, L3, L4	Drain	M22X1.5P
X1, X2	Pilot	M14X1.5P DP12