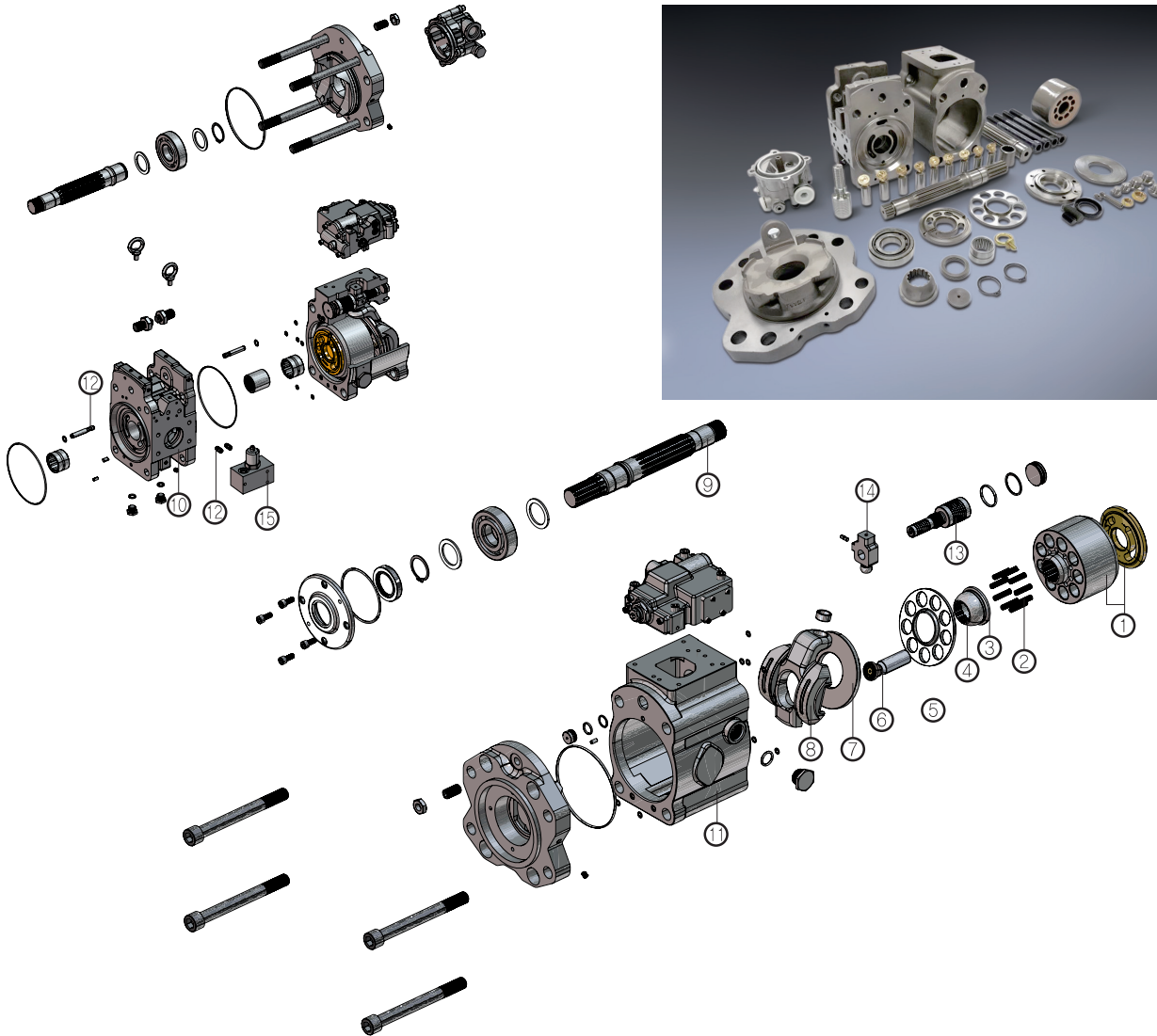
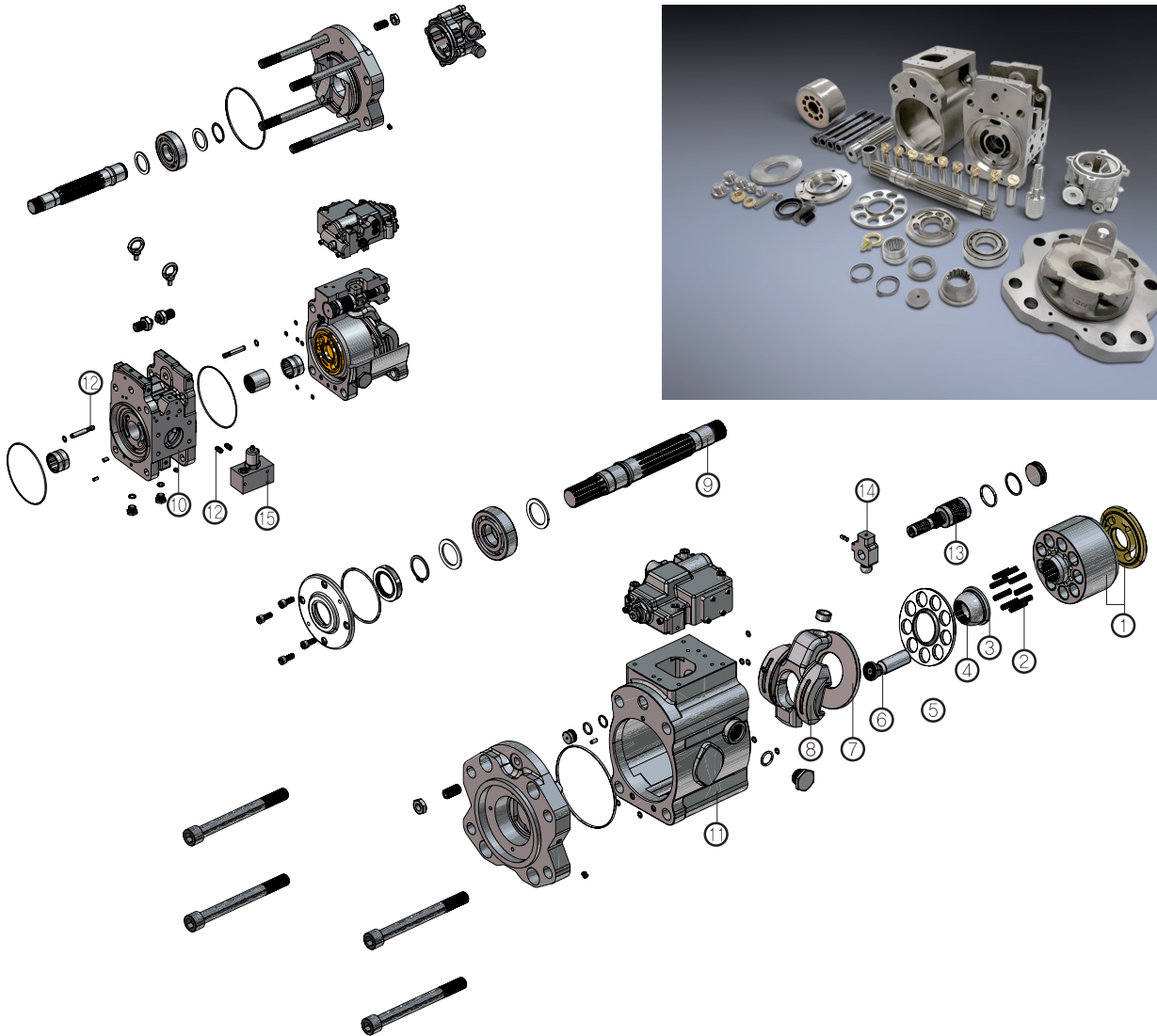


# K3V63/112/140/180DT



NO.	Part Name	Q'ty	Unit	Remarks
1-a	Cylinder Block Ass'y(with Valve Plate- RH)	1	set	
1-b	Cylinder Block Ass'y(with Valve Plate- LH)	1	set	
2	Coil Spring (9pcs/set)	2	set	
3	Spacer	2	pcs	
4-a	Spherical Bush(Ball Guide)Casting type	2	pcs	
4-b	Spherical Bush(Ball Guide)Bronze type	2	pcs	
5	Push Plate (Set Plate)	2	pcs	
6	Piston Ass'y(9pcs/set)	2	set	
7	Shoe Plate	2	pcs	
8	Swash Plate & Support	2	pcs	
9	Drive Shaft (RH/LH)	2	pcs	
10	Valve Block	2	pcs	
11	Case(Housing)	2	pcs	
12-a	Check Valve – long	2	pcs	
12-b	Check Valve – short	2	pcs	
13	Servo Piston	2	pcs	
14	Tilting Pin	2	pcs	
15	Eppr v/v assy	1	pcs	

# K5V80/140/160/200DT



NO.	Part Name	Q'ty	Unit	Remarks
1-a	Cylinder Block Ass'y(with Valve Plate- RH)	1	set	
1-b	Cylinder Block Ass'y(with Valve Plate- LH)	1	set	
2	Coil Spring (9pcs/set)	2	set	
3	Spacer	2	pcs	
4-a	Spherical Bush(Ball Guide)Casting type	2	pcs	
4-b	Spherical Bush(Ball Guide)Bronze type	2	pcs	
5	Push Plate (Set Plate)	2	pcs	
6	Piston Ass'y(9pcs/set)	2	set	
7	Shoe Plate	2	pcs	
8	Swash Plate & Support	2	pcs	
9	Drive Shaft (RH/LH)	2	pcs	
10	Valve Block	2	pcs	
11	Case(Housing)	2	pcs	
12-a	Check Valve – long	2	pcs	
12-b	Check Valve – short	2	pcs	
13	Servo Piston	2	pcs	
14	Tilting Pin	2	pcs	
15	Eppr v/v assy	1	pcs	