

HONOR



***High Pressure
Gear Pumps & Motors***

Index

	Company Profile & Product Line	02
	Model Code Designation	03
GROUP 1	1A Series Gear Pumps	04
	1G Series Gear Pumps	06
	1M Series Bi-Directional Pumps/Motors	07
	1P Series Gear Pumps	08
	1K Series Gear Pumps	09
	1D/1T Series Multiple Pumps	10
	1V Series Gear Pumps	11
	1A/1G/1D/1T/1V Series Performance Curve	12
	1M Series Performance Curve	13
	1K/1P Series Performance Curve	14
GROUP 2	2M Series Bi-directional Pumps/Motors	15
	2G Series Gear Pumps	16
	2D/2T Series Multiple Pumps	18
	21D/21T Series Multiple Pumps	19
	2G/2D/2T Series Performance Curve	20
	2M Series Performance Curve	22
GROUP 3	3G Series Gear Pumps	24

Since the completion of our acquisition in 1994, we have gained a reputation for design expertise and product quality through innovative engineering and leading edge production techniques. The skilled engineering staff at Honor Gear Pumps Corp. represents our commitment to the quality found in our product line. Internal design improvements have been made over the past years, across the entire product line.

To further demonstrate our dedication to quality, we are certified UKAS ISO 9001:2008. In addition, our experienced sales staff and worldwide distributor network represents our goal of 100% customer satisfaction. We will continue to expand our product line based on market demand and would be pleased to consider all customer requirements.

Group 1



HONOR

Gear Pumps Corp.

Group 2



Group 3



PRODUCT LINE

The Honor product line is made up of group 1 and group 2 pumps & motors and group 3 pumps & motors.

Group 1 product is defined by the mounting flange and shaft end. Mounting flanges can be SAE "AA" two bolt, the US 4F-17 four bolt, four bolt European mounting flanges, and the "through-bolt" front manifold discharge DC power-pack design pump. Shaft ends can be key spline, or tang depending on the customer requirement, Displacements offered are from .04 cubic inch per revolution depending on the specific model. Side ports are generally standard but rear ports can be available depending on the specific model.

Group 2 product is defined by the mounting flange and shaft end, and the function, be it pump or motor or bi-directional pump. Mounting flanges can be SAE "A" two bolt and four bolt European mounting flanges. Shaft ends can be keyed or spline or tapered depending on the customer requirement, Displacements offered are from .24 to 2.02 cubic inch per revolution depending on the specific model. O-ring side ports are standard but rear ports can be available depending on the specific model.

Group 3 product is defined by the mounting flange and shaft end, and the function, Mounting

HYDRAULIC FLUIDS

Fluid must be specifically for hydraulic systems. A mineral oil based hydraulic fluid is recommended for most service it should have anti-wear, anti-foaming, anti-oxidant, and anti-corrosion properties. Fluids should comply with DIN 51525 and VDMA 24317. Allowable temperature of the oil is -10C to +80C. Fluid kinematic viscosity ranges are the following: Permitted 6-500cSt. Recommended range: 10-100cSt. Maximum start up value: <2000cSt.

FILTRATION

Filtration of 25 micron absolute (B=75 to higher) or better is required. Filtration is recommended. Pump wear due to oil contamination will not be cause warranty consideration. New installations should require the system filled through a 10-micron absolute filling system. Contamination of the oil is not allowed.

LOW PRESSURE GEAR PUMPS & MOTORS

MODEL CODE DESIGNATION

Typical model code would include the following:

<input type="checkbox"/>	<input type="checkbox"/>	<input type="checkbox"/>	<input type="checkbox"/>	<input type="checkbox"/>	<input type="checkbox"/>	<input type="checkbox"/>
<u>SERIES</u>	<u>TYPE</u>	<u>FLANGE</u>	<u>SHAFT</u>	<u>PORT</u>	<u>DISPL.</u>	<u>ROTATION</u>

SERIES is pump body size, group 1 or group 2 or group 3.

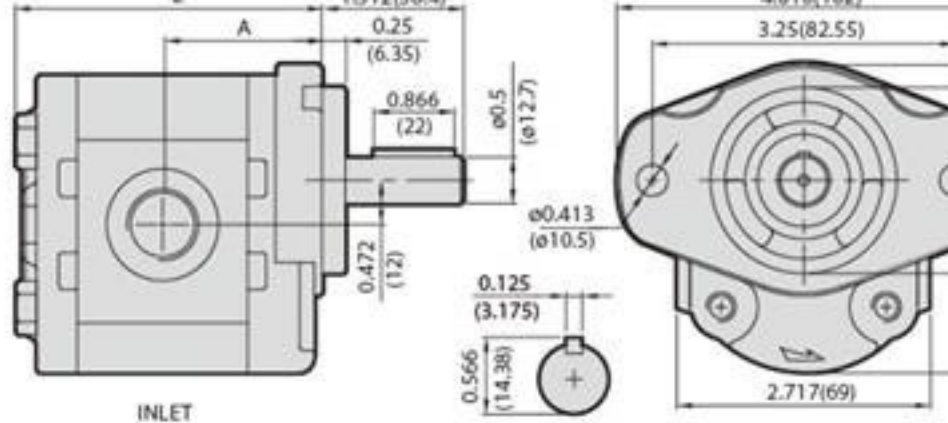
TYPE refers to the type of pump, or motor it can be as further defined by the flange and gear set.

FLANGE is which front cover/flange depending on the gear set/shaft diameter.

SHAFT is defined based on which flange is required and refers to the diameter and the end style: tang, spline, tapered.

PORTS are specific based on which series and flange is required. The size of the ports is generally defined by the pump series and displacement. Ports are SAE o-ring standard, and flange side ports with rear port cover option.

ROTATION is based on series and type.



ORDERING EXAMPLE

For Example **1** **A** **G** **2** **U**
 SERIES TYPE FLANGE SHAFT PORT DISPL. ROTATION

If you need pump with displ.0.31 c.i.r and rotation is cw, the model number is: **1AG2U05R**

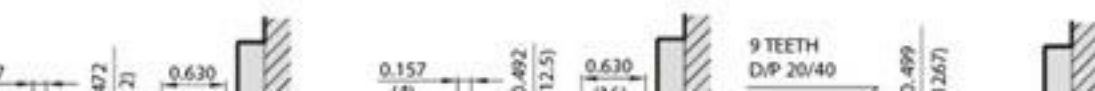
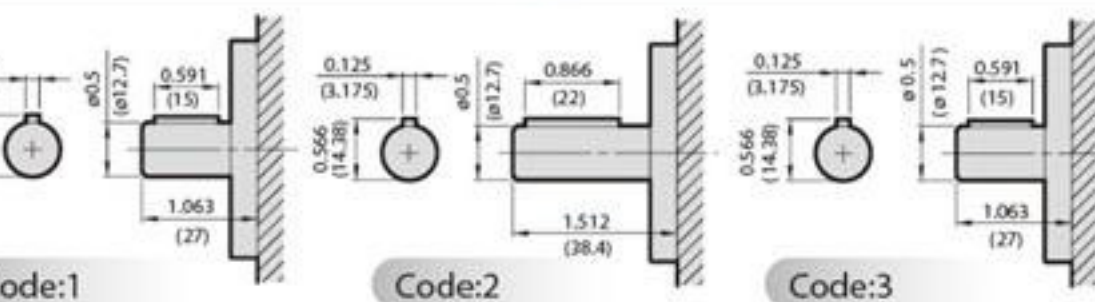
PERFORMANCE DATA

MODEL	DISPLACEMENT		PRESSURE psi(MPa)		RPM RANGE	DIMENSIONS inch(mm) SUITABLE "G", "C", "E" MOUNTING FLANGES		WEIGHT	
	c.i.r	cm ³ /r	CONTINUOUS	MAX.		A	L	Kg	LBS
1	0.04	0.6	3000(21)	3600(25)	600	1.626(41.3)	3.114(79.1)	1.09	2.40
2	0.08	1.3	3000(21)	3600(25)		1.655(42.0)	3.173(80.6)	1.10	2.42
3	0.12	2.0	3000(21)	3600(25)		1.694(43.0)	3.252(82.6)	1.14	2.51
4	0.16	2.7	3000(21)	3600(25)		1.734(44.0)	3.331(84.6)	1.18	2.60
5	0.21	3.4	3000(21)	3600(25)	4000	1.773(45.0)	3.409(86.6)	1.21	2.66
6	0.25	4.1	3000(21)	3600(25)		1.813(46.0)	3.488(88.6)	1.25	2.75
7	0.31	5.1	3000(21)	3600(25)		1.872(47.5)	3.606(91.6)	1.30	2.86
8	0.37	6.1	3000(21)	3600(25)		1.931(49.0)	3.724(94.6)	1.35	2.97
9	0.45	7.4	2850(20)	3300(23)	600 (*2500)	2.009(51.0)	3.882(98.6)	1.41	3.10
10	0.55	9.1	2550(18)	2850(20)		2.108(53.5)	4.079(103.6)	1.49	3.28
11	0.67	11.0	2300(16)	2550(18)		2.226(56.5)	4.315(109.6)	1.58	3.48
12	0.82	13.5	2300(16)	2550(18)		2.364(60.0)	4.591(116.6)	1.69	3.72

*then 2500 qualified per applications.

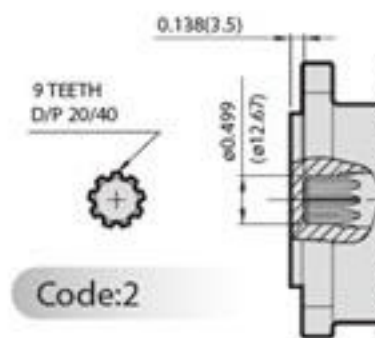
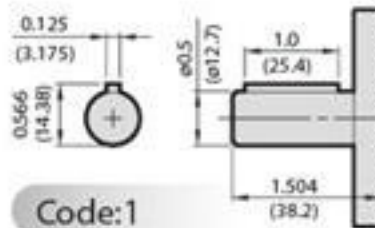
DRIVE SHAFTS

SUITABLE FOR G FLANGE



DRIVE SHAFTS

SUITABLE FOR K L FLANGE



SUITABLE FOR C E FLANGE

