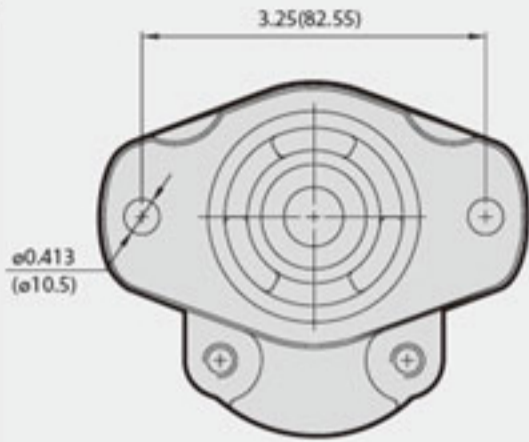
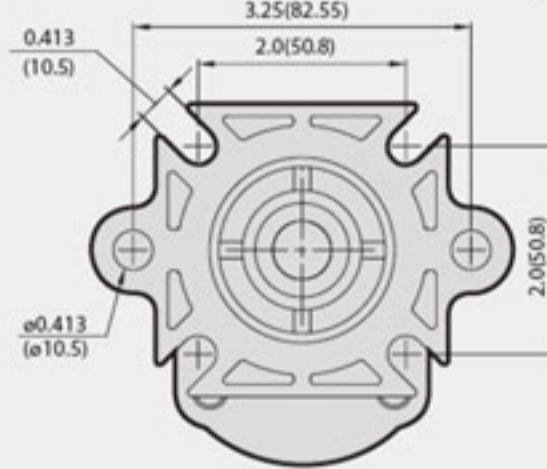
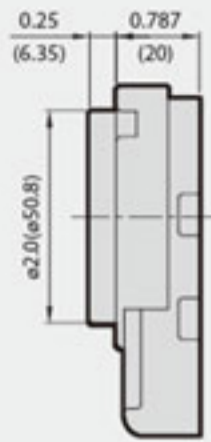


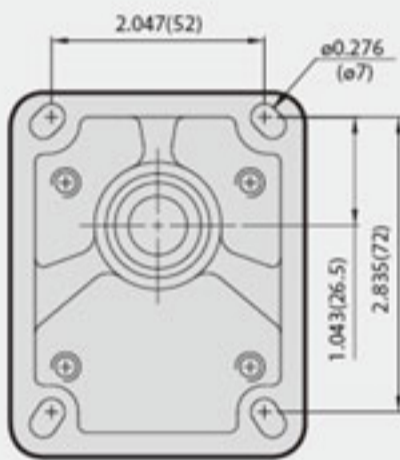
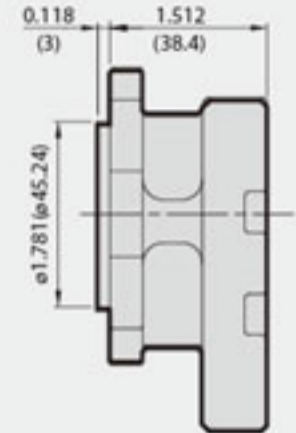
■ MOUNTING FLANGES



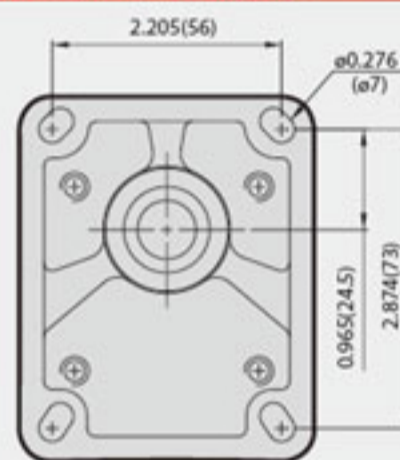
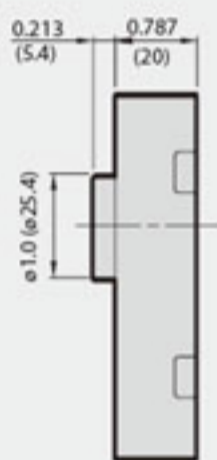
Code:G



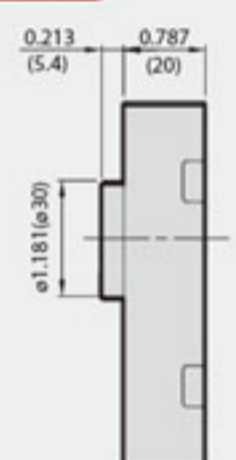
Code:K- SAE AA-2 Bolts&4F17-4 BOLTS
Code:L- 4F17-4 BOLTS



Code:C

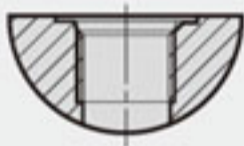


Code:E



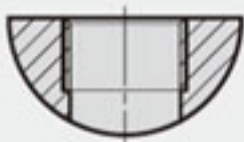
■ PORTS

UNF

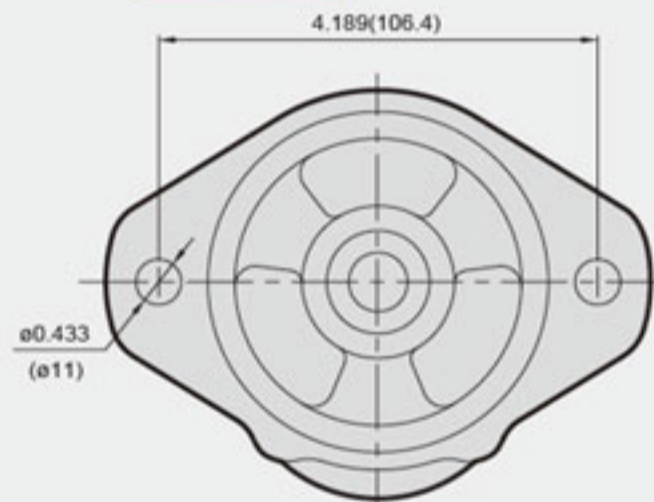


Code	From "05" to "06"		From "07" to "13"	
	INLET	OUTLET	INLET	OUTLET
U	UNF# 8 3/4"-16	UNF# 6 9/16"-18	UNF# 10 7/8"-14	UNF# 8 3/4"-16

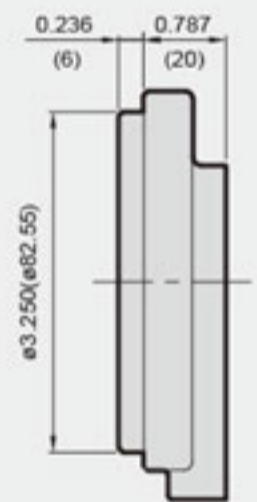
PT 、 NPT 、 BSPF



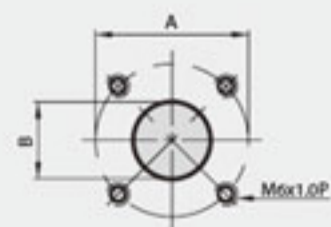
Code	From "05" to "06"		From "07" to "13"	
	INLET	OUTLET	INLET	OUTLET
P	PT 1/2"	PT 3/8"	PT 3/4"	PT 1/2"
N	NPT 1/2"	NPT 3/8"	NPT 3/4"	NPT 1/2"
B	BSPF 1/2"	BSPF 3/8"	BSPF 3/4"	BSPF 1/2"



Code:A

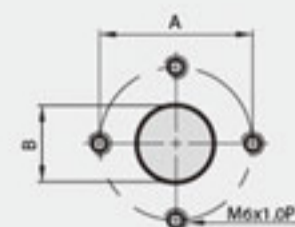


FLANGE (SQUARE)



Code	From "05" to "13"	
	INLET & OUTLET	
F	A	B
	ø1.181 (ø30)	ø0.511 (ø13)

FLANGE (DIAMOND)

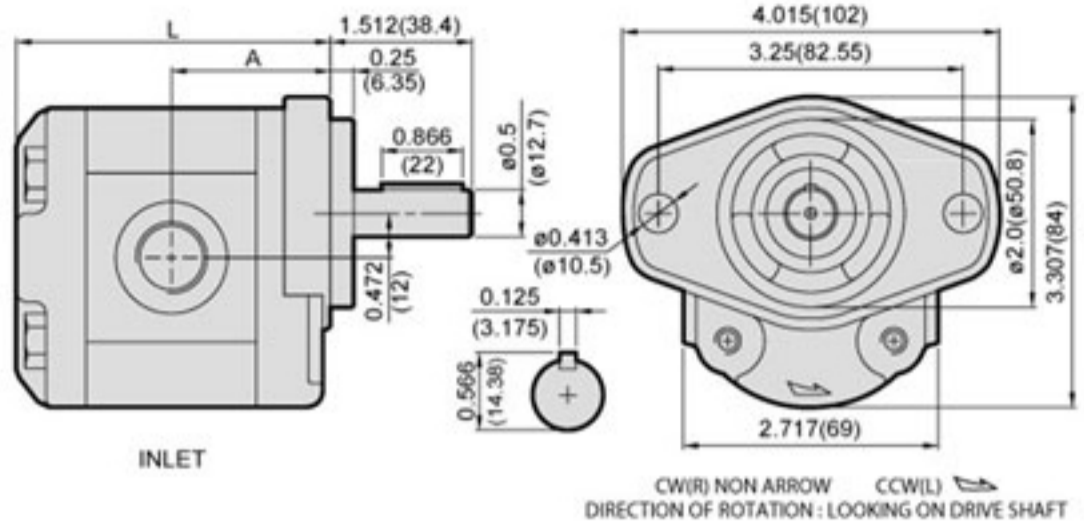


Code	From "05" to "13"	
	INLET & OUTLET	
E	A	B
	ø1.181 (ø30)	ø0.511 (ø13)



1G/1M SERIES

OVERALL DIMENSIONS



ORDERING EXAMPLE

For Example **1** **G** **G** **2** **U**
 SERIES TYPE FLANGE SHAFT PORT DISPL. ROTATION
 If you need pump with displ.0.31 c.i.r and rotation is cw, the model number is : **1GG2U05R**

PERFORMANCE DATA

MODEL	DISPLACEMENT		PRESSURE psi(MPa)		RPM RANGE	DIMENSIONS inch (mm)		WEIGHT	
	c.i.r	cm ³ /r	CONTINUOUS	MAX.		A	L	Kg	LBS
01	0.08	1.3	3300(23)	3800(27)	600	1.655(42.0)	3.271(83.1)	1.75	3.85
02	0.12	2.0	3300(23)	3800(27)		1.694(43.0)	3.350(85.1)	1.79	3.94
27	0.16	2.7	3300(23)	3800(27)		1.734(44.0)	3.428(87.1)	1.83	4.03
35	0.21	3.4	3300(23)	3800(27)		1.773(45.0)	3.507(89.1)	1.86	4.09
04	0.25	4.1	3300(23)	3800(27)		1.813(46.0)	3.586(91.1)	1.90	4.18
05	0.31	5.1	3300(23)	3800(27)		4000	1.872(47.5)	3.704(94.1)	1.95
06	0.37	6.1	3300(23)	3800(27)	600 (*2500)	1.931(49.0)	3.822(97.1)	2.00	4.40
07	0.45	7.4	3100(22)	3500(25)		2.009(51.0)	3.980(101.1)	2.06	4.53
09	0.55	9.1	2850(20)	3100(22)		2.108(53.5)	4.176(106.1)	2.14	4.71
11	0.67	11.0	2550(18)	2850(20)		2.226(56.5)	4.412(112.1)	2.23	4.91
13	0.82	13.5	2550(18)	2850(20)		2.364(60.0)	4.688(119.1)	2.34	5.15

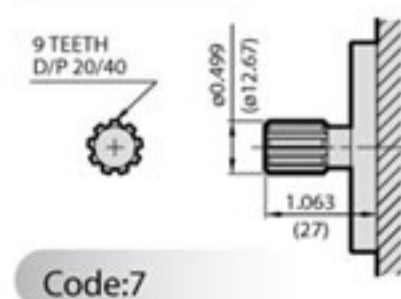
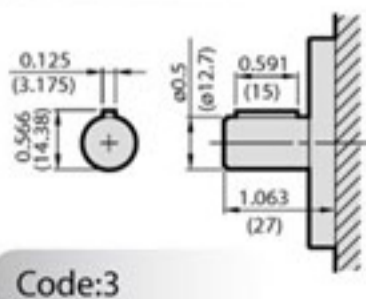
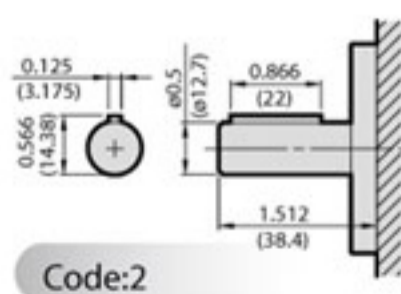
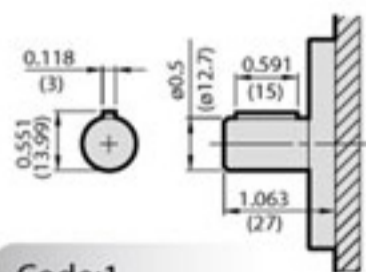
*More then 2500 qualified per applications.

PORTS

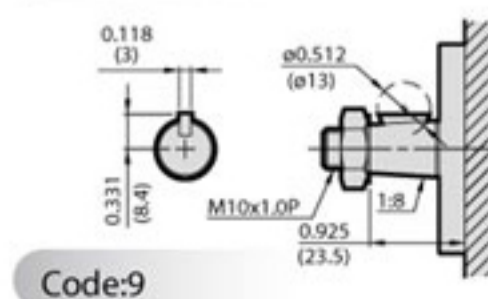
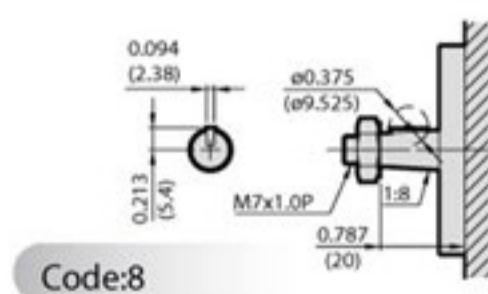
Code	From "01" to "06"		From "07" to "13"	
	INLET	OUTLET	INLET	OUTLET
U	UNF#8 3/4"-16	UNF#6 9/16"-18	UNF#10 7/8"-14	UNF#8 3/4"-16
P	PT 1/2"	PT 3/8"	PT 3/4"	PT 1/2"
N	NPT 1/2"	NPT 3/8"	NPT 3/4"	NPT 1/2"
B	BSPF 1/2"	BSPF 3/8"	BSPF 3/4"	BSPF 1/2"

DRIVE SHAFTS

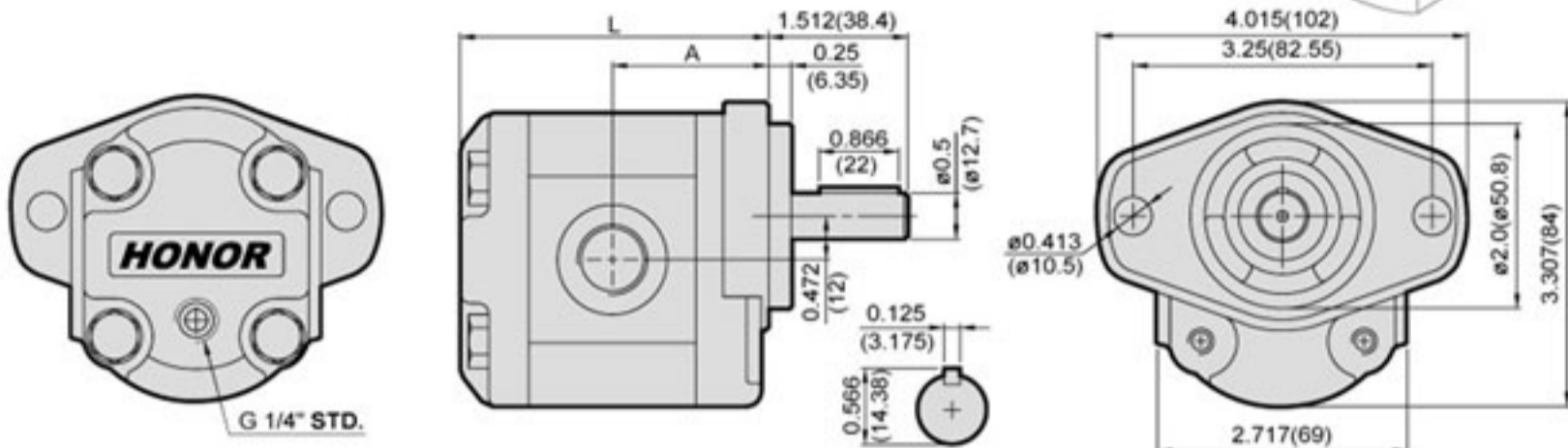
SUITABLE FOR **G** **M** FLANGE



SUITABLE FOR **C** **E** FLANGE



OVERALL DIMENSIONS



ORDERING EXAMPLE

For Example **1** **M** **M** **2** **U** **□□**
 SERIES TYPE FLANGE SHAFT PORT DISPL.
 If you need pump with displ.0.31 c.i.r , the model number is : **1MM2U05**

※ Please note when using bi-directional or one direction or motor the case drain should not be plugged.

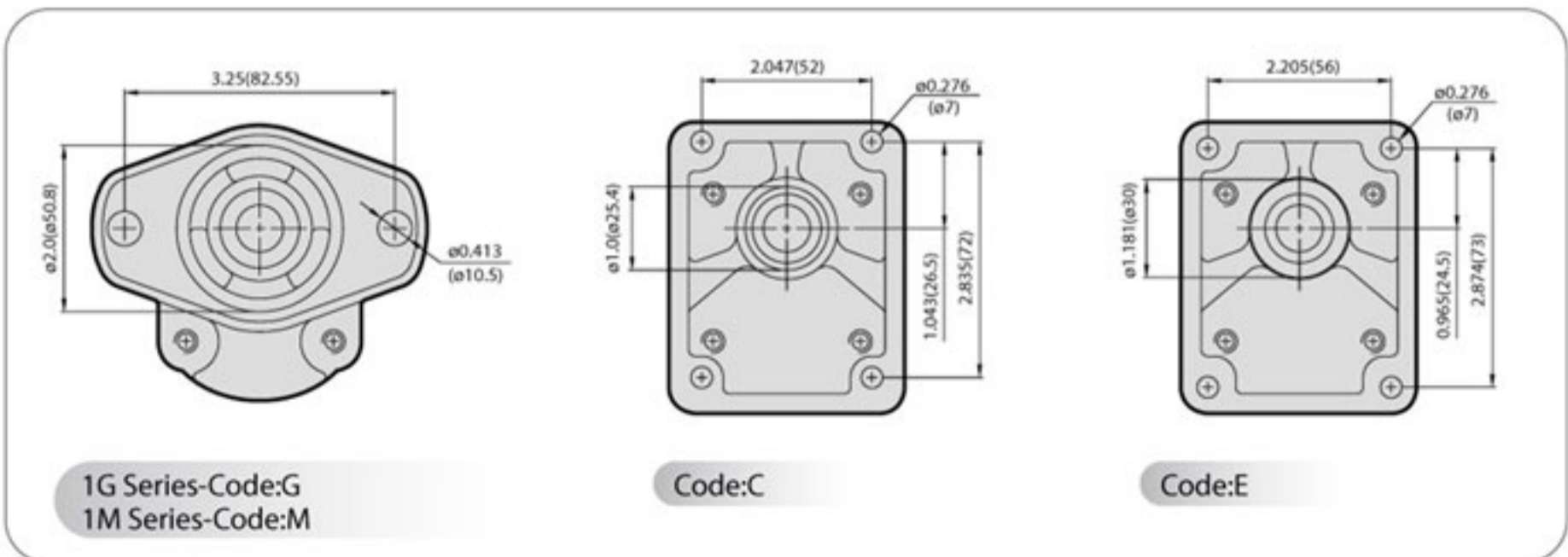
PERFORMANCE DATA

MODEL	DISPLACEMENT		PRESSURE psi(MPa)		RPM RANGE	DIMENSIONS inch (mm)		WEIGHT	
	c.i.r	cm ³ /r	CONTINUOUS	MAX.		A	L	Kg	LBS
01	0.08	1.3	3300(23)	3800(27)	600	1.655(42.0)	3.271(83.1)	1.75	3.85
02	0.12	2.0	3300(23)	3800(27)		1.694(43.0)	3.350(85.1)	1.79	3.94
27	0.16	2.7	3300(23)	3800(27)		1.734(44.0)	3.428(87.1)	1.83	4.03
35	0.21	3.4	3300(23)	3800(27)		1.773(45.0)	3.507(89.1)	1.86	4.09
04	0.25	4.1	3300(23)	3800(27)	4000	1.813(46.0)	3.586(91.1)	1.90	4.18
05	0.31	5.1	3300(23)	3800(27)		1.872(47.5)	3.704(94.1)	1.95	4.29
06	0.37	6.1	3300(23)	3800(27)		1.931(49.0)	3.822(97.1)	2.00	4.40
07	0.45	7.4	3100(22)	3500(25)	(*)2500	2.009(51.0)	3.980(101.1)	2.06	4.53

*More then 2500 qualified per applications.

Code	PORTS	
	From "01" to "06"	MODEL "07"
	INLET & OUTLET	INLET & OUTLET
U	UNF#8 3/4"-16	UNF# 10 7/8"-14
P	PT 1/2"	PT 3/4"
N	NPT 1/2"	NPT 3/4"
B	BSPF 1/2"	BSPF 3/4"

MOUNTING FLANGES

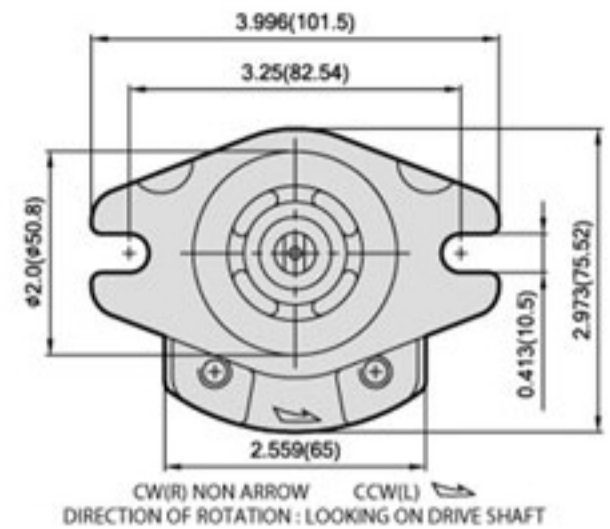
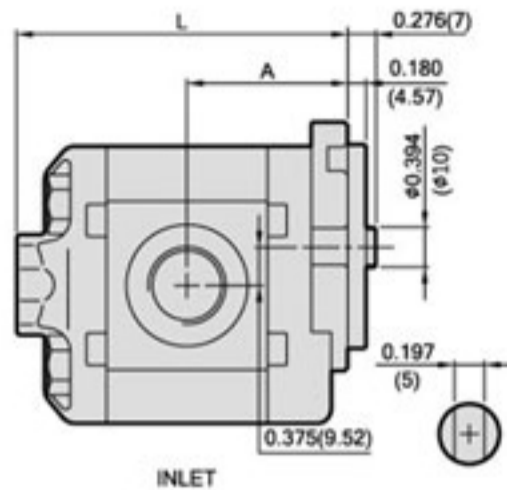


1G Series-Code:G
1M Series-Code:M

Code:C

Code:E

OVERALL DIMENSIONS



ORDERING EXAMPLE

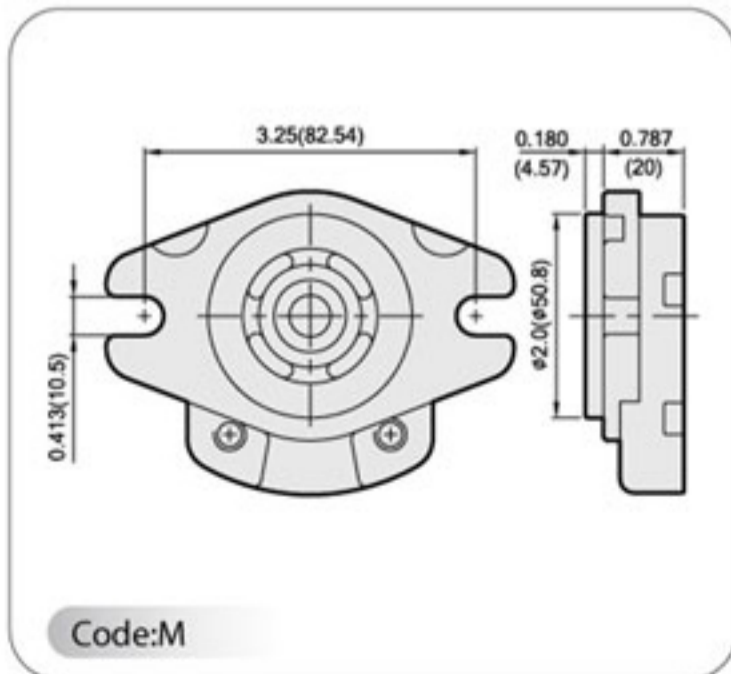
For Example **1** **P** **M** **1** **U** **□□** **□**
 SERIES TYPE FLANGE SHAFT PORT DISPL. ROTATION
 If you need pump with displ.0.19 c.i.r and rotation is cw, the model number is: **1PM1U03R**

PERFORMANCE DATA

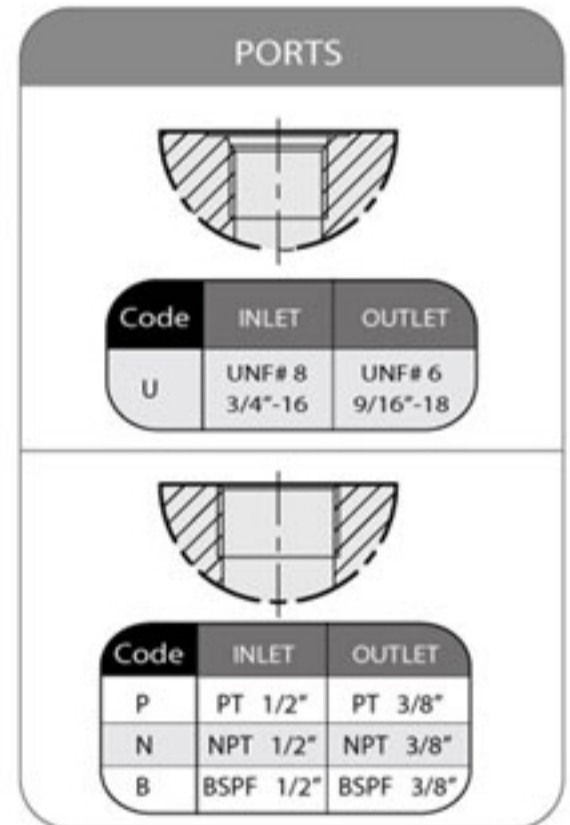
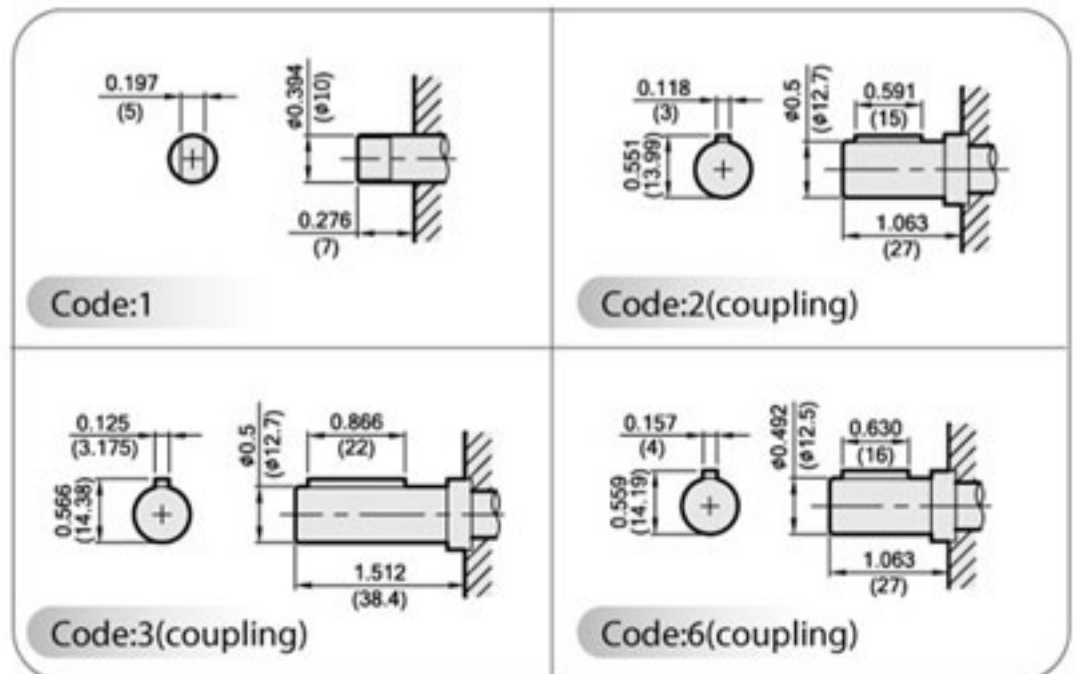
MODEL	DISPLACEMENT		PRESSURE psi(MPa)		RPM RANGE	DIMENSIONS inch (mm)		WEIGHT	
	c.i.r	cm ³ /r	CONTINUOUS	MAX.		A	L	Kg	LBS
05	0.05	0.8	3000(21)	3600(25)	600 4000	1.476(37.5)	3.050(77.5)	0.76	1.67
01	0.06	1.1	3000(21)	3600(25)		1.496(38.0)	3.090(78.5)	0.77	1.69
13	0.08	1.3	3000(21)	3600(25)		1.516(38.5)	3.129(79.5)	0.78	1.72
16	0.10	1.6	3000(21)	3600(25)		1.535(39.0)	3.169(80.5)	0.79	1.74
02	0.13	2.1	3000(21)	3600(25)		1.575(40.0)	3.247(82.5)	0.82	1.80
26	0.16	2.6	3000(21)	3600(25)		1.614(41.0)	3.326(84.5)	0.84	1.85
03	0.19	3.2	3000(21)	3600(25)	600 (*2500)	1.654(42.0)	3.405(86.5)	0.87	1.91
37	0.22	3.7	3000(21)	3600(25)		1.693(43.0)	3.483(88.5)	0.89	1.96
04	0.25	4.2	2550(18)	3000(21)		1.732(44.0)	3.562(90.5)	0.91	2.00
05	0.29	4.8	2550(18)	3000(21)		1.772(45.0)	3.641(92.5)	0.95	2.09
06	0.35	5.8	1980(14)	2300(16)		1.850(47.0)	3.798(96.5)	1.00	2.20
07	0.48	7.9	1980(14)	2300(16)		2.008(51.0)	4.113(104.5)	1.08	2.38
09	0.54	8.8	1980(14)	2300(16)		2.087(53.0)	4.271(108.5)	1.13	2.50

*More then 2500 qualified per applications.

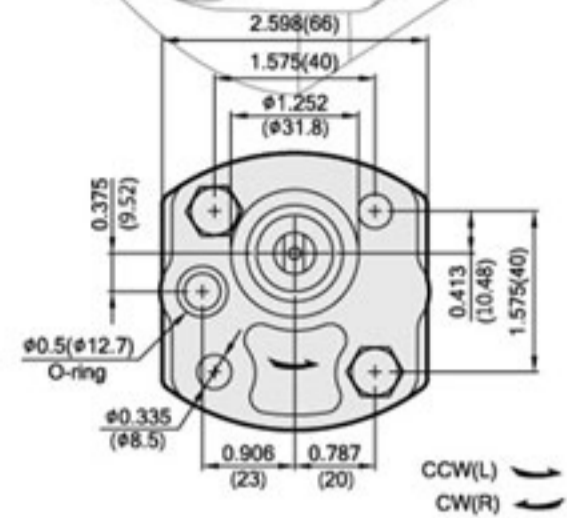
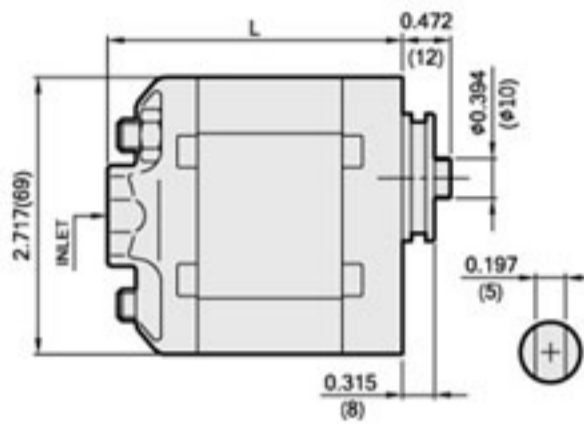
MOUNTING FLANGES



DRIVE SHAFTS



OVERALL DIMENSIONS



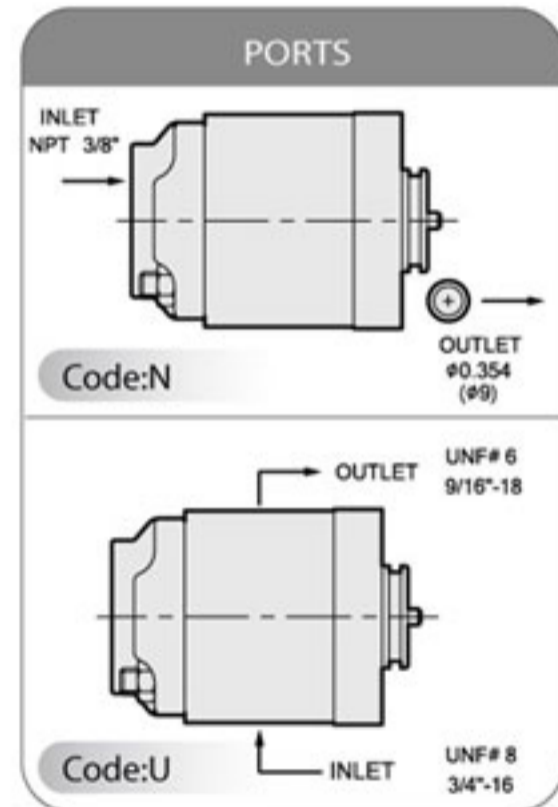
ORDERING EXAMPLE

For Example **1** **K** **H** **1** **N** **□□** **□**
 SERIES TYPE FLANGE SHAFT PORT DISPL. ROTATION
 If you need pump with displ.0.19 c.i.r and rotation is cw, the model number is : **1KH1N03R**

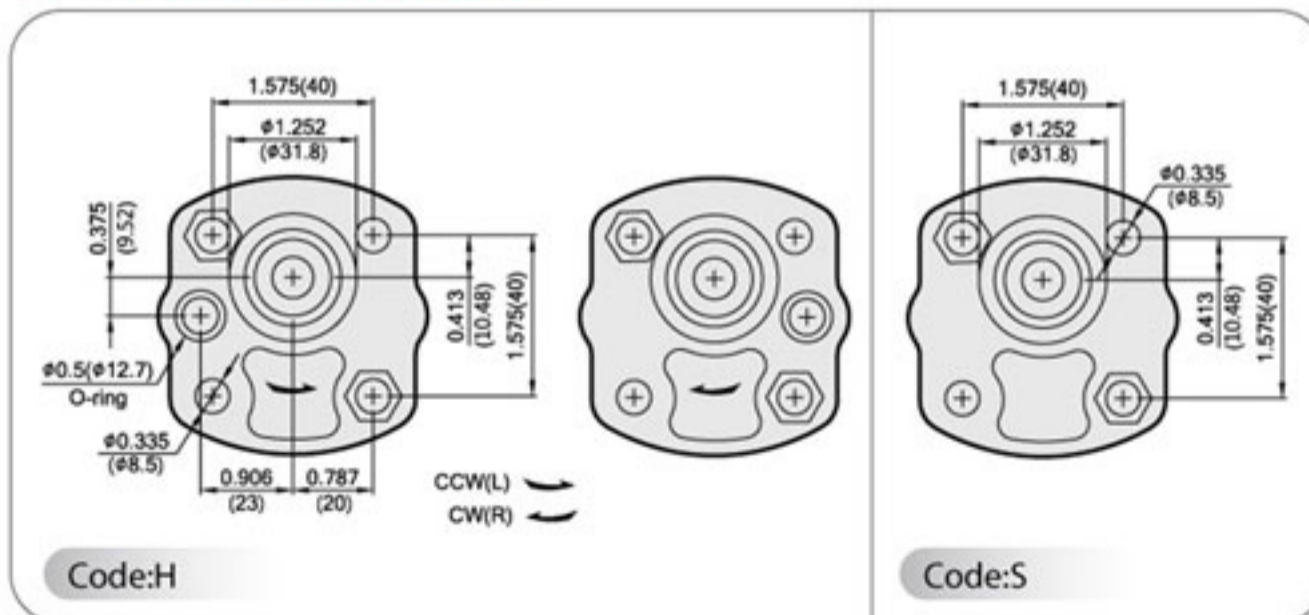
PERFORMANCE DATA

MODEL	DISPLACEMENT		PRESSURE psi(MPa)		RPM RANGE	DIMENSIONS inch (mm)		WEIGHT	
	c.i.r	cm ³ /r	CONTINUOUS	MAX.		L	Kg	LBS	
05	0.05	0.8	3000(21)	3600(25)	600	2.854(72.5)	0.68	1.49	
01	0.06	1.1	3000(21)	3600(25)		2.893(73.5)	0.69	1.52	
13	0.08	1.3	3000(21)	3600(25)		2.932(74.5)	0.70	1.53	
16	0.10	1.6	3000(21)	3600(25)		2.972(75.5)	0.71	1.55	
02	0.13	2.1	3000(21)	3600(25)		3.050(77.5)	0.74	1.62	
26	0.16	2.6	3000(21)	3600(25)	4000	3.129(79.5)	0.76	1.66	
03	0.19	3.2	3000(21)	3600(25)		3.208(81.5)	0.79	1.73	
37	0.22	3.7	3000(21)	3600(25)		3.287(83.5)	0.81	1.77	
04	0.25	4.2	2550(18)	3000(21)	600 (*)2500	3.365(85.5)	0.83	1.82	
05	0.29	4.8	2550(18)	3000(21)		3.444(87.5)	0.87	1.90	
06	0.35	5.8	1980(14)	2300(16)		3.602(91.5)	0.92	2.01	
07	0.48	7.9	1980(14)	2300(16)		3.916(99.5)	1.00	2.19	
09	0.54	8.8	1980(14)	2300(16)		4.074(103.5)	1.05	2.30	

*More then 2500 qualified per applications.



MOUNTING FLANGES



DRIVE SHAFTS

