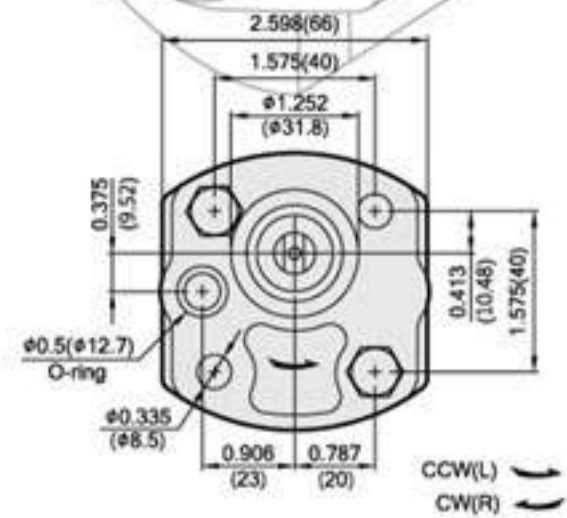
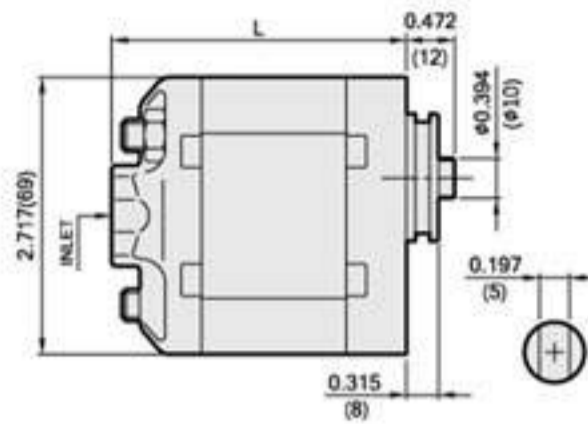


OVERALL DIMENSIONS



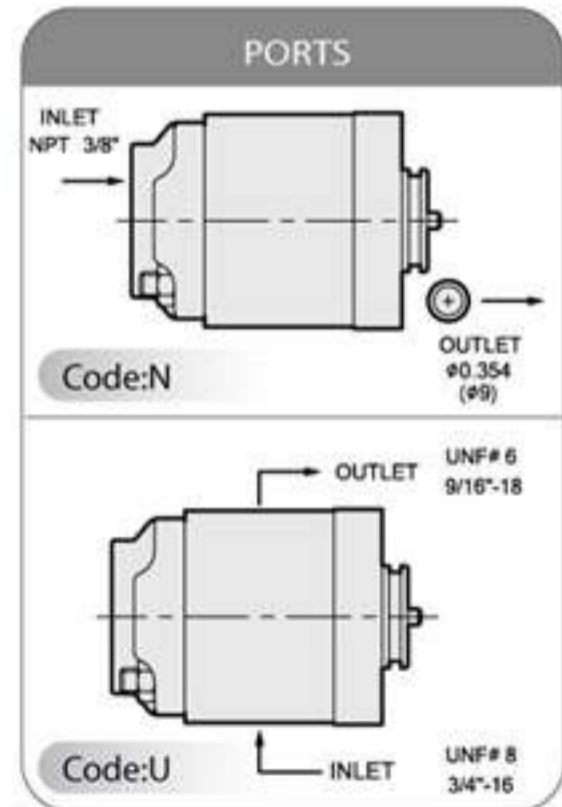
ORDERING EXAMPLE

For Example **1** **K** **H** **1** **N** **□□** **□**  
 SERIES TYPE FLANGE SHAFT PORT DISPL. ROTATION  
 If you need pump with displ.0.19 c.i.r and rotation is cw, the model number is: **1KH1N03R**

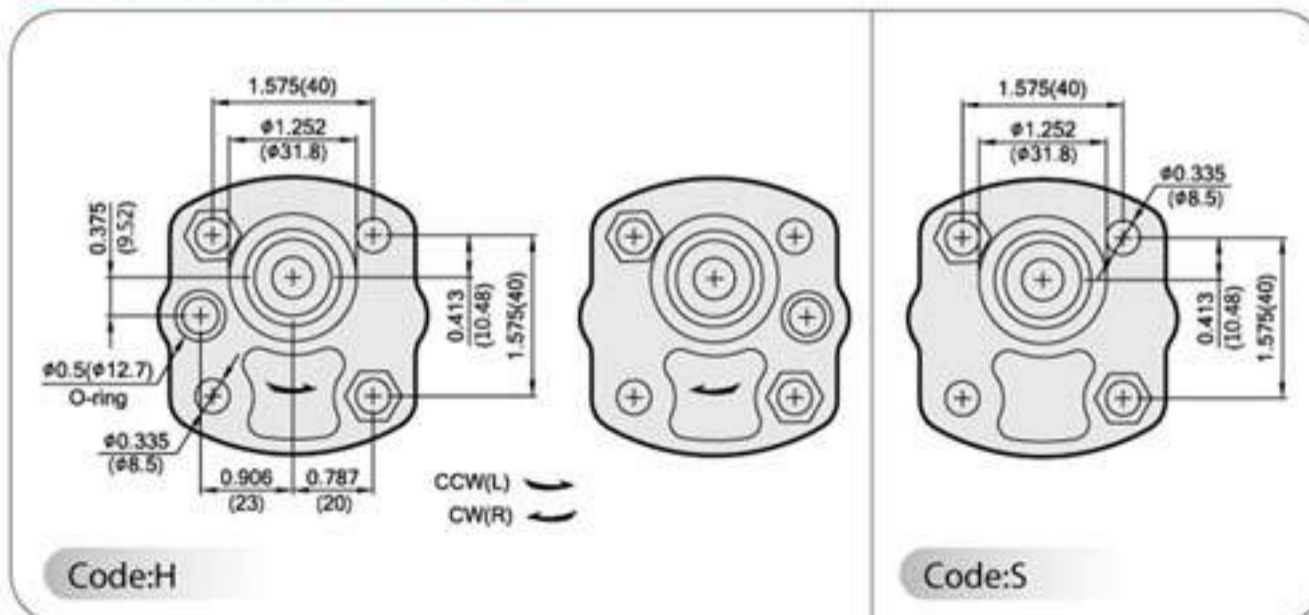
PERFORMANCE DATA

MODEL	DISPLACEMENT		PRESSURE psi(MPa)		RPM RANGE	DIMENSIONS inch (mm)		WEIGHT	
	c.i.r	cm <sup>3</sup> /r	CONTINUOUS	MAX.		L	Kg	LBS	
05	0.05	0.8	3000(21)	3600(25)	600   4000	2.854(72.5)	0.68	1.49	
01	0.06	1.1	3000(21)	3600(25)		2.893(73.5)	0.69	1.52	
13	0.08	1.3	3000(21)	3600(25)		2.932(74.5)	0.70	1.53	
16	0.10	1.6	3000(21)	3600(25)		2.972(75.5)	0.71	1.55	
02	0.13	2.1	3000(21)	3600(25)		3.050(77.5)	0.74	1.62	
26	0.16	2.6	3000(21)	3600(25)	600   (* )2500	3.129(79.5)	0.76	1.66	
03	0.19	3.2	3000(21)	3600(25)		3.208(81.5)	0.79	1.73	
37	0.22	3.7	3000(21)	3600(25)		3.287(83.5)	0.81	1.77	
04	0.25	4.2	2550(18)	3000(21)		3.365(85.5)	0.83	1.82	
05	0.29	4.8	2550(18)	3000(21)		3.444(87.5)	0.87	1.90	
06	0.35	5.8	1980(14)	2300(16)	3.602(91.5)	0.92	2.01		
07	0.48	7.9	1980(14)	2300(16)	3.916(99.5)	1.00	2.19		
09	0.54	8.8	1980(14)	2300(16)	4.074(103.5)	1.05	2.30		

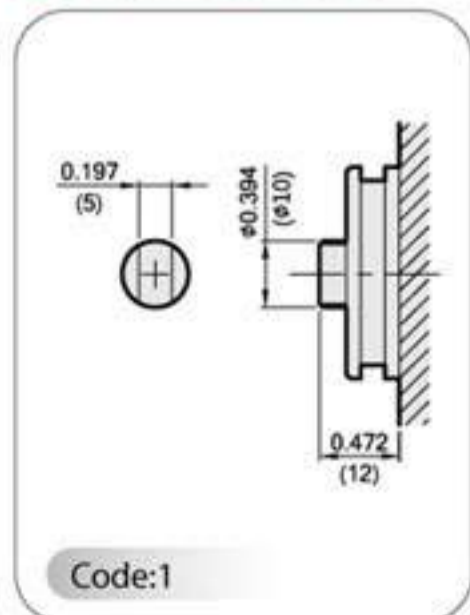
\*More than 2500 qualified per applications.



MOUNTING FLANGES



DRIVE SHAFTS



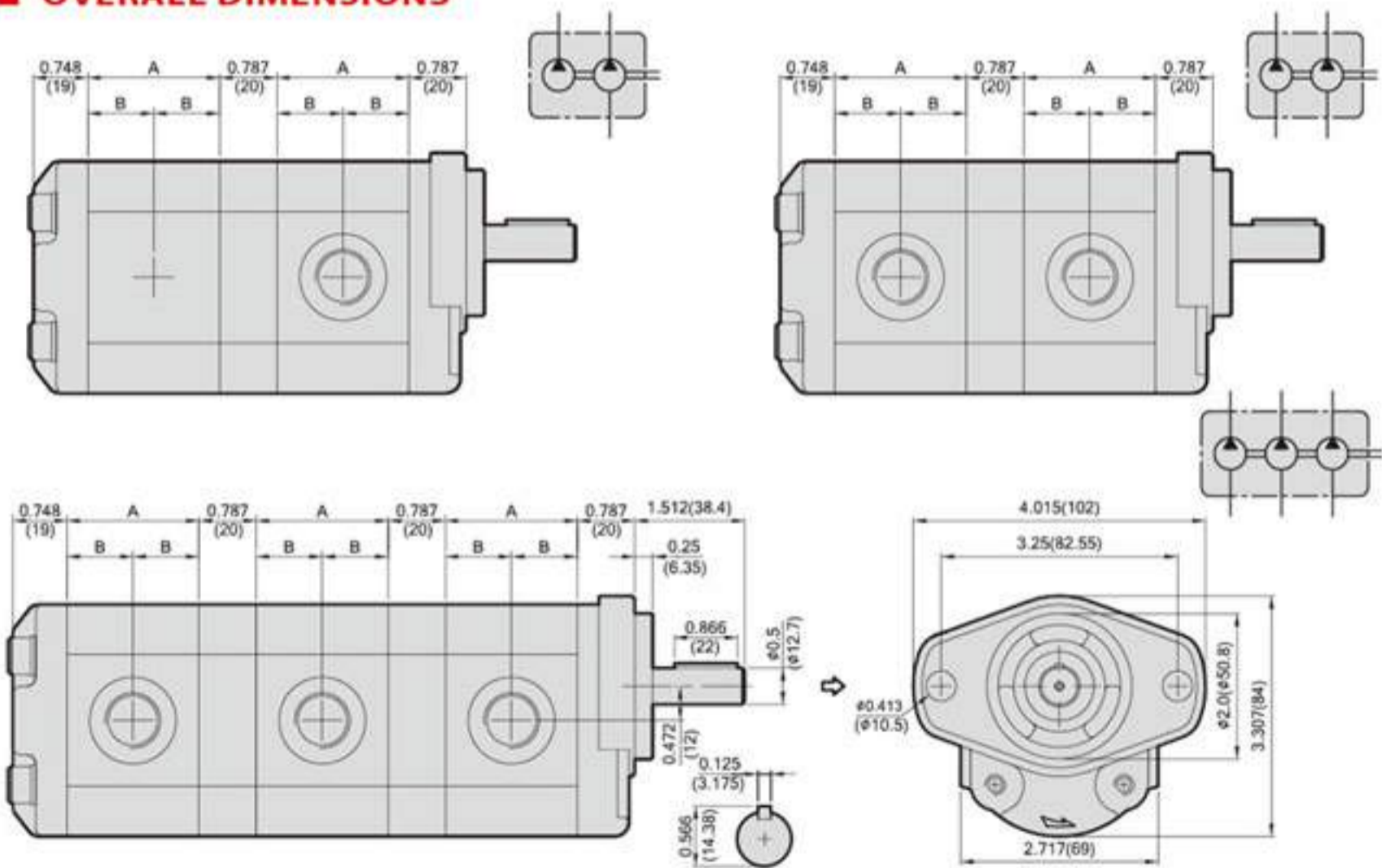


ORDERING EXAMPLE

<b>1</b>	<b>□</b>	<b>□</b>	<b>G</b>	<b>1</b>	<b>B</b>	<b>U</b>	<b>□</b>	<b>□</b>	<b>□</b>	<b>□</b>
SERIES	TYPE	MATERIAL	MOUNTING FLANGE	DRIVE SHAFT	INLET/OUTLET CODE	PORT	DISPLACEMENT			R: CW L: CCW
D: Double Pumps T: Multiple Pumps		C: Cast Iron A: Aluminum Metals		A: Common Inlet (Double Pump only) B: Separate Inlet						

If requires multiple pumps with cast iron mounting flange › rear cover and center plate with front pump displ. 0.37 c.i.r › center pump 0.25 c.i.r › rear pump 0.12 c.i.r and rotation is cw › the model number is : **1TCG2BU060402R**

OVERALL DIMENSIONS



※ Any requirement for mounting flange / drive shaft / in & out ports, please refer to 1A OR 1G series specifications

CW(R) NON ARROW CCW(L) DIRECTION OF ROTATION : LOOKING ON DRIVE SHAFT

MODEL	01	02	27	35	04	05	06	07	09	11
c.i.r	0.08	0.12	0.16	0.21	0.25	0.31	0.37	0.45	0.55	0.67
cm <sup>3</sup> /r	1.3	2.0	2.7	3.4	4.1	5.1	6.1	7.4	9.1	11.0
A	1.732(44)	1.811(46)	1.890(48)	1.969(50)	2.047(52)	2.165(55)	2.283(58)	2.441(62)	2.638(67)	2.874(73)
B	0.866(22)	0.906(23)	0.945(24)	0.984(25)	1.024(26)	1.083(27.5)	1.142(29)	1.220(31)	1.319(33.5)	1.437(36.5)



ORDERING EXAMPLE

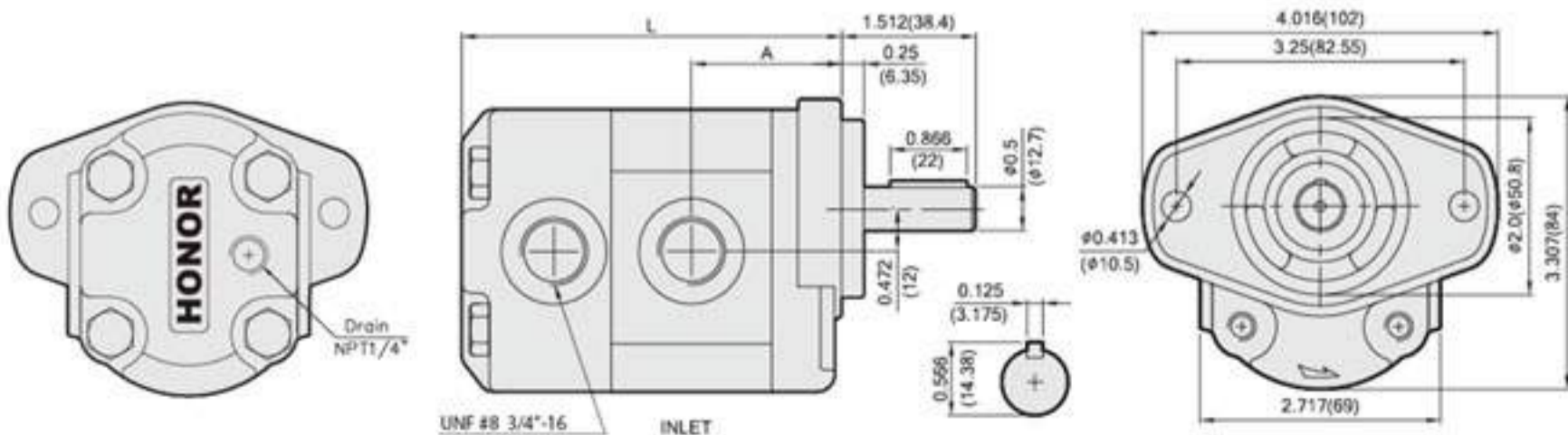
For Example **1** **V** **G** **2** **U** **□□** **□**  
 SERIES TYPE FLANGE SHAFT PORT DISPL. ROTATION  
 If you need pump with displ.0.31 c.i.r and rotation is cw, the model number is: **1VG2U05R**

PERFORMANCE DATA

MODEL	DISPLACEMENT		PRESSURE psi(MPa)		RPM RANGE	DIMENSIONS inch(mm)		WEIGHT	
	c.i.r	cm <sup>3</sup> /r	CONTINUOUS	MAX.		A	L	Kg	LBS
01	0.08	1.3	3000(21)	3600(25)	600	1.655(42.0)	4.216(107.1)	2.47	5.43
02	0.12	2.0	3000(21)	3600(25)		1.694(43.0)	4.294(109.1)	2.51	5.52
27	0.16	2.7	3000(21)	3600(25)		1.734(44.0)	4.373(111.1)	2.55	5.61
35	0.21	3.4	3000(21)	3600(25)		1.773(45.0)	4.452(113.1)	2.58	5.68
04	0.25	4.1	3000(21)	3600(25)	4000	1.813(46.0)	4.531(115.1)	2.62	5.76
05	0.31	5.1	3000(21)	3600(25)		1.872(47.5)	4.649(118.1)	2.67	5.87
06	0.37	6.1	3000(21)	3600(25)		1.931(49.0)	4.767(121.1)	2.72	5.98
07	0.45	7.4	2850(20)	3300(23)		2.009(51.0)	4.924(125.1)	2.78	6.12
09	0.55	9.1	2550(18)	2850(20)	600 (*2500)	2.108(53.5)	5.121(130.1)	2.86	6.29
11	0.67	11.0	2300(16)	2550(18)		2.226(56.5)	5.358(136.1)	2.95	6.49
13	0.82	13.5	2300(16)	2550(18)		2.364(60.0)	5.634(143.1)	3.06	6.73

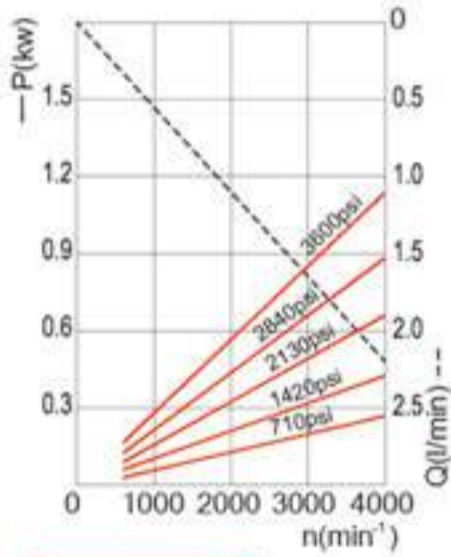
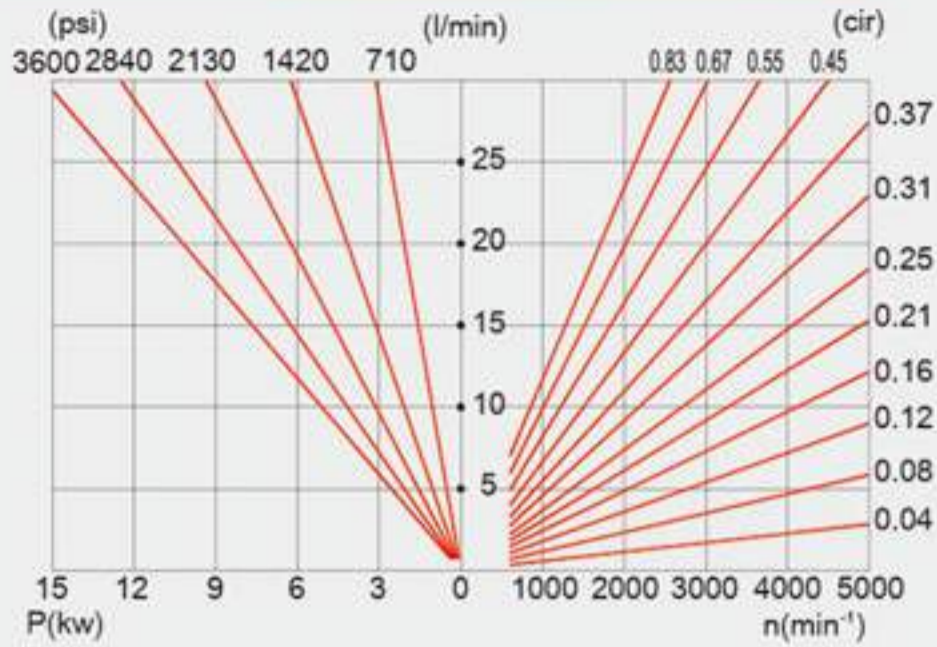
\*More than 2500 qualified per applications.

OVERALL DIMENSIONS

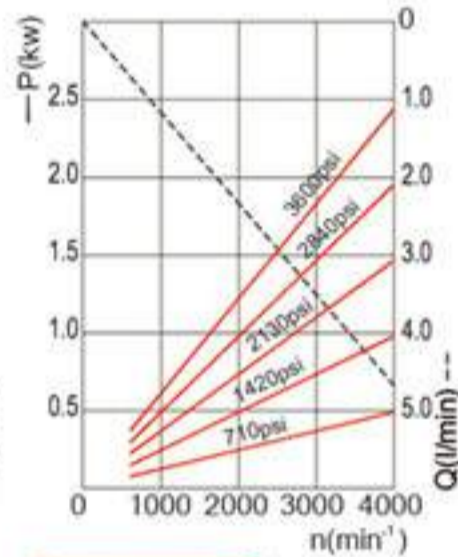


\*Any requirement for mounting flange / drive shaft, please refer to 1G series specifications

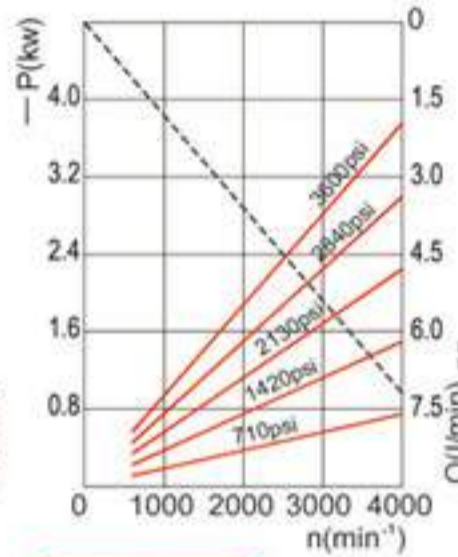
CW(R) NON ARROW CCW(L) DIRECTION OF ROTATION: LOOKING ON DRIVE SHAFT



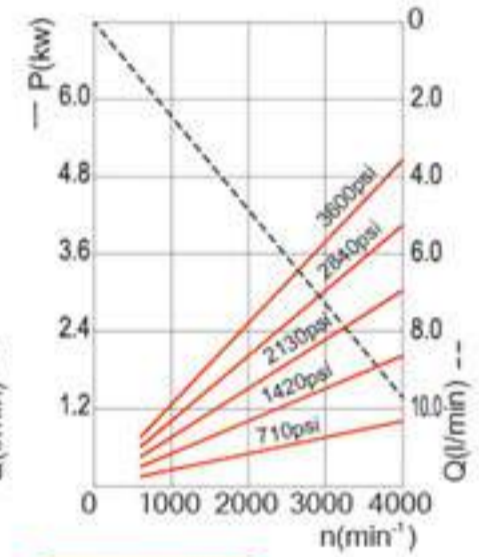
MODEL:05



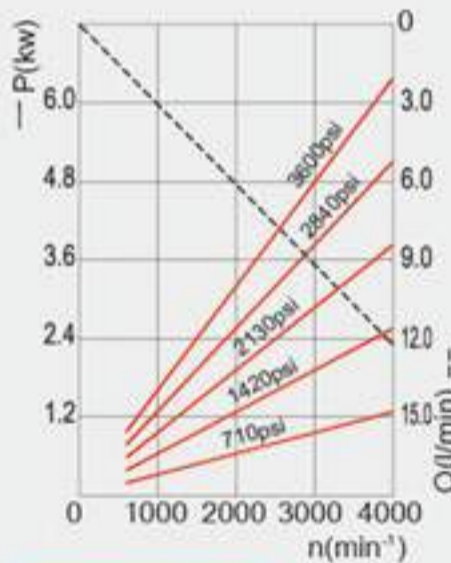
MODEL:01



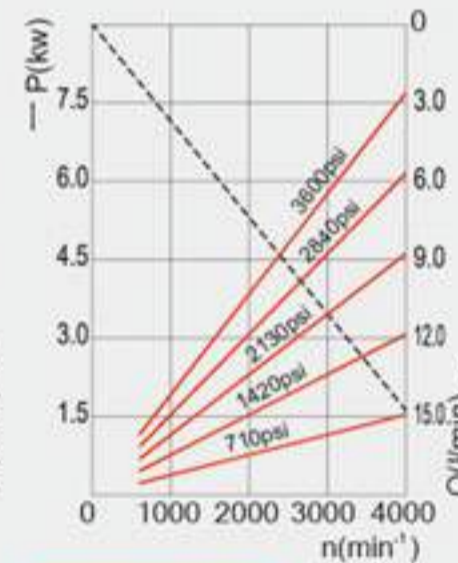
MODEL:02



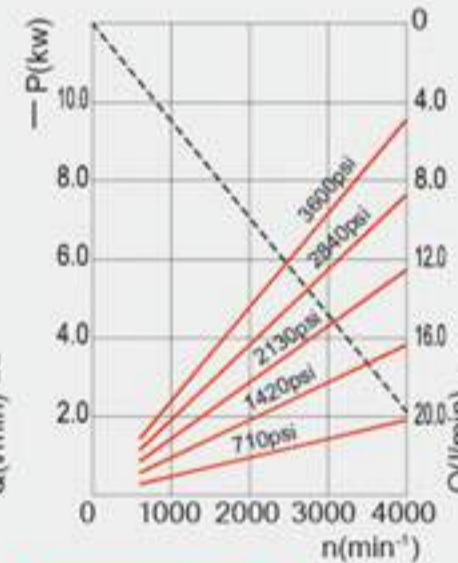
MODEL:27



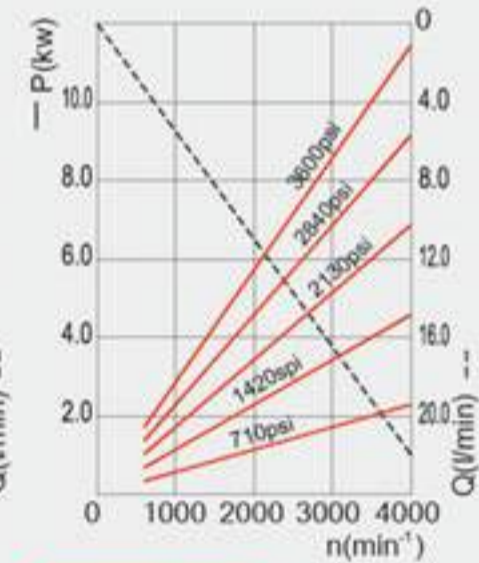
MODEL:35



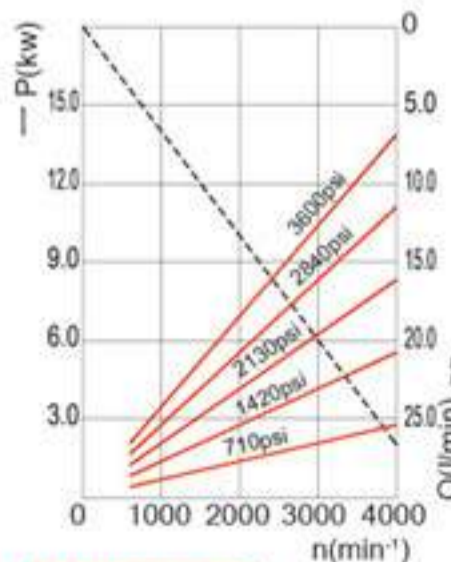
MODEL:04



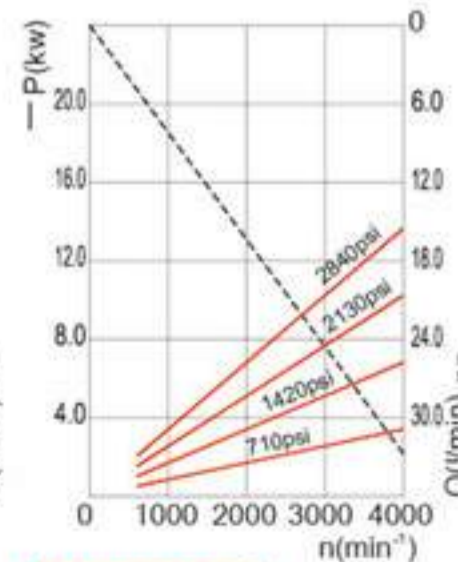
MODEL:05



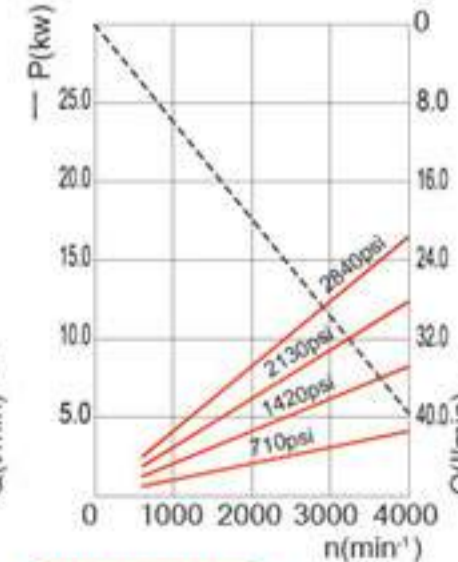
MODEL:06



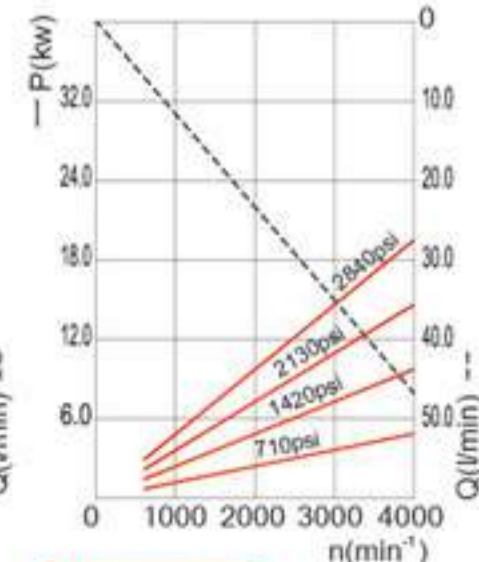
MODEL:07



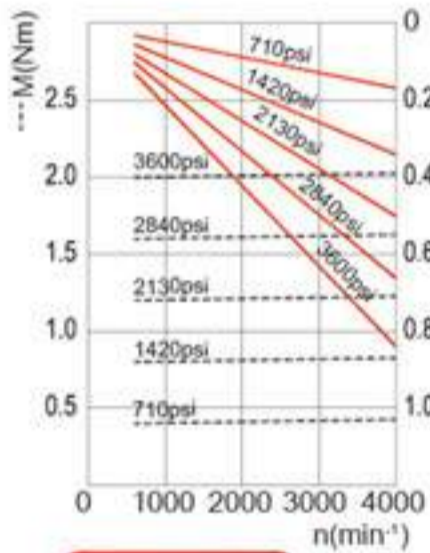
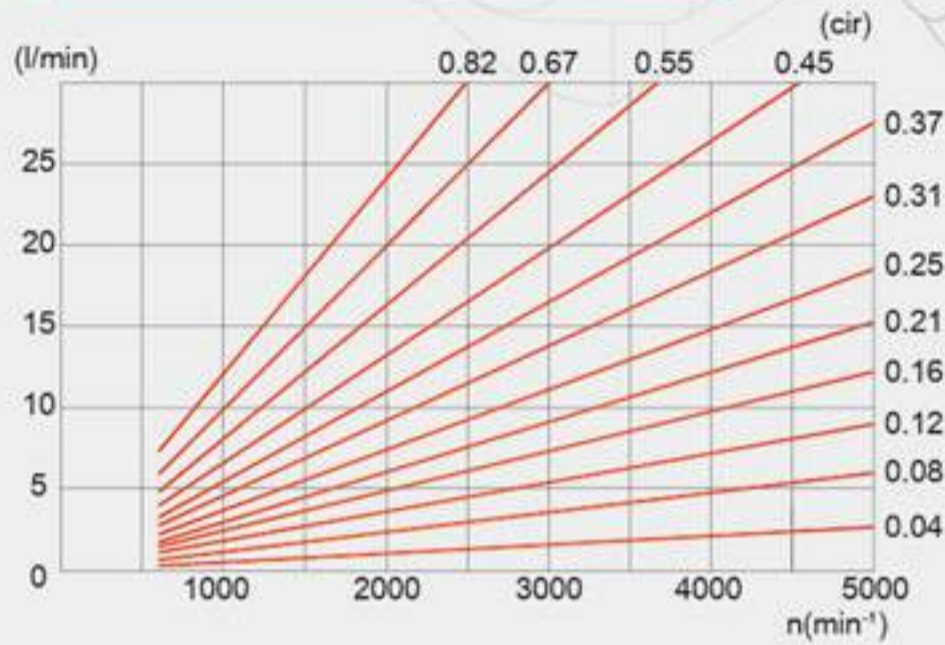
MODEL:09



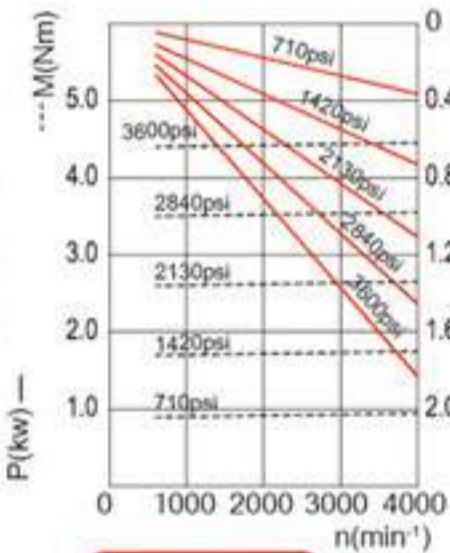
MODEL:11



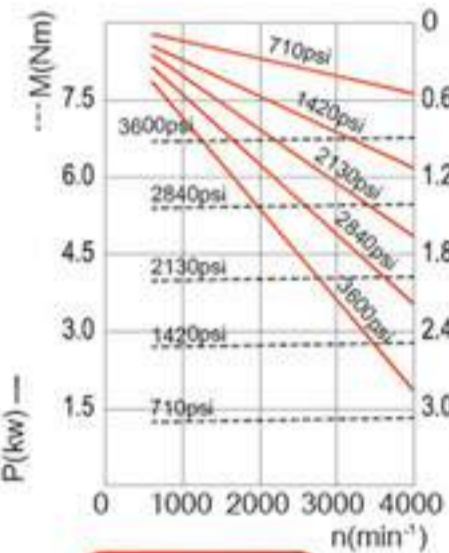
MODEL:13



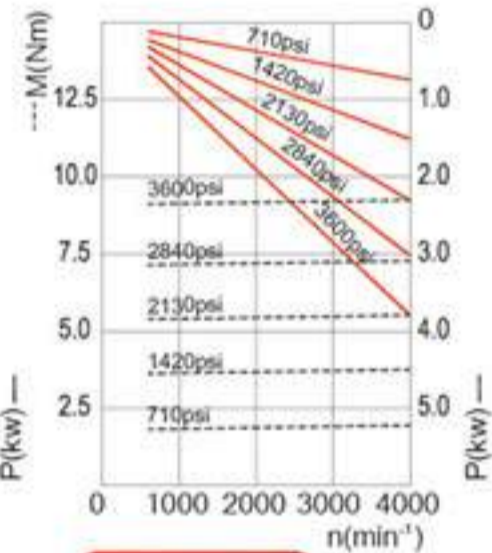
MODEL:05



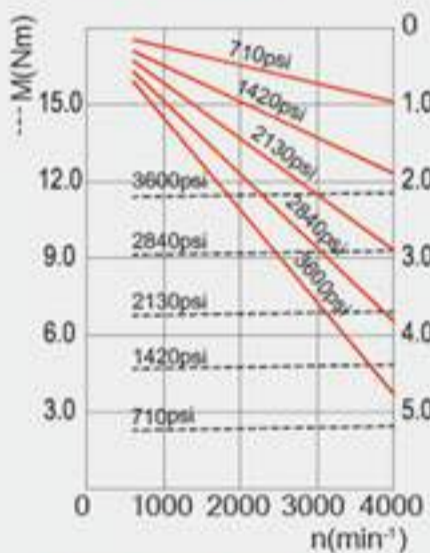
MODEL:01



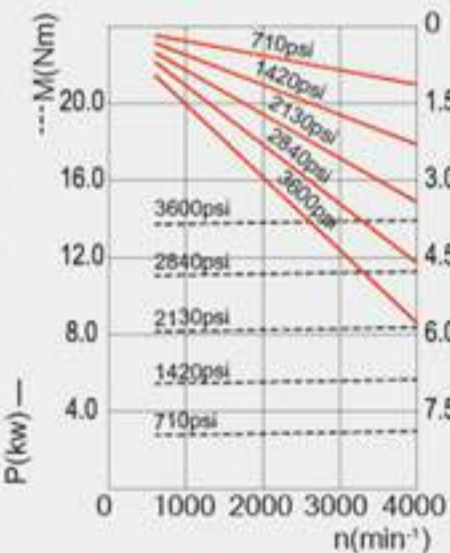
MODEL:02



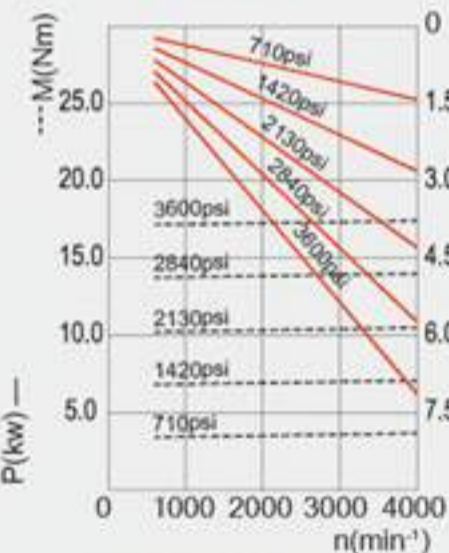
MODEL:27



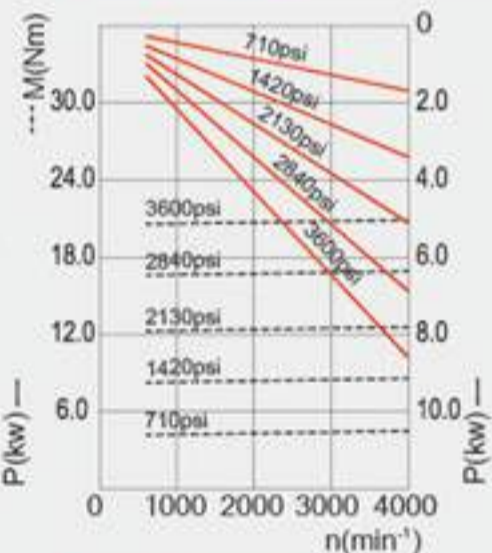
MODEL:35



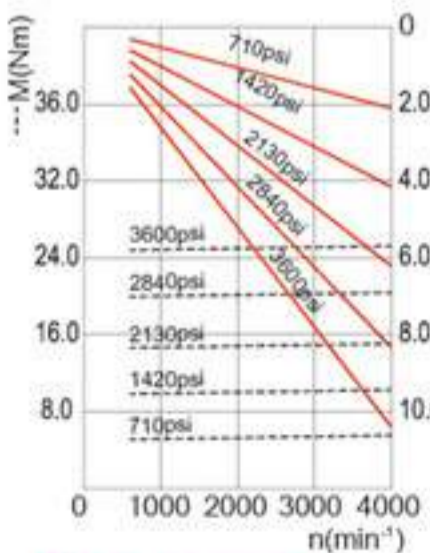
MODEL:04



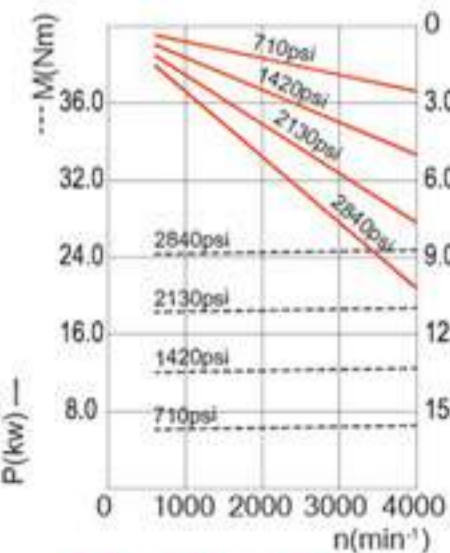
MODEL:05



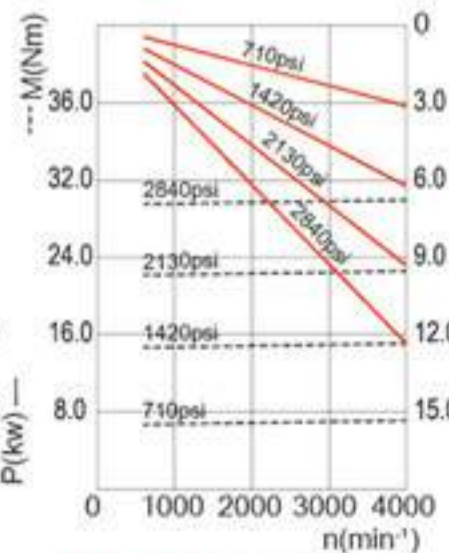
MODEL:06



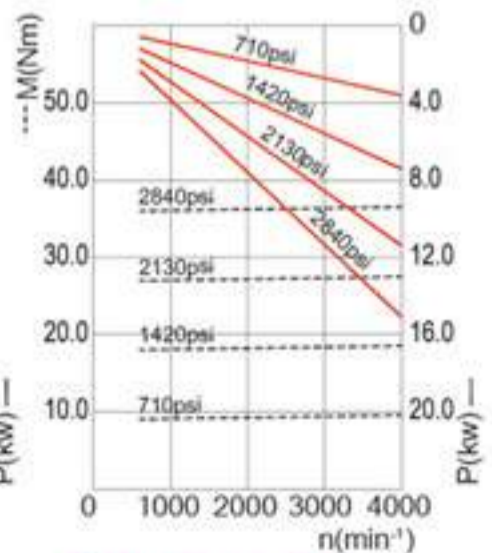
MODEL:07



MODEL:09



MODEL:11



MODEL:13