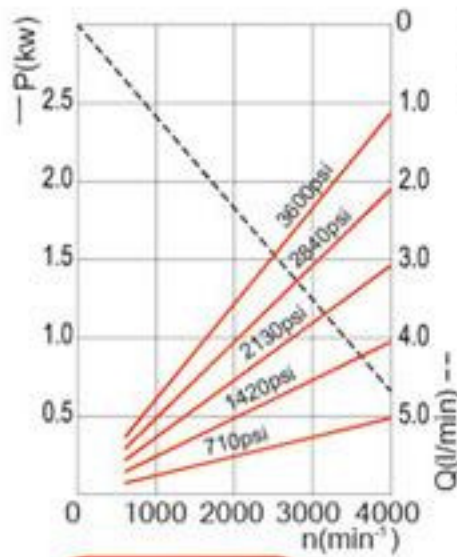
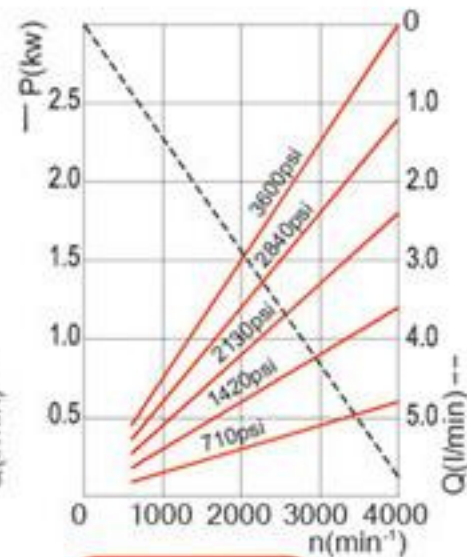


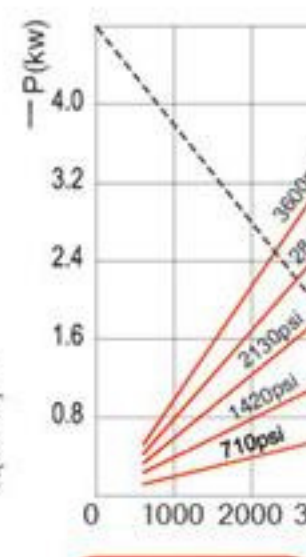
MODEL:01



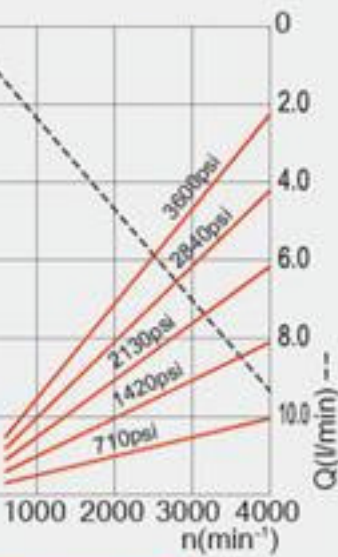
MODEL:13



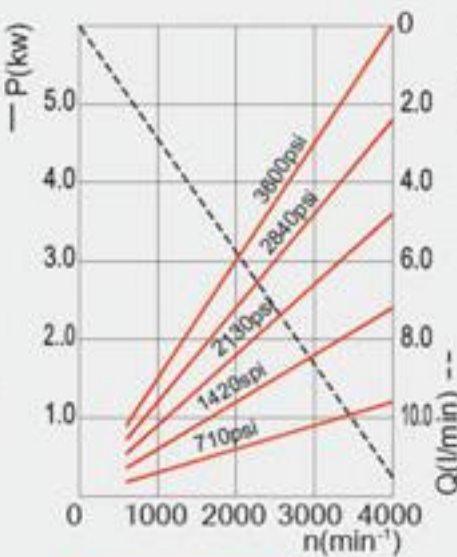
MODEL:16



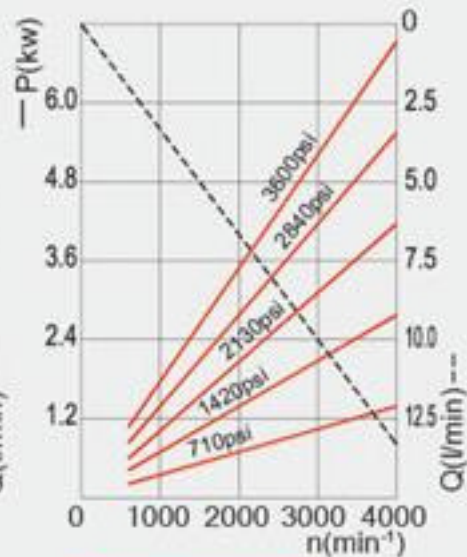
MODEL:02



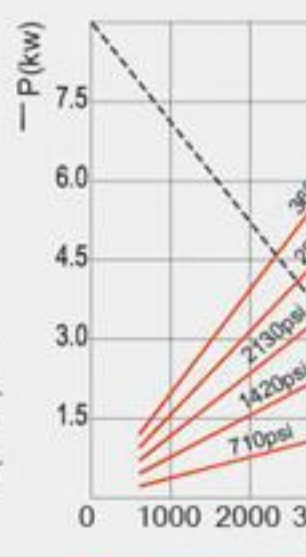
MODEL:26



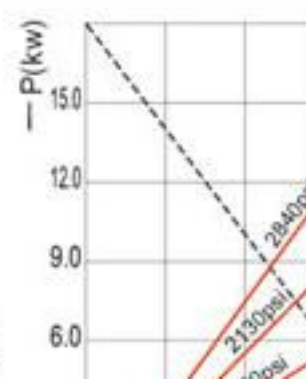
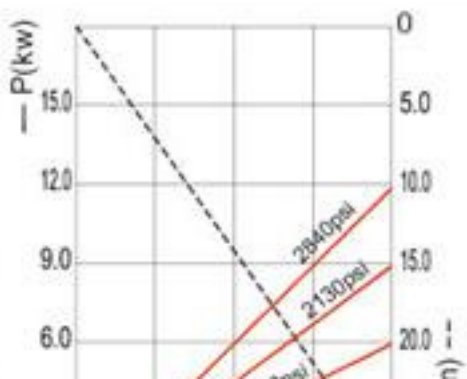
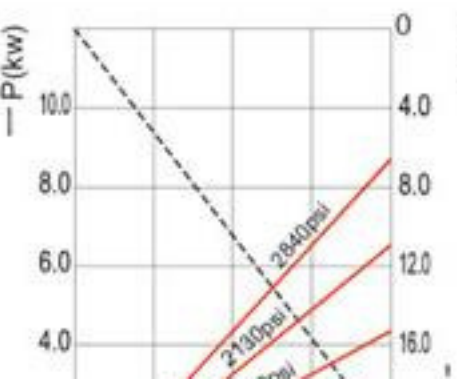
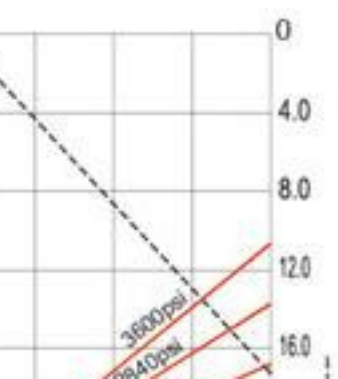
MODEL:03

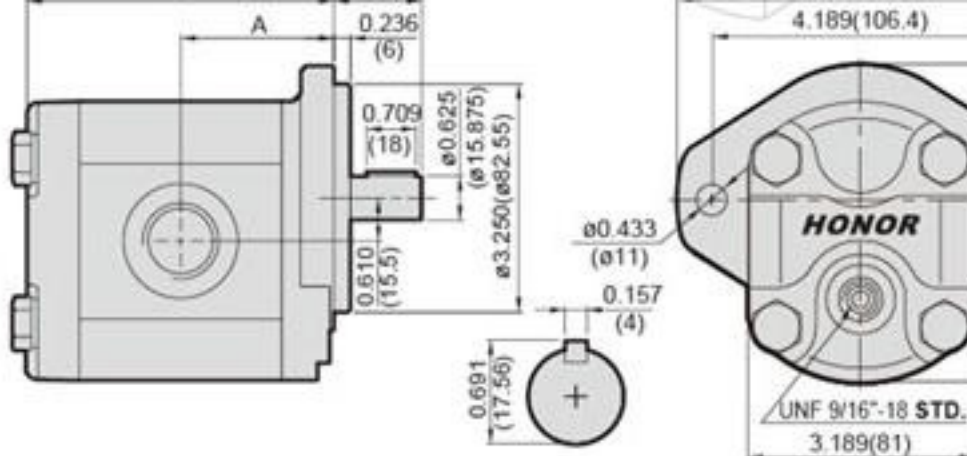


MODEL:37



MODEL:04





ORDERING EXAMPLE

For Example

2

SERIES

M

TYPE

M

FLANGE

1

SHAFT

U

PORT

□□

DISPL.

If you need pump with displ.0.98 c.i.r , the model number is : **2MM1U16**

※ Please note when using bi-directional or one direction or motor the case drain should not be plugged.

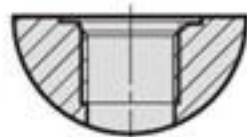
PERFORMANCE DATA

DISPLACEMENT		PRESSURE psi(MPa)		RPM RANGE	DIMENSIONS inch (mm)		WEIGHT	
c.i.r	cm ³ /r	CONTINUOUS	MAX.		A	L	Kg	LBS
0.24	4.0	3500(25)	4200(30)	600 4000	1.658(42.1)	3.433(87.2)	3.23	7.11
0.30	5.0	3500(25)	4200(30)		1.687(42.9)	3.493(88.7)	3.27	7.19
0.38	6.2	3500(25)	4200(30)		1.717(43.6)	3.552(90.2)	3.32	7.30
0.43	7.0	3500(25)	4200(30)		1.746(44.4)	3.611(91.7)	3.36	7.39
0.52	8.4	3500(25)	4200(30)		1.796(45.6)	3.709(94.2)	3.41	7.50
0.58	9.5	3500(25)	4200(30)		1.825(46.4)	3.768(95.7)	3.45	7.59
0.69	11.3	3500(25)	4200(30)		1.884(47.9)	3.886(98.7)	3.53	7.77
0.85	14.0	3500(25)	4200(30)		1.963(49.9)	4.044(102.7)	3.64	8.01
0.98	16.0	3500(25)	4200(30)		2.002(51.4)	4.162(105.7)	3.74	8.23
1.10	18.0	3500(25)	4200(30)		2.081(52.9)	4.280(108.7)	3.80	8.36
1.20	19.5	3300(23)	3800(27)	2.160(54.9)	4.437(112.7)	3.89	8.56	
1.31	21.5	3000(21)	3500(25)	2.180(55.4)	4.477(113.7)	3.96	8.71	
1.44	23.5	2550(18)	3100(22)	2.258(57.4)	4.634(117.7)	4.01	8.82	
1.53	25.0	2550(18)	3100(22)	600 (*)2500	2.317(58.9)	4.752(120.7)	4.10	9.02
1.71	28.0	2300(16)	2700(19)	2.396(60.9)	4.910(124.7)	4.19	9.22	
1.84	30.0	2100(15)	2550(18)	2.475(62.9)	5.067(128.7)	4.30	9.46	
2.02	33.0	2000(14)	2300(16)	2.554(64.9)	5.225(132.7)	4.41	9.70	

500 qualified per applications.

TS

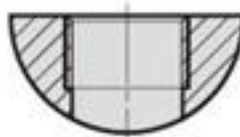
UNF



From "04" to "22"

From "24" to "33"

PT 、 NPT 、 BSPF



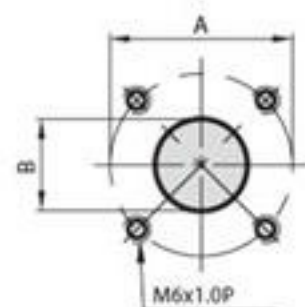
Code

From "04" to "22"

From "24" to "33"

PORTS

FLANGE(SQUARE)



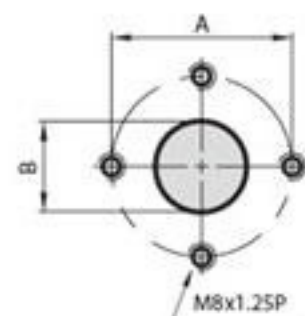
Code

From "04" to "33"

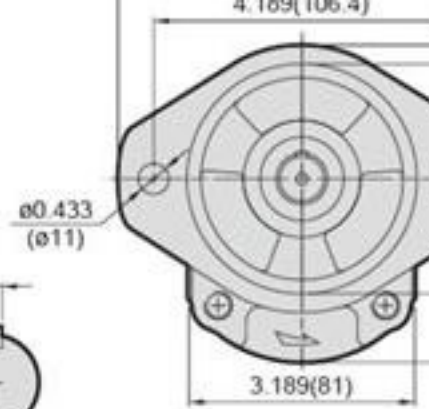
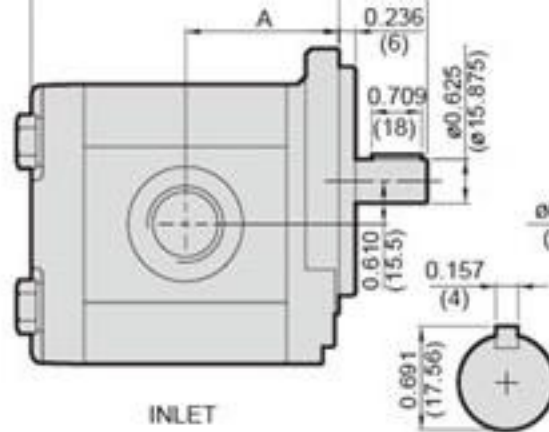
INLET & OUTLET

	A	B
F	ø1.575 (ø40)	ø0.787 (ø20)

FLANGE(DIAMOND)



From "04" to "33"



CW(R) NON ARROW CCW(L)
DIRECTION OF ROTATION : LOOKING O

ORDERING EXAMPLE

For Example **2** **G** **G** **1** **U**
 SERIES TYPE FLANGE SHAFT PORT DISPL. ROTATION

If you need pump with displ.0.98 c.i.r and rotation is cw, the model number is: **2GG1U16R**

PERFORMANCE DATA

MODEL	DISPLACEMENT		PRESSURE psi(MPa)		RPM RANGE	DIMENSIONS Inch (mm)		WEIGHT	
	c.i.r	cm ³ /r	CONTINUOUS	MAX.		A	L	Kg	LBS
4	0.24	4.0	3500(25)	4200(30)	600	1.658(42.1)	3.433(87.2)	3.23	7.11
5	0.30	5.0	3500(25)	4200(30)		1.687(42.9)	3.493(88.7)	3.27	7.19
6	0.38	6.2	3500(25)	4200(30)		1.717(43.6)	3.552(90.2)	3.32	7.30
7	0.43	7.0	3500(25)	4200(30)		1.746(44.4)	3.611(91.7)	3.36	7.39
8	0.52	8.4	3500(25)	4200(30)		1.796(45.6)	3.709(94.2)	3.41	7.50
9	0.58	9.5	3500(25)	4200(30)		1.825(46.4)	3.768(95.7)	3.45	7.59
1	0.69	11.3	3500(25)	4200(30)	4000	1.884(47.9)	3.886(98.7)	3.53	7.77
4	0.85	14.0	3500(25)	4200(30)		1.963(49.9)	4.044(102.7)	3.64	8.01
5	0.98	16.0	3500(25)	4200(30)		2.002(51.4)	4.162(105.7)	3.74	8.23
8	1.10	18.0	3500(25)	4200(30)		2.081(52.9)	4.280(108.7)	3.80	8.36
0	1.20	19.5	3300(23)	3800(27)		2.160(54.9)	4.437(112.7)	3.89	8.56
2	1.31	21.5	3000(21)	3500(25)		2.180(55.4)	4.477(113.7)	3.96	8.71
4	1.44	23.5	2550(18)	3100(22)	600	2.258(57.4)	4.634(117.7)	4.01	8.82
5	1.53	25.0	2550(18)	3100(22)		2.317(58.9)	4.752(120.7)	4.10	9.02
8	1.71	28.0	2300(16)	2700(19)		2.396(60.9)	4.910(124.7)	4.19	9.22
0	1.84	30.0	2100(15)	2550(18)		2.475(62.9)	5.067(128.7)	4.30	9.46
3	2.02	33.0	2000(14)	2300(16)		2.554(64.9)	5.225(132.7)	4.41	9.70
						(*)2500			

then 2500 qualified per applications.

DRIVE SHAFTS

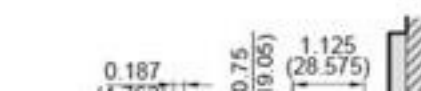
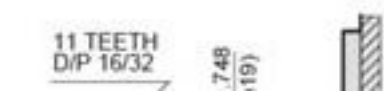
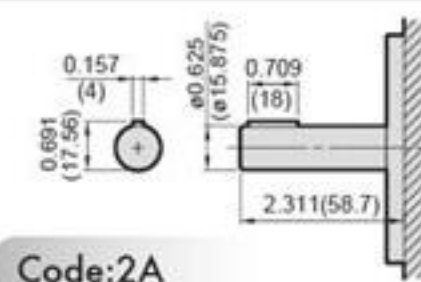
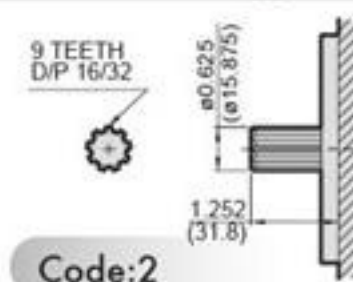
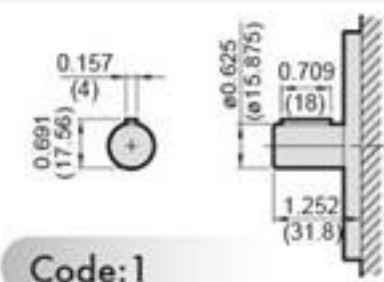
DRIVE SHAFTS

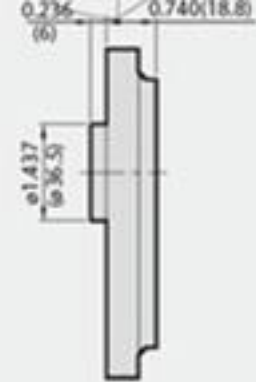
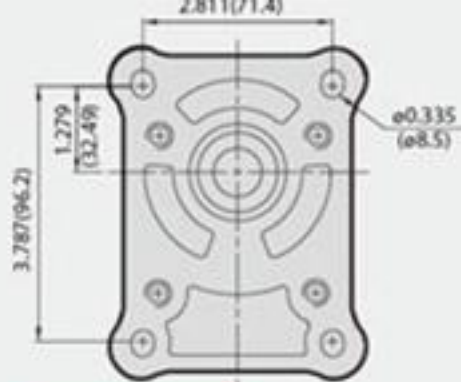
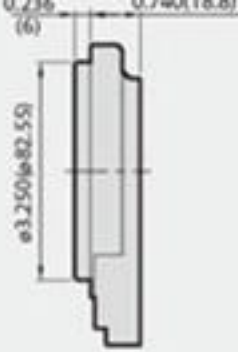
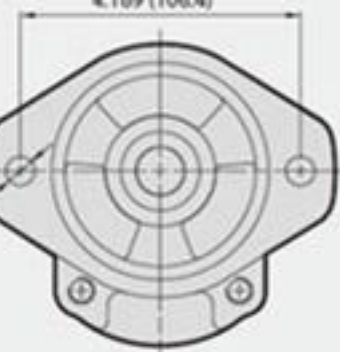
SUITABLE FOR **C E R** FLANGE

Code:4

Code:5

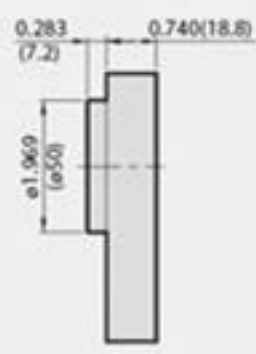
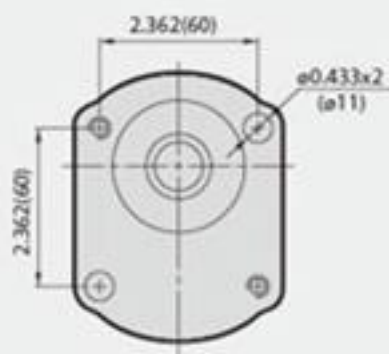
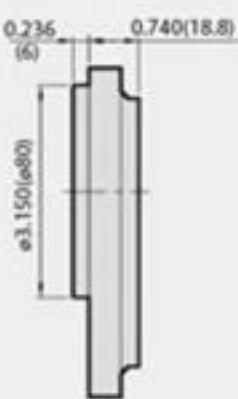
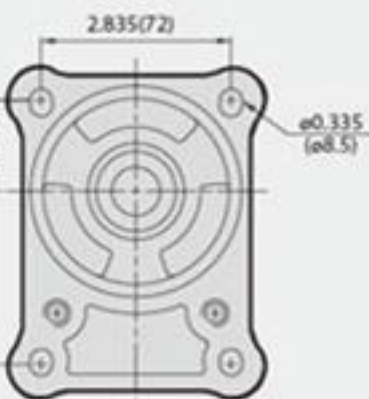
SUITABLE FOR **G** FLANGE





2D Series-Code:G
Series-Code:M

Code:C



E

Code:R

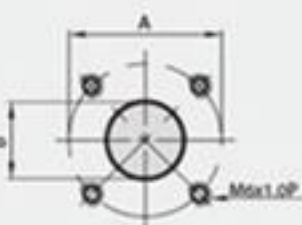
UNF

From "04" to "22"		From "24" to "33"	
INLET	OUTLET	INLET	OUTLET
1/2" F# 12	1/2" UNF# 10	1/2" UNF# 16	1/2" UNF# 12
3/8" 16"-12	3/8" 7/8"-14	1/2" 1-5/16"-12	1/2" 1-1/16"-12

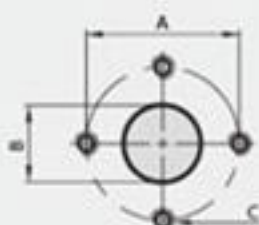
PT 、 NPT 、 BSPF

From "04" to "22"		From "24" to "33"	
INLET	OUTLET	INLET	OUTLET
1/2" 3/4"	1/2" PT 1/2"	1/2" PT 1"	1/2" PT 3/4"
3/4"	1/2" NPT 1/2"	1/2" NPT 1"	1/2" NPT 3/4"
3/4"	1/2" BSPF 1/2"	1/2" BSPF 1"	1/2" BSPF 3/4"

FLANGE (SQUARE)

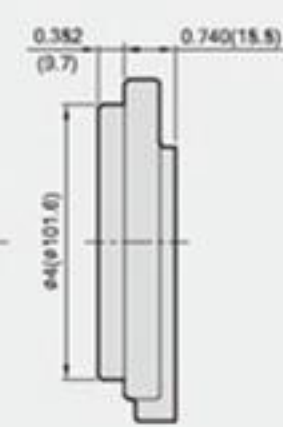
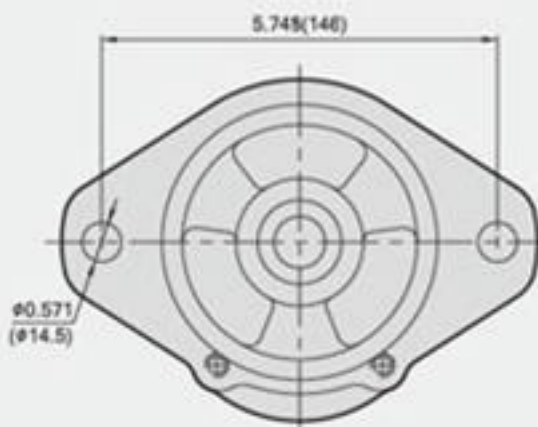


FLANGE (DIAMOND)



REAR PORT

FOR "2G SERIES" ONLY



Code:B

PORTS



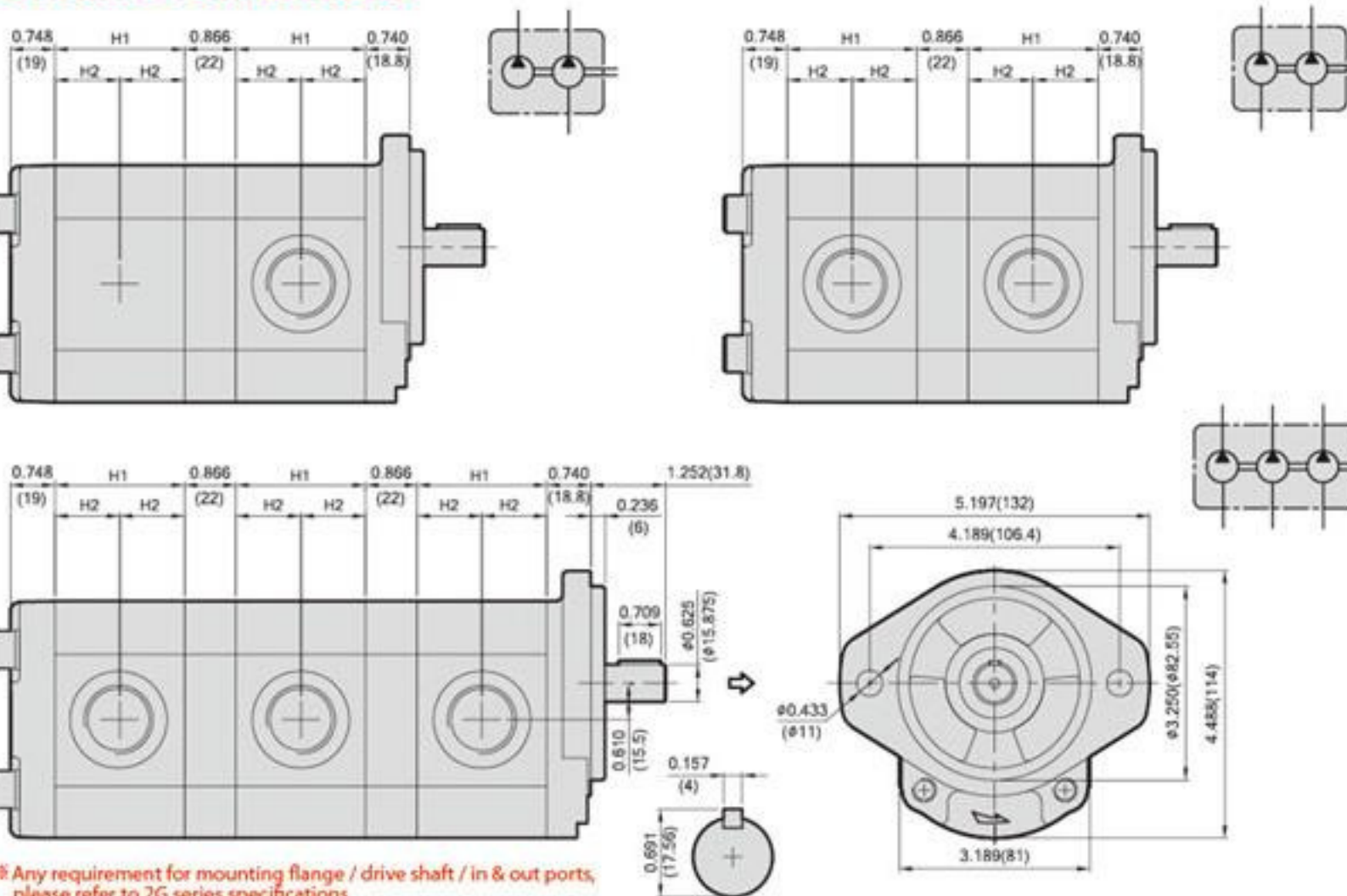
ORDERING EXAMPLE

2	□	G	1	B	U	□	□	□	R
SERIES	TYPE	MOUNTING FLANGE	DRIVE SHAFT	INLET/OUTLET CODE	PORT	DISPLACEMENT			R: CW L: CCW
D: Double Pumps T: Multiple Pumps				A: Common Inlet (Double Pump only) B: Separate Inlet					

You need double pumps with front pump displ. 0.98 c.i.r > rear pump 0.58 c.i.r and rotation is cw > the model number is :

2DG1BU1609R

OVERALL DIMENSIONS



GROUP 2 PUMP

CW(R) NON ARROW CCW(L)
 DIRECTION OF ROTATION : LOOKING ON DRIVE SHAFT