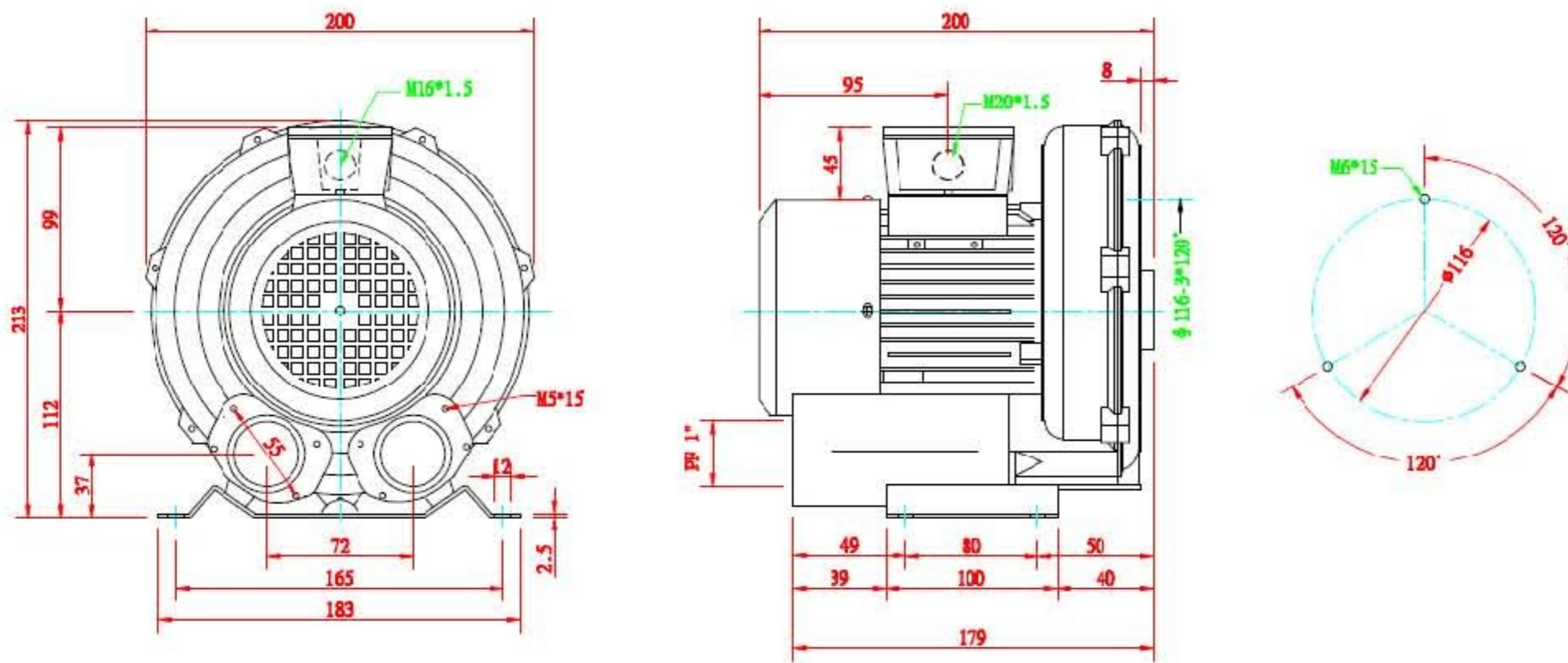


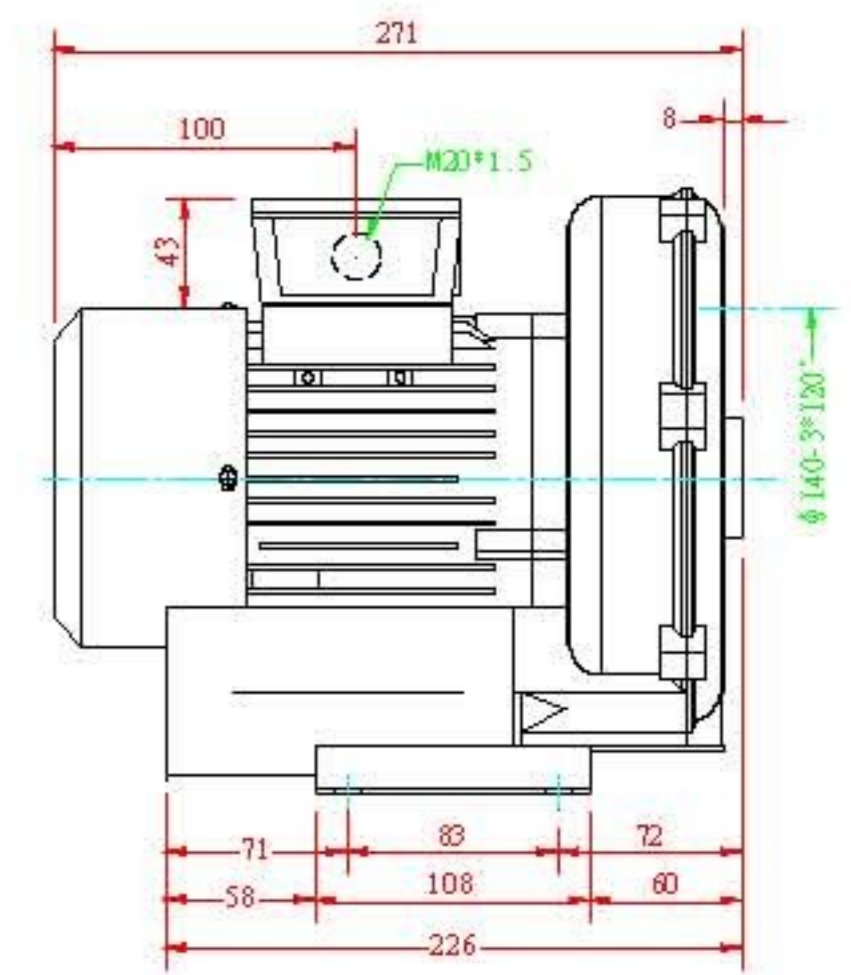
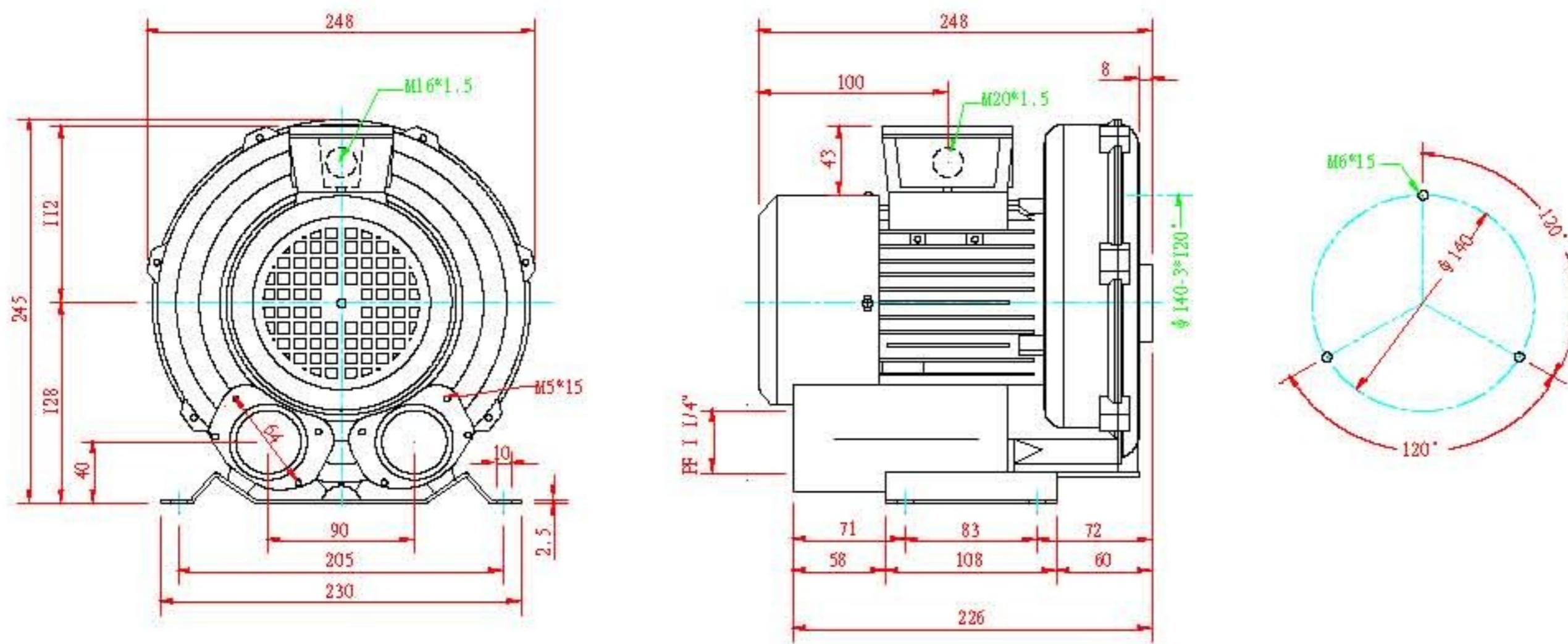
鼓風機之尺寸表(Dimensions)

RS-100 Series

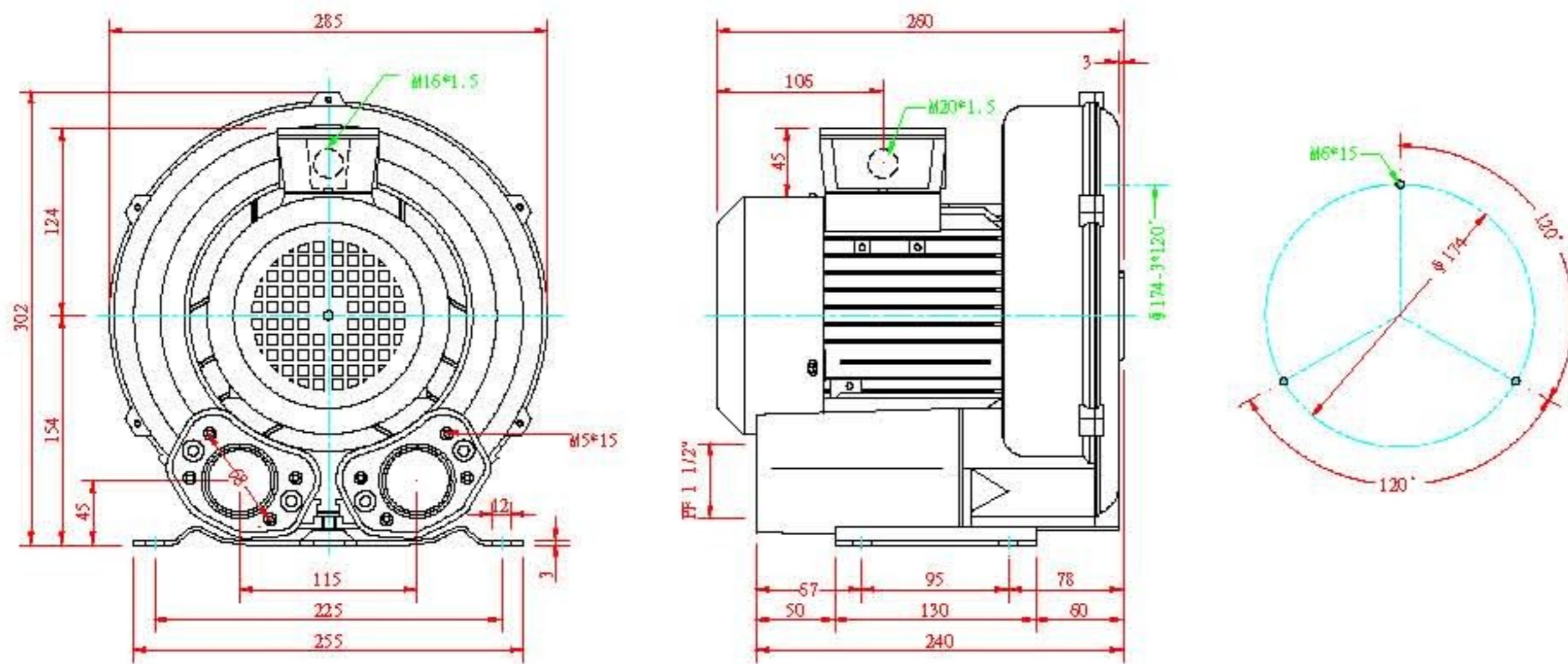


Only RS-200 **W

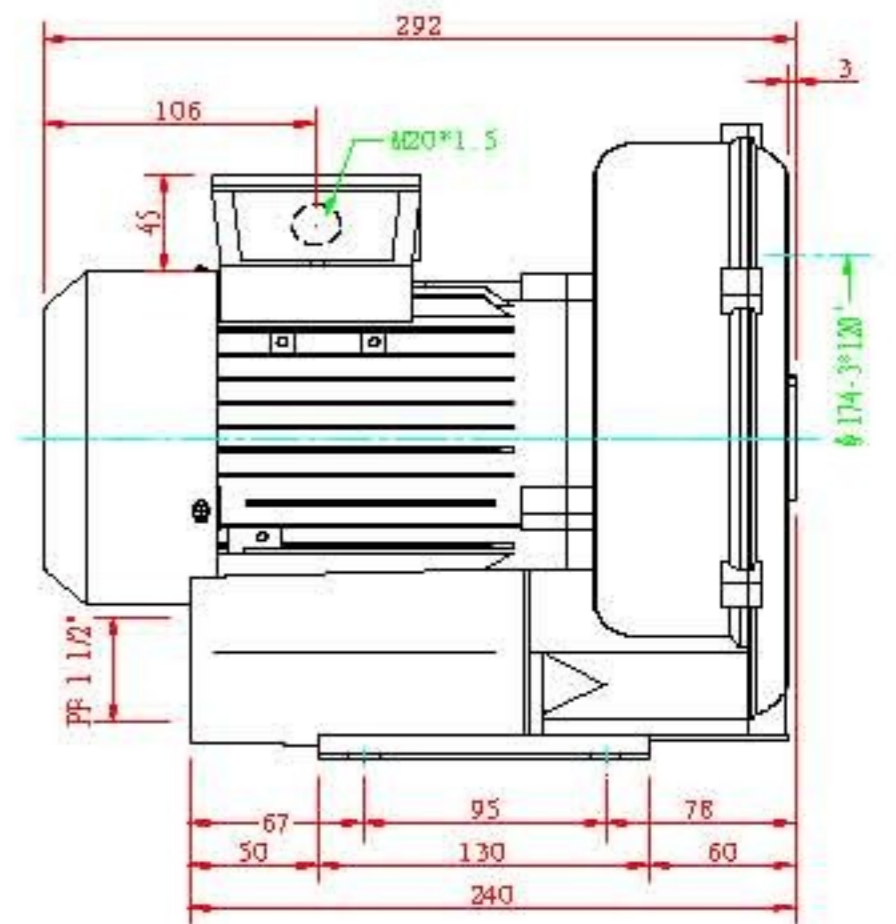
RS-200 Series



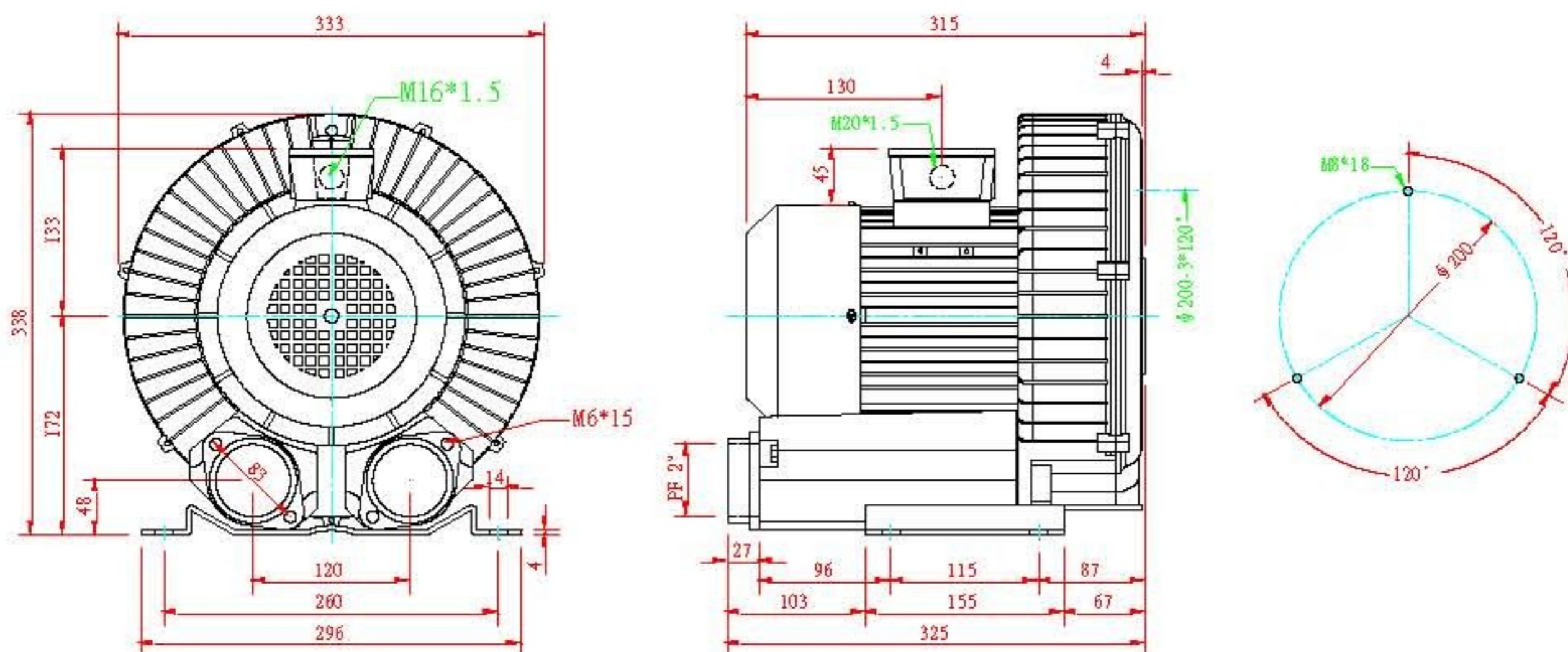
RS-300 Series



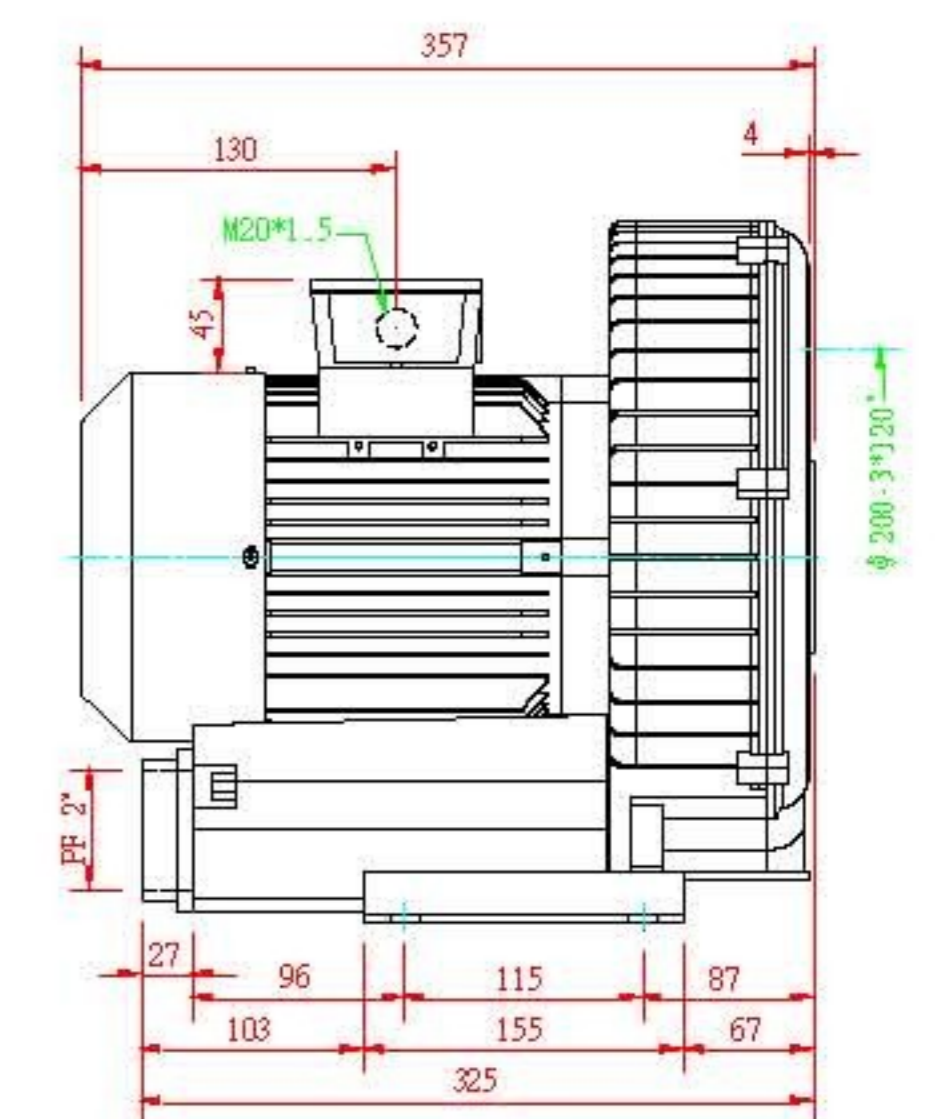
Only RS-300 **W



RS-400 Series

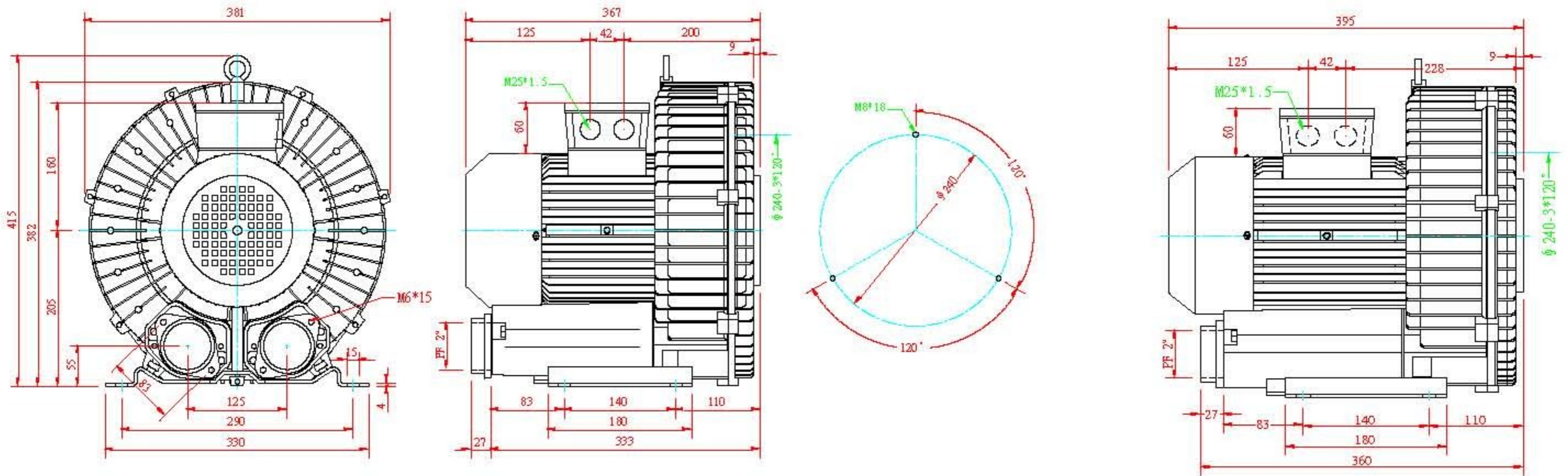


Only RS-400 **W

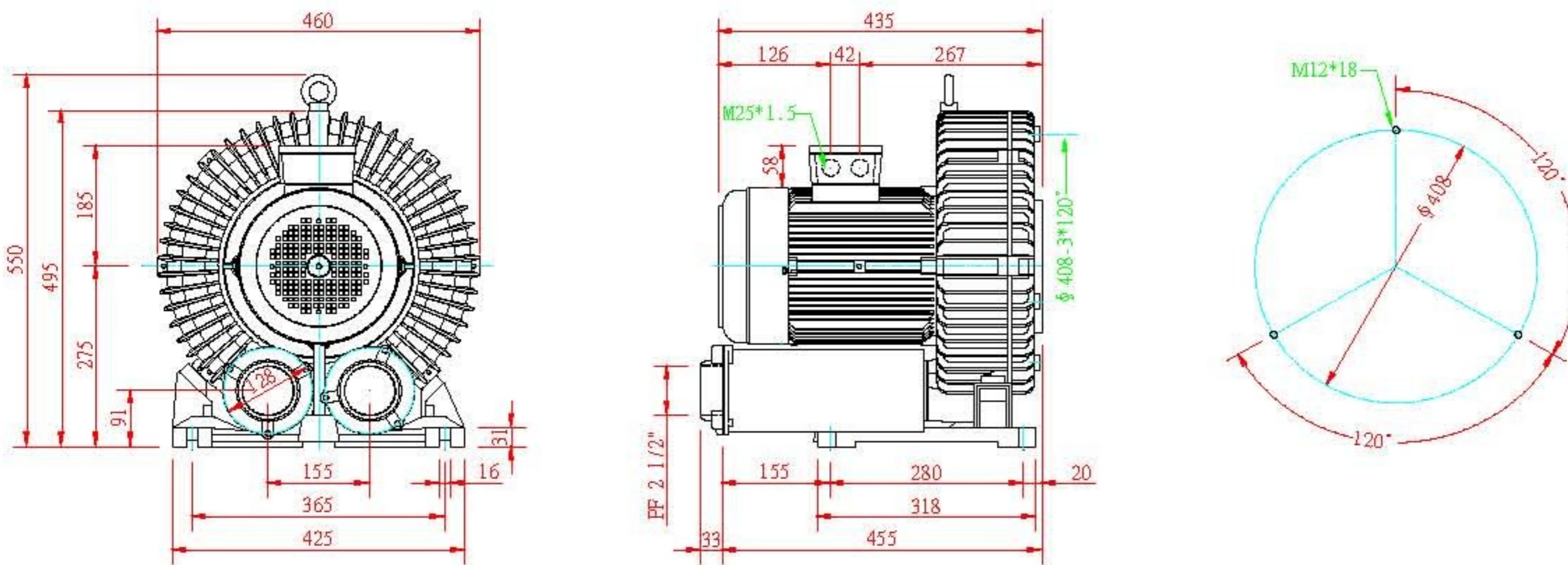


RS-600 Series

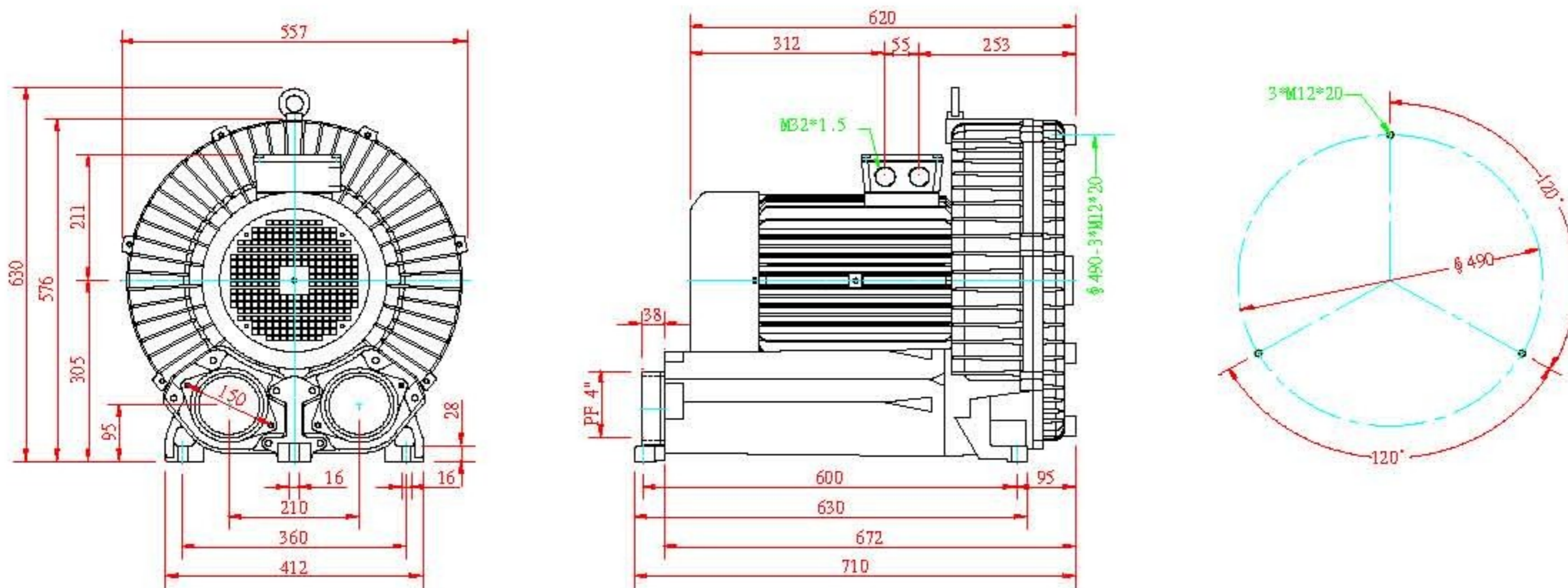
Only RS-600 **W



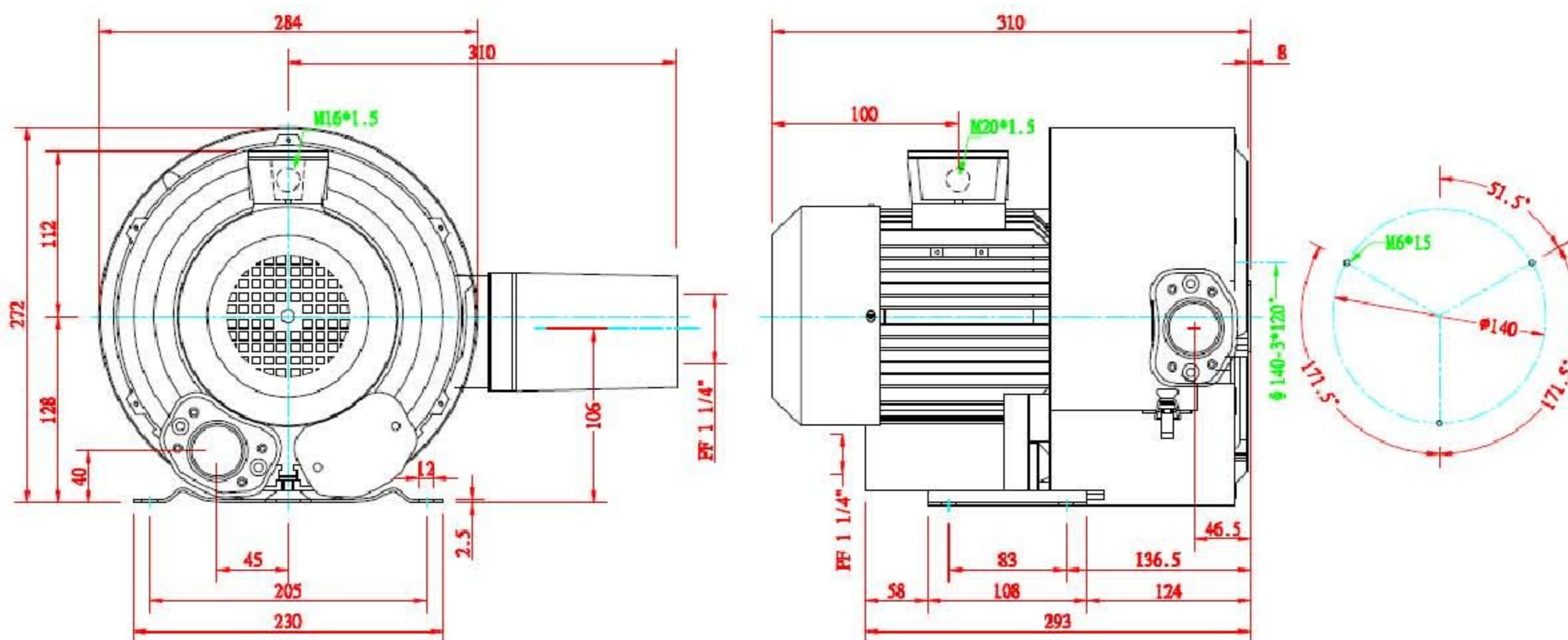
RS-800 Series



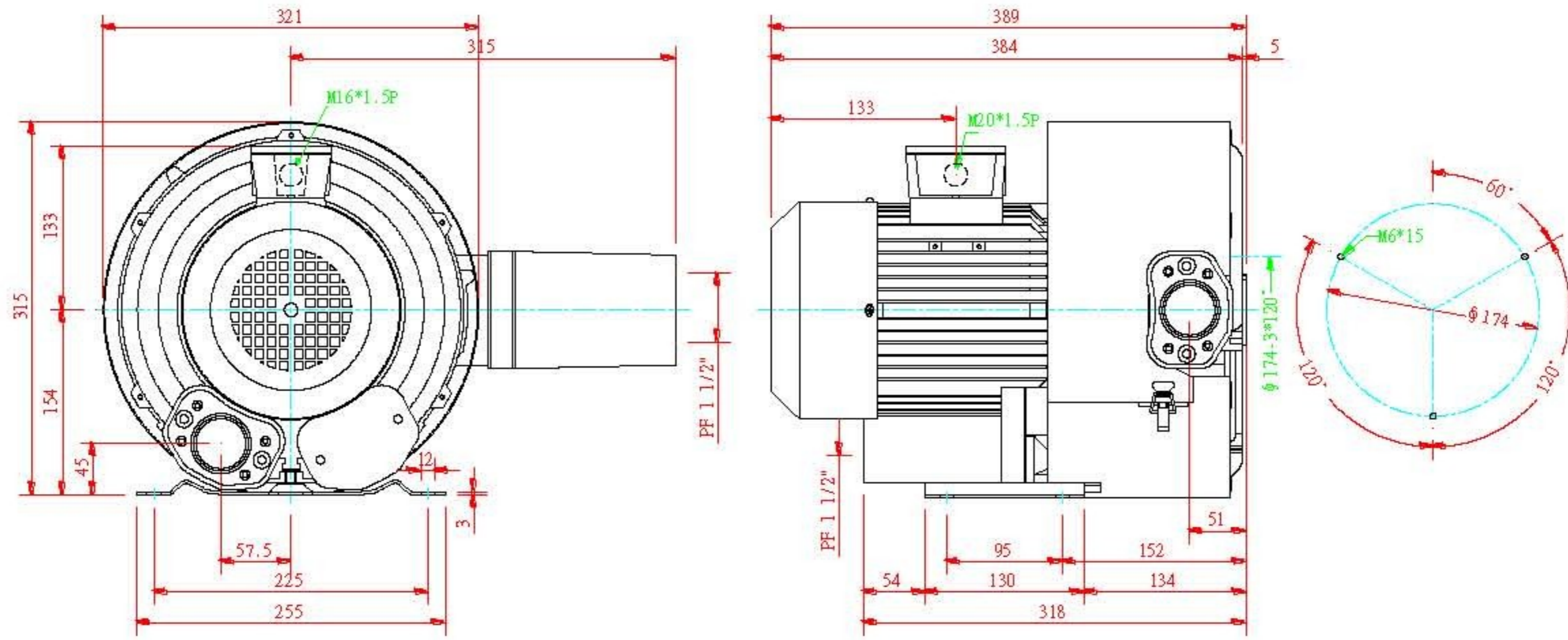
RS-900 Series



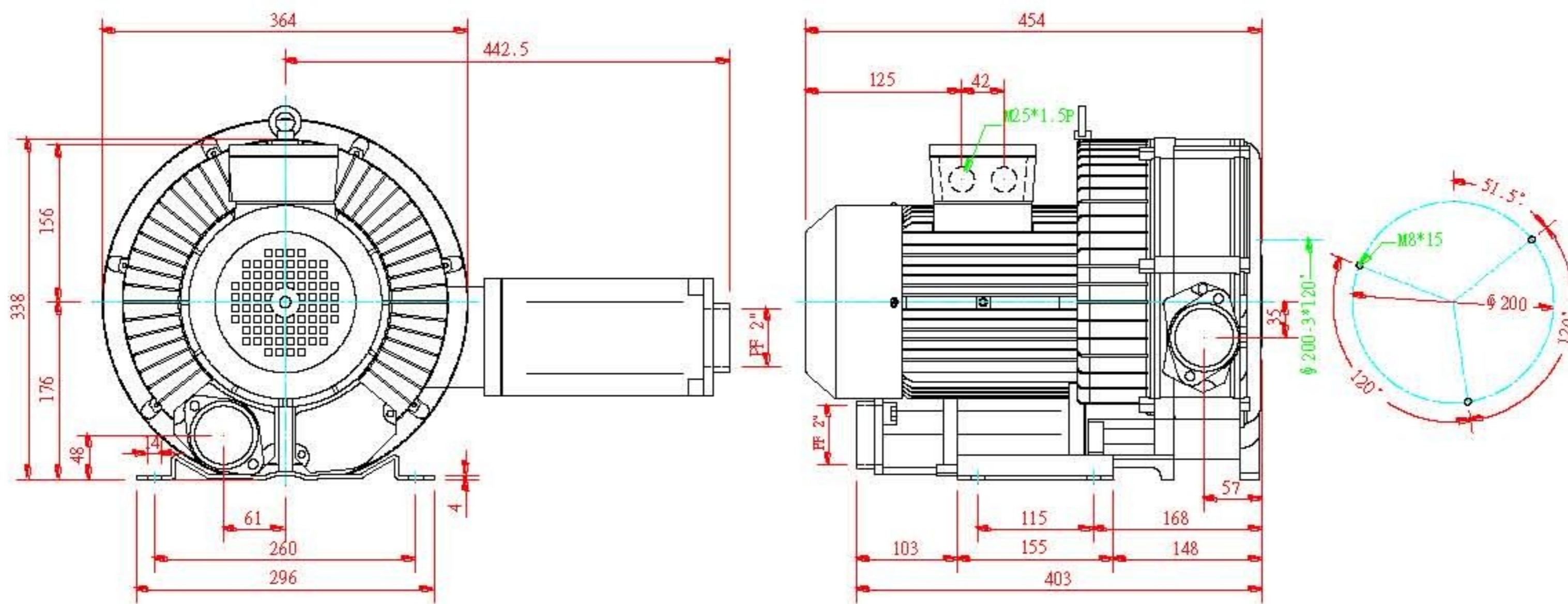
RS-230 Series



RS-330 Series

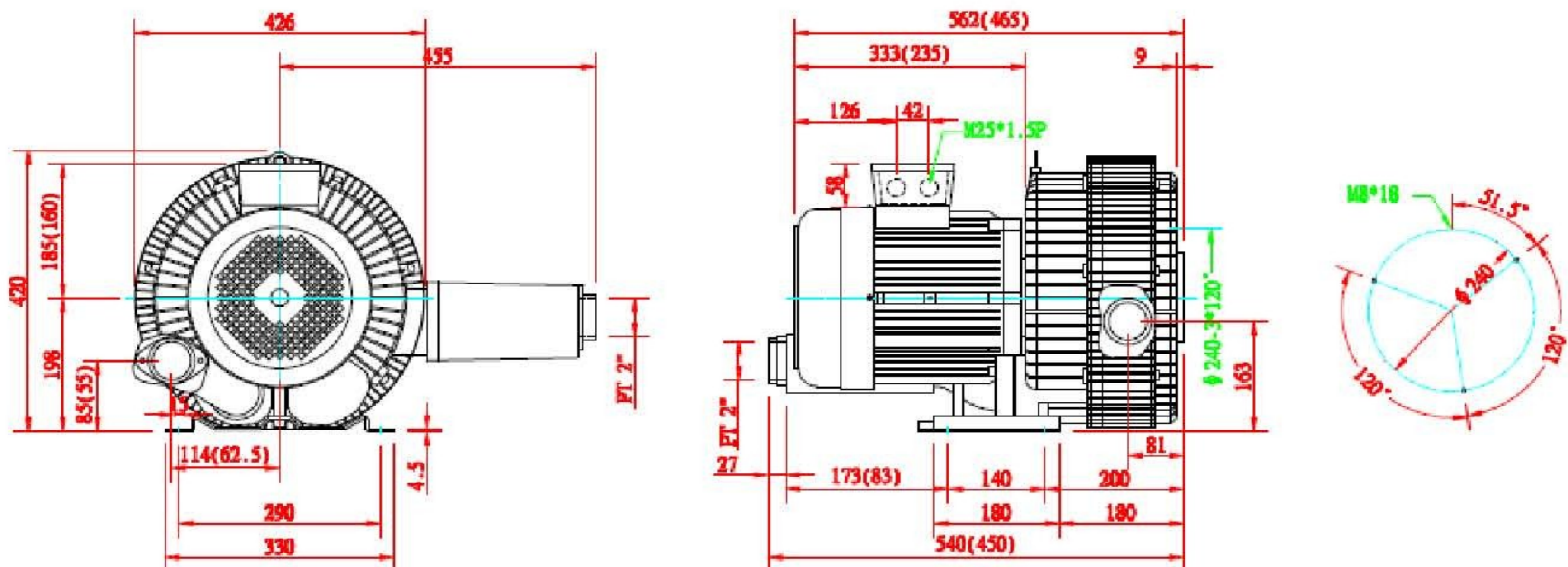


RS-430 Series

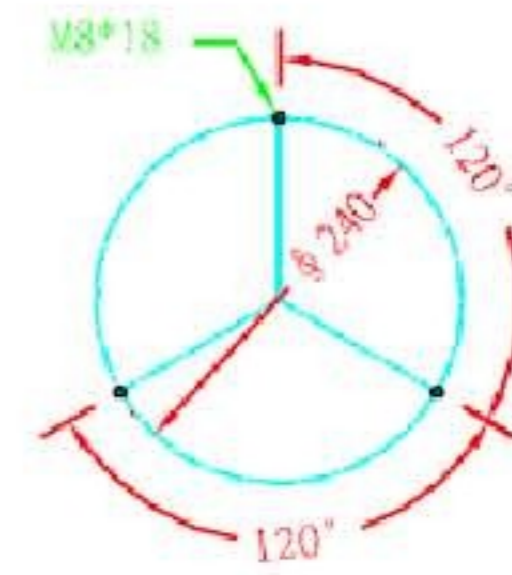
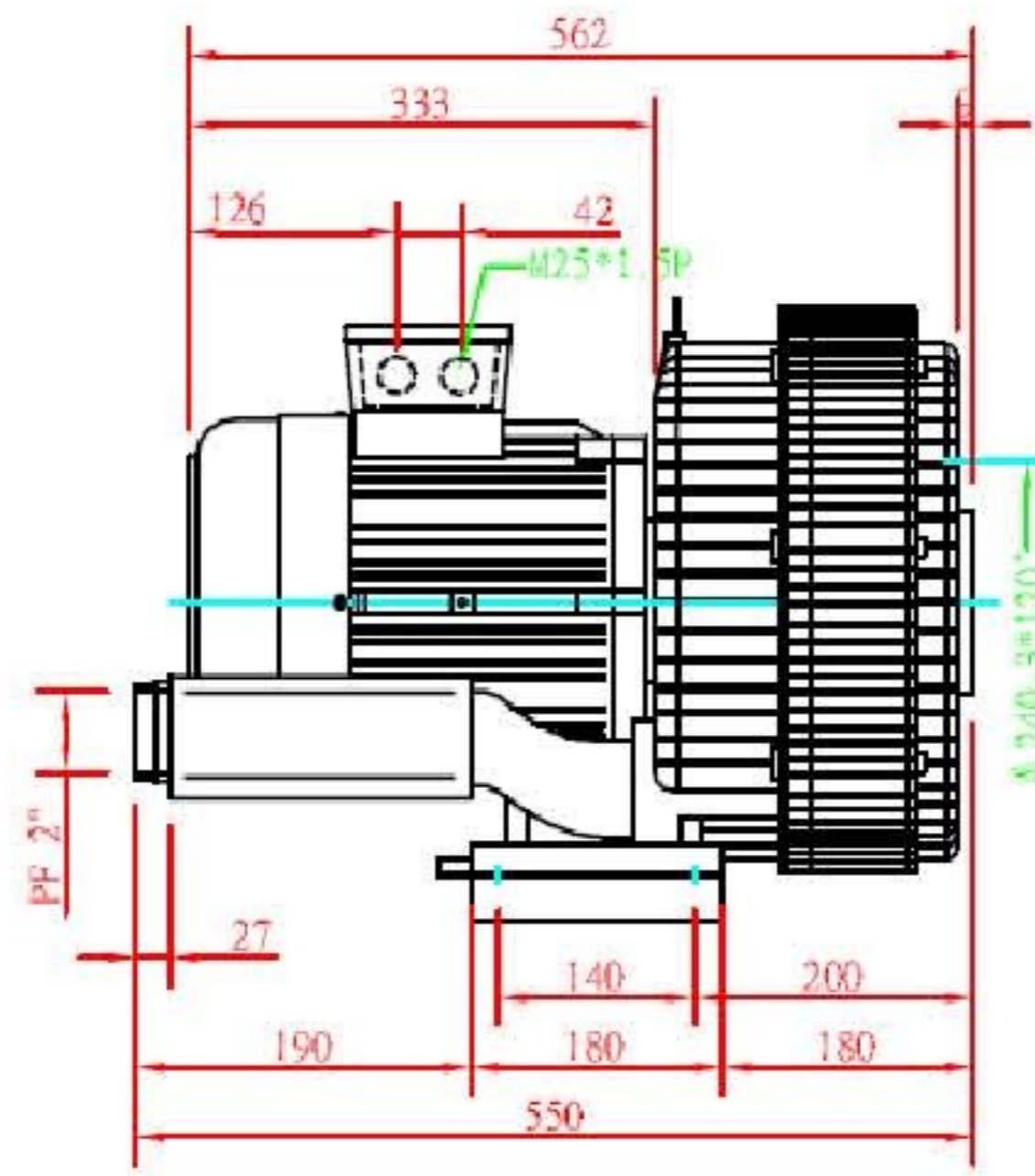
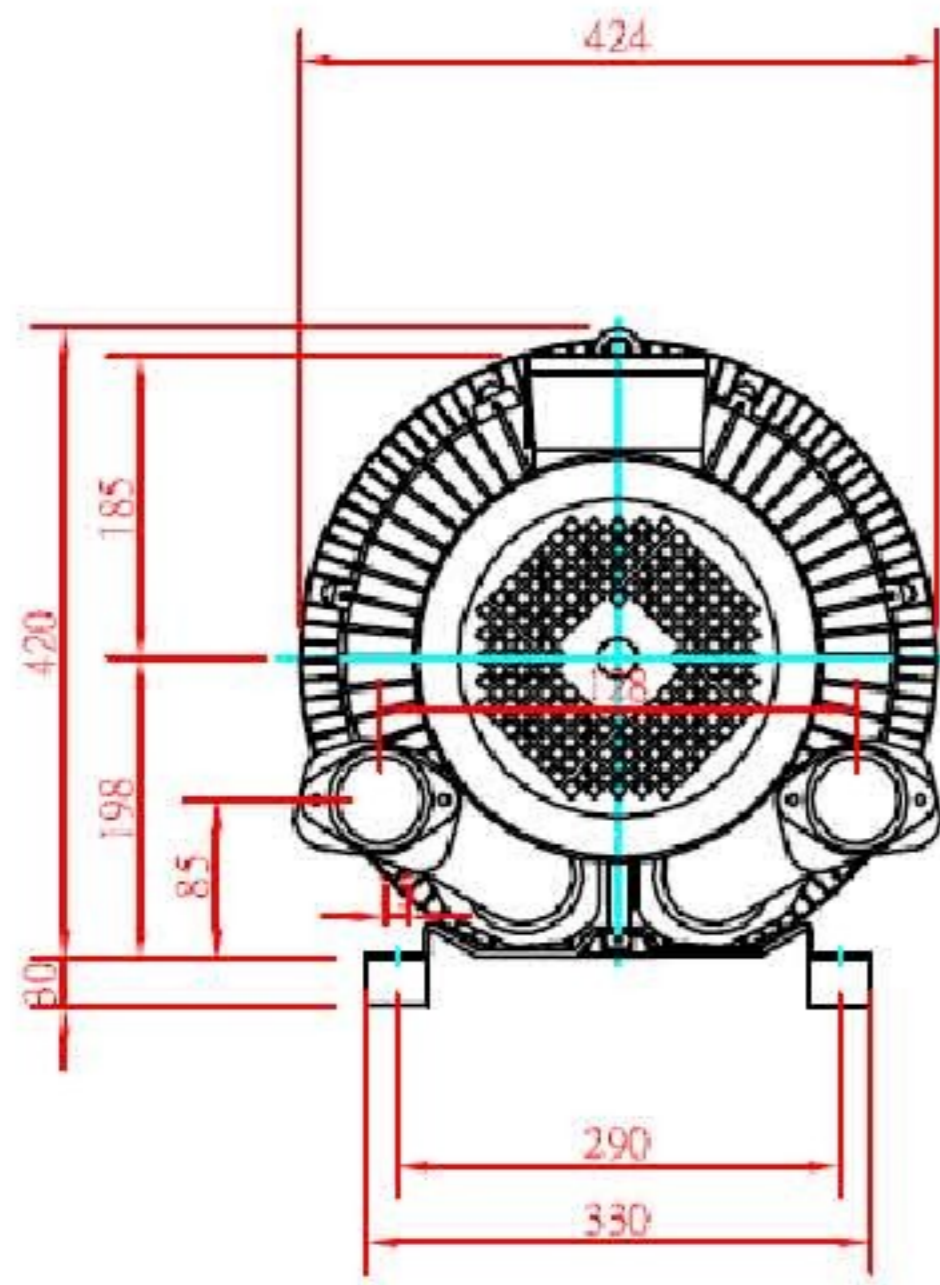


RS-630 Series

() For RS-630 -2*



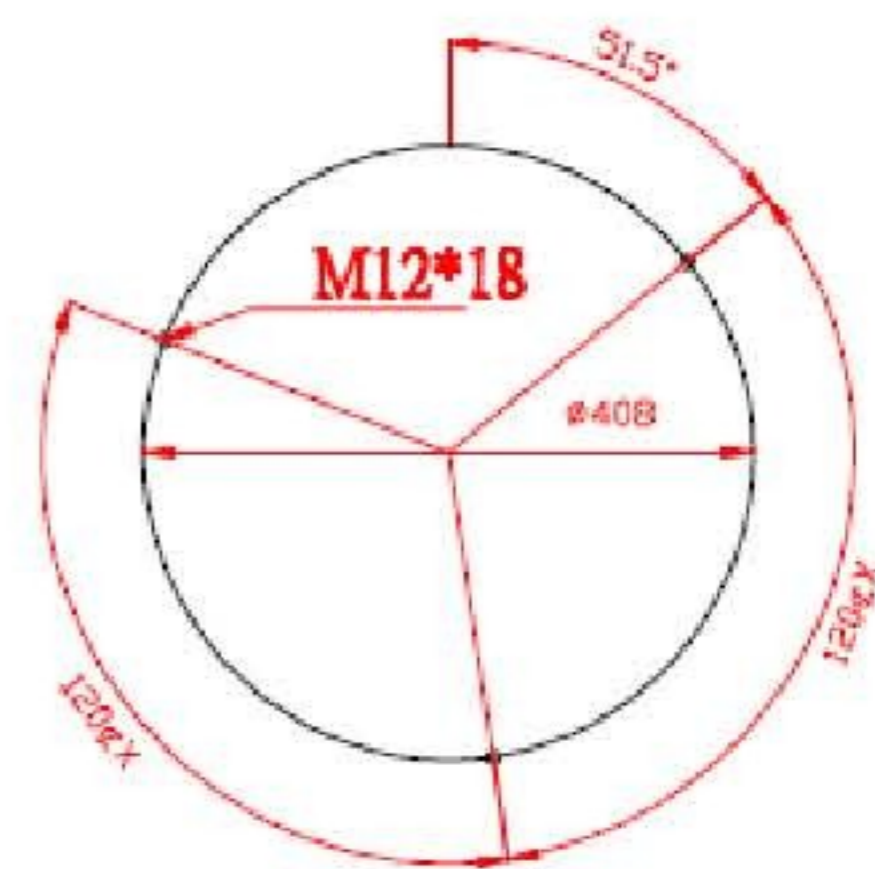
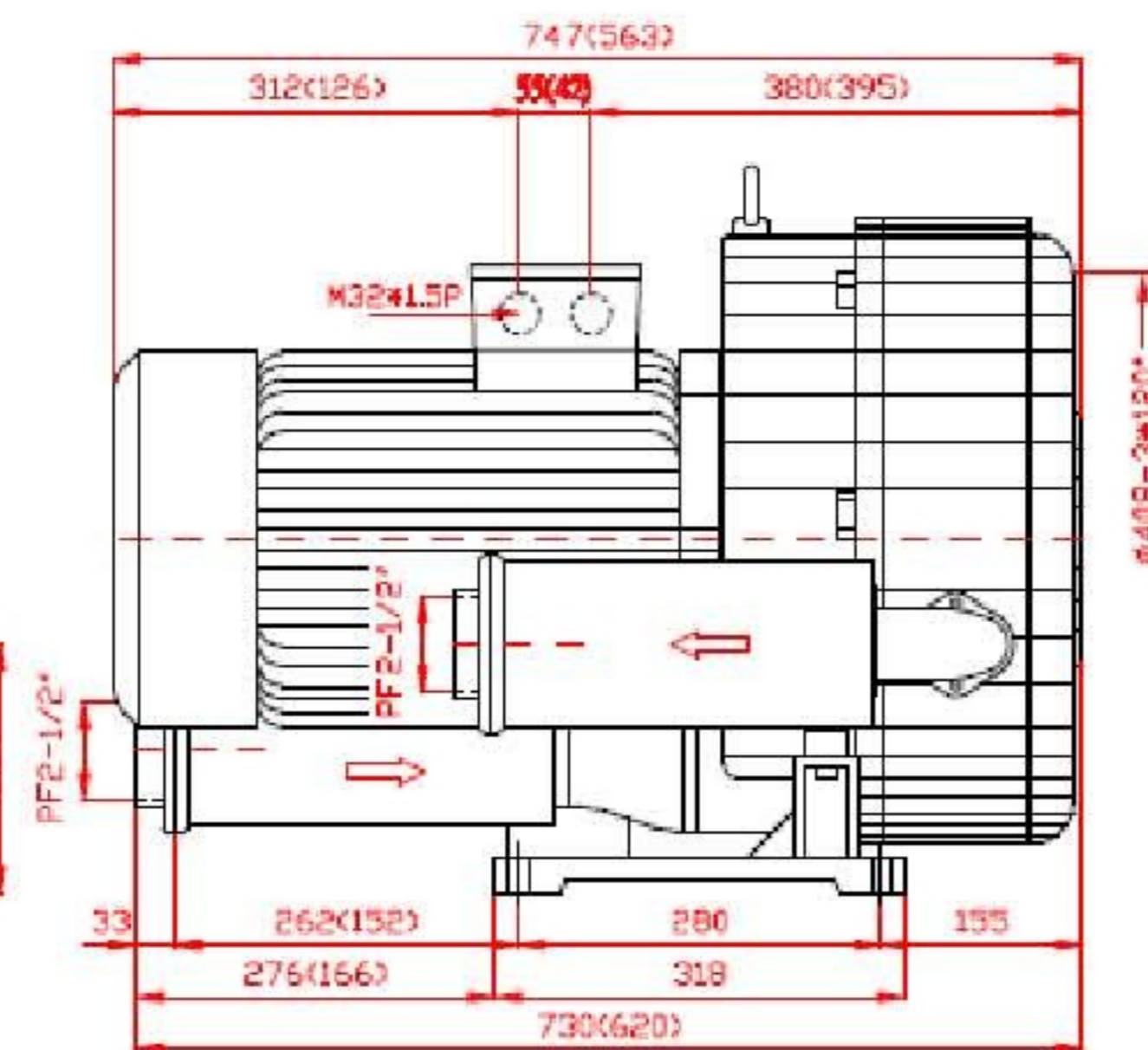
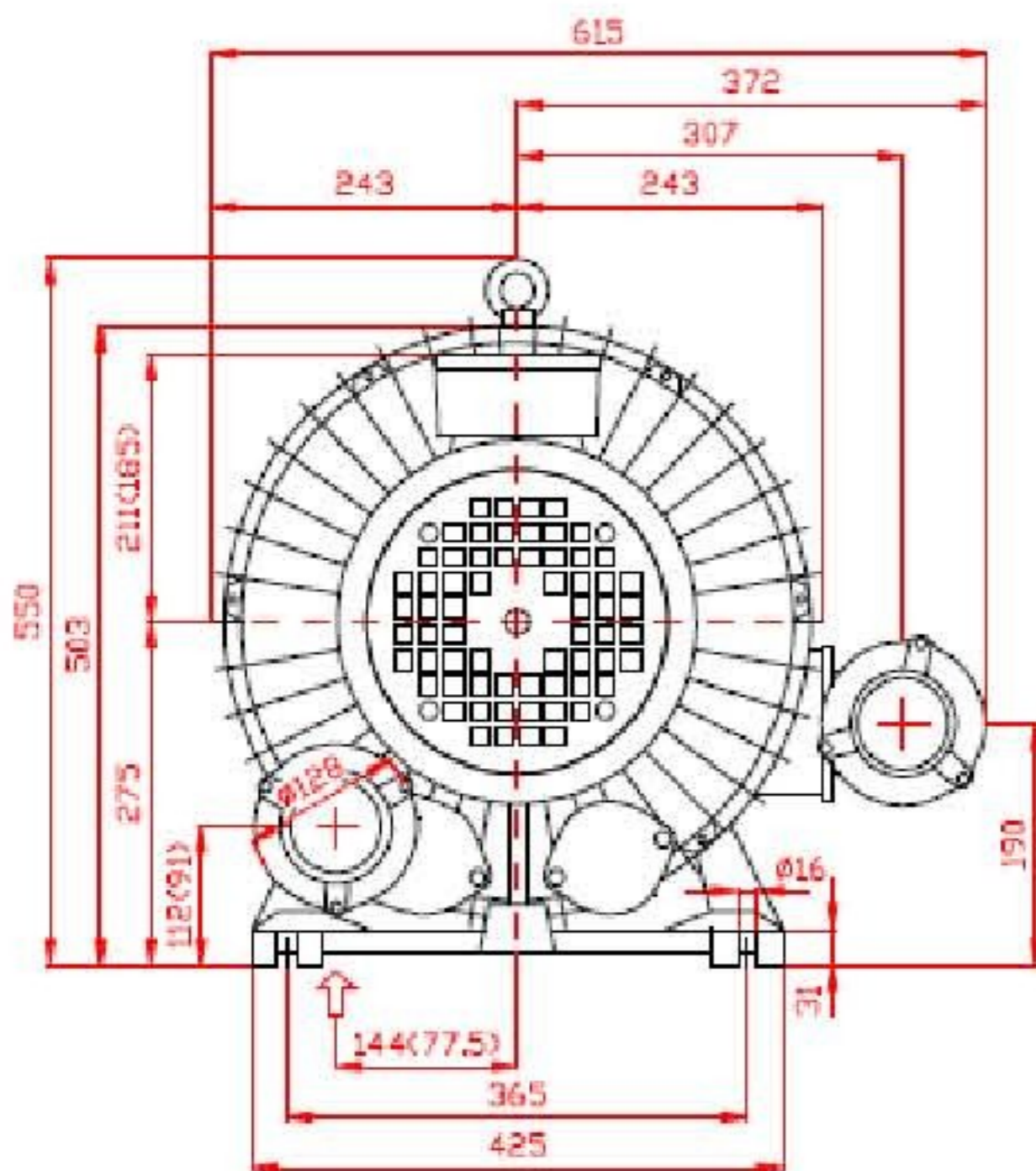
RS-640 Series



RS-830 Series

RS-830

() For RS-830- 1*



RS-840 Series

() For RS-840- 1*

RS-840

