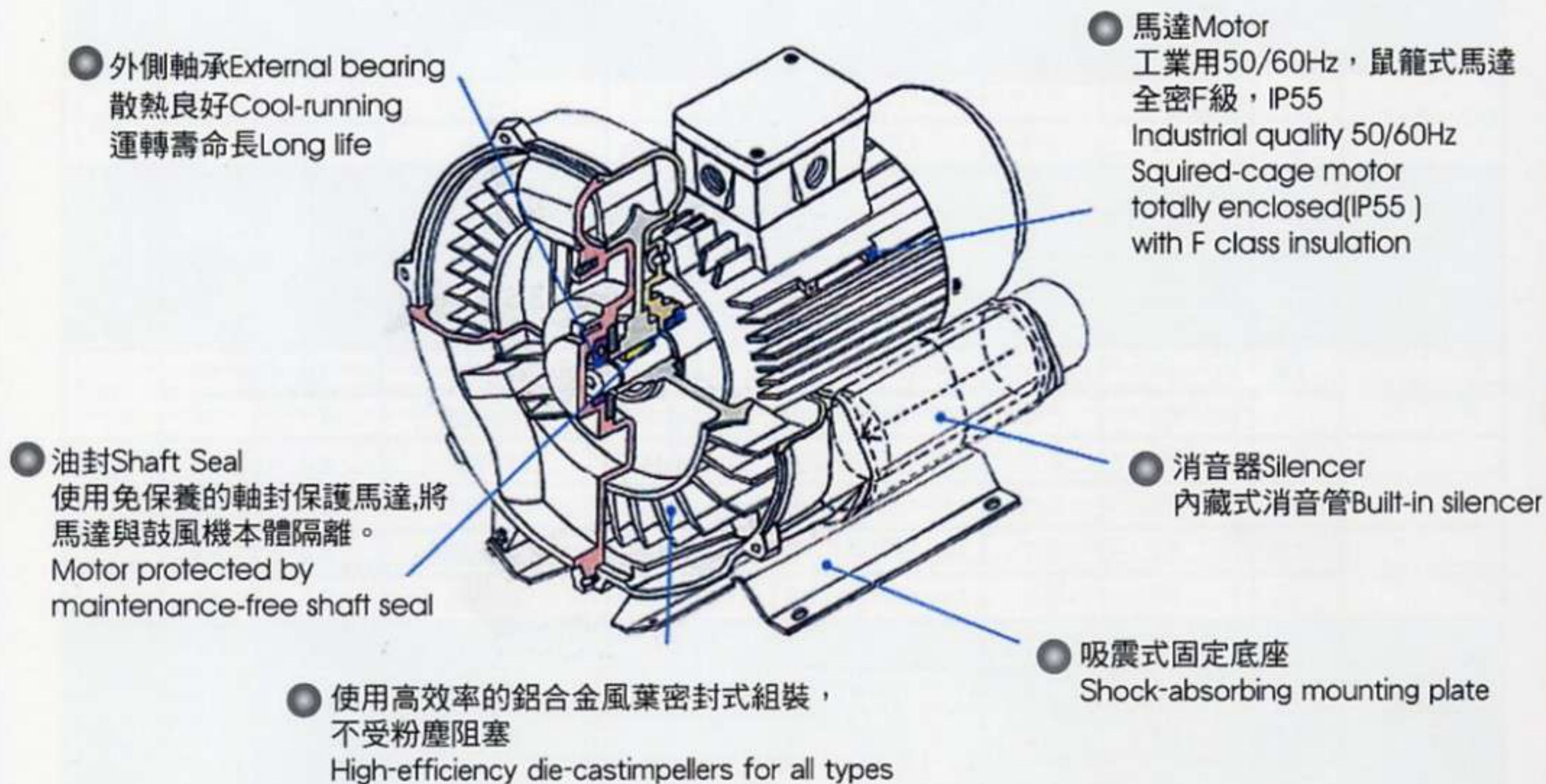


# Side 高壓鼓風機 Channel Blower





## 鼓風機構造 / Side Channel Blower Construction



## 鼓風機特性 / Side Channel Blower Specific

### ● 安裝容易

可隨時安裝與使用，供壓縮空氣或用於抽真空，亦可任意安裝於水平或垂直的方向。

#### Easy to install

The blower is a complete unit ready for immediate installation either as a vacuum pump or as a compressor. The unit can be mounted in any position, horizontally or vertically.

### ● 結構堅固，可靠性高

鼓風機與馬達外殼分開壓鑄，皆用鋁合金精密壓鑄成型，堅固耐用。除了風葉之外，鼓風機沒有其他動件，因此可靠性高幾乎免維修。

#### Rugged

The cast for the impeller and the motor are individual to be made by aluminum. The blower has the highly-developed design which results in a pump construction with one moving part, a feature ensuring maximum operating reliability. Maintenance free!

### ● 無污染

風葉旋轉時，不與任何部分零件接觸，免潤滑，無油氣無污染。

#### No oily odors

The impeller rotates with absolutely no contact between it and the housing. This means no lubrication is required, guaranteeing 100% oil-free operation.

### ● 低噪音低震動

一體式的消音設施，低噪音馬達直接運轉，風葉均經過電腦平衡校正與高精密的機械加工，使震動及噪音降到最低。

#### Low Noise and Vibration

The use of direct-driving low-noise motors and integral silencers ensure a low noise level. Dynamic balancing minimizes vibration.

### ● 最高品質

精密機械設計，專業製造經驗，每一台鼓風機在出廠前均經過嚴格測試。

#### High Efficiency

Under serious QC control, the parts used in RS blower are of top quality. All blowers are made by professional technicians.



# 單相馬達 / Single Phase AC IP55 50Hz/60Hz

型號 Model	曲線編號 Curve No.	頻率 Frequency (Hz)	功率 Output (kW)	電壓 Voltage (V)	滿載額定電流 Current (A)	靜壓 Static pressure Vacuum / Compressor (mbar)	最大風量 Max Airflow (m <sup>3</sup> /min)	噪音 Noise (dB)A	重量 Weight (Kg)
RS-100-11	D1	50	0.18	100-120/200-240	2.50/1.25	50/40	1.0	52	6.5
	G1	60	0.2	110-120/220-240	2.55/1.28	70/70	1.2	55	
RS-200-11	D2	50	0.4	100-120/200-240	5.80/2.90	110/130	1.5	58	11.5
	G2	60	0.5	110-120/220-240	7.80/3.90	130/150	1.8	61	
RS-200-11W	D3	50	0.4	100-120/200-240	5.80/2.90	110/130	1.5	58	12
	G3	60	0.5	110-120/220-240	7.80/3.90	130/150	1.8	61	
RS-300-11	D4	50	0.75	100-120/200-240	13.0/6.50	140/150	2.6	63	15
	G4	60	0.85	110-120/220-240	11.6/5.80	140/140	3.1	64	
RS-300-11W	D5	50	0.75	100-120/200-240	13.0/6.50	140/150	2.5	63	15.5
	G5	60	0.85	110-120/220-240	11.6/5.80	140/140	3.1	64	
RS-300-31	D6	50	1.1	100-120/200-240	14.0/7.00	160/190	2.6	63	16.5
	G6	60	1.3	110-120/220-240	14.8/7.40	180/200	3.1	64	
RS-400-23	D7	50	1.1	200-240	8.5	150/150	3.7	70	24
	G7	60	1.3	220-240	9.6	150/140	4.4	73	
RS-400-33	D8	50	1.5	200-240	10.0	180/190	3.7	70	25
	G8	60	1.75	220-240	11.4	180/170	4.4	73	
RS-400-33W	D9	50	1.5	200-240	10.0	180/190	3.7	70	25.5
	G9	60	1.75	220-240	11.4	180/170	4.4	73	



## 型號說明 / Description of model

RS-XXX-xx
系列代號 / Series number

RS-xxx-Xx
代表各系列中功率大小排序 The sort of output in each series

RS-xxx-xX
代表電壓 / Voltage

RS-xxx-xxW	耐水氣及吸熱風型 Waterproof
B	低風壓 Low Pressure
L	左盒 Terminal box on the left
R	右盒 Terminal box on the right



## 電壓說明 / Description of Voltages

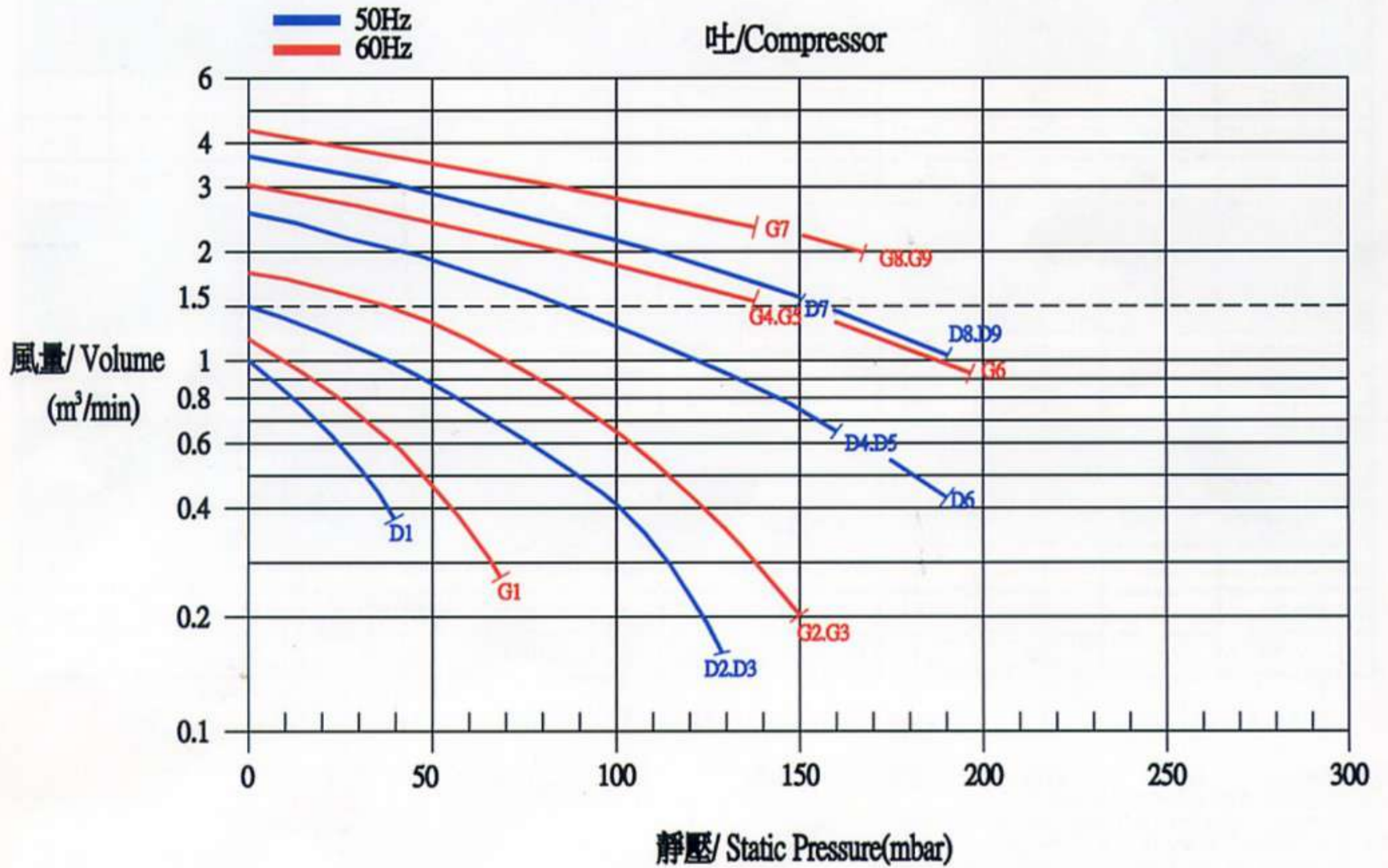
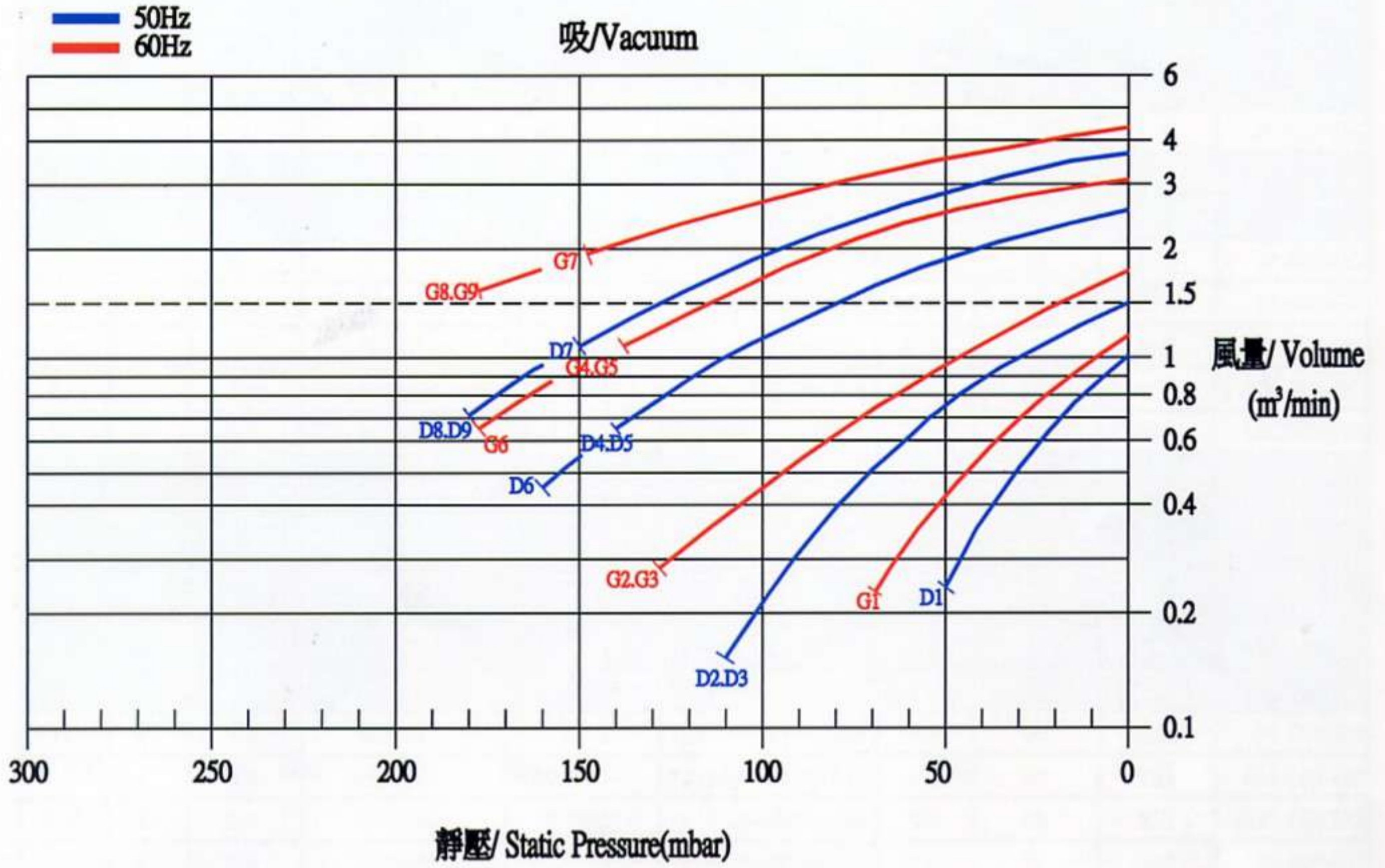
電壓 Voltages	50Hz	60Hz
0: 110V 1~	100-120V	100-120V
1: 110/220V 1~	100-120/200-240V	110-120/220-240V
2: 200V 1~	185-220V	200-240V
3: 220V 1~	200-240V	220-240V
5: 200/346V 3~	185-225△/320-390Y	200-240△/345-415Y
6: 220/380V 3~	200-240△/345-415Y	220-275△/380-480Y
8: 400/690V 3~	345-415△/600-720Y	380-480△/660-830Y
9: 440/760V 3~	400-460△/690-790Y	415-500△/720-860Y

### 附註/Remark:

1. 上述資料供參考, 如有不同以實品為主。  
Information above is for reference, product only when different.
2. 本公司保有設計變更之權利, 恕不另行通知。  
We reserve the right to change the design without notice.
3. 如有任何疑問請洽經銷商或本公司。  
Should you require any further information or assistance, please do not hesitate to contact us or distributors.



# 50Hz/60Hz 單相曲線圖 / Single Phase Curve





# 三相馬達 / Three Phase AC IP55 50Hz

型號 Model	曲線編號 Curve No.	頻率 Frequency (Hz)	功率 Output (kW)	電壓 Voltage (V)	滿載額定電流 Current (A)	靜壓 Static pressure Vacuum / Compressor (mbar)	最大風量 Max Airflow (m <sup>3</sup> /min)	噪音 Noise (dB)A	重量 Weight (Kg)
RS-100-16	D12	50	0.18	200-240Δ/345-415Y	1.20Δ/0.69Y	50/60	1	52	6.5
RS-200-16	D13	50	0.4	200-240Δ/345-415Y	2.20Δ/1.30Y	110/130	1.5	58	11
RS-200-16W	D14	50	0.4	200-240Δ/345-415Y	2.20Δ/1.30Y	100/130	1.5	58	11.5
RS-300-16	D15	50	0.75	200-240Δ/345-415Y	3.70Δ/2.14Y	140/140	2.6	63	14
RS-300-26	D16	50	0.9	200-240Δ/345-415Y	4.20Δ/2.40Y	165/180	2.6	63	15.5
RS-300-16B	D17	50	0.75	200-240Δ/345-415Y	3.70Δ/2.14Y	110/120	2.6	63	14.5
RS-300-16W	D18	50	0.75	200-240Δ/345-415Y	3.70Δ/2.14Y	140/140	2.6	63	15
RS-300-36	D19	50	1.3	200-240Δ/345-415Y	4.60Δ/2.65Y	175/200	2.6	63	16
RS-400-16	D20	50	0.9	200-240Δ/345-415Y	4.20Δ/2.40Y	130/120	3.7	70	20.5
RS-400-26	D21	50	1.3	200-240Δ/345-415Y	5.70Δ/3.30Y	180/180	3.7	70	22
RS-400-36	D22	50	1.75	200-240Δ/345-415Y	6.70Δ/3.90Y	210/220	3.7	70	23
RS-400-36B	D23	50	1.75	200-240Δ/345-415Y	6.70Δ/3.90Y	140/160	3.7	70	23
RS-400-36W	D24	50	1.75	200-240Δ/345-415Y	6.70Δ/3.90Y	210/220	3.7	70	23.5
RS-400-46	D25	50	2.2	200-240Δ/345-415Y	7.80Δ/4.50Y	220/270	3.7	70	26
RS-600-16	D26	50	2.2	200-240Δ/345-415Y	9.70Δ/5.60Y	220/210	5.5	72	31
RS-600-16B	D27	50	2.2	200-240Δ/345-415Y	9.70Δ/5.60Y	160/200	5.5	72	32
RS-600-16W	D28	50	2.2	200-240Δ/345-415Y	9.70Δ/5.60Y	220/210	5.5	72	32.5
RS-600-26	D29	50	3.4	200-240Δ/345-415Y	12.5Δ/7.20Y	255/270	5.5	72	34
RS-600-26W	D30	50	3.4	200-240Δ/345-415Y	12.5Δ/7.20Y	255/270	5.5	72	35.5
RS-600-36	D31	50	4	200-240Δ/345-415Y	14.3Δ/8.20Y	270/320	5.5	72	37
RS-800-16	D32	50	5.5	200-240Δ/345-415Y	25.3Δ/14.6Y	270/290	9.5	74	77
RS-800-26	D33	50	7.5	200-240Δ/345-415Y	31.5Δ/18.2Y	295/390	9.5	74	88
RS-900-16	D34	50	9	200-240Δ/345-415Y	36.0Δ/20.8Y	200/190	18.9	76	111
RS-900-26	D35	50	13	200-240Δ/345-415Y	46.8Δ/27.0Y	290/270	18.9	76	123
RS-900-36	D36	50	20	200-240Δ/345-415Y	66.7Δ/38.6Y	350/440	18.9	76	145
RS-630-26	D42	50	4	200-240Δ/345-415Y	14.3Δ/8.20Y	350/350	5.5	75	55
RS-630-36	D43	50	5.5	200-240Δ/345-415Y	25.3Δ/14.6Y	410/500	5.5	75	72
RS-630-46	D44	50	7.5	200-240Δ/345-415Y	31.5Δ/18.2Y	420/580	5.5	75	82
RS-640-26	D45	50	5.5	200-240Δ/345-415Y	25.3Δ/14.6Y	200/220	7.9	75	70
RS-640-36	D46	50	7.5	200-240Δ/345-415Y	31.5Δ/18.2Y	240/275	7.9	75	82
RS-830-16	D47	50	7.5	200-240Δ/345-415Y	31.5Δ/18.2Y	350/350	9.5	76	112
RS-830-26	D48	50	13	200-240Δ/345-415Y	46.8Δ/27.0Y	430/600	9.5	76	142
RS-830-36	D49	50	20	200-240Δ/345-415Y	66.7Δ/38.6Y	450/700	9.5	76	160
RS-840-16	D50	50	7.5	200-240Δ/345-415Y	31.5Δ/18.2Y	180/145	14.2	76	110
RS-840-26	D51	50	13	200-240Δ/345-415Y	46.8Δ/27.0Y	250/250	14.2	76	140
RS-840-36	D52	50	20	200-240Δ/345-415Y	66.7Δ/38.6Y	300/300	14.2	76	187

**附註/Remark:**

1. 上述資料供參考, 如有不同以實品為主。  
Information above is for reference, product only when different.
2. 本公司保有設計變更之權利, 恕不另行通知。  
We reserve the right to change the design without notice.
3. 如有任何疑問請洽經銷商或本公司。  
Should you require any further information or assistance, please do not hesitate to contact us or distributors.

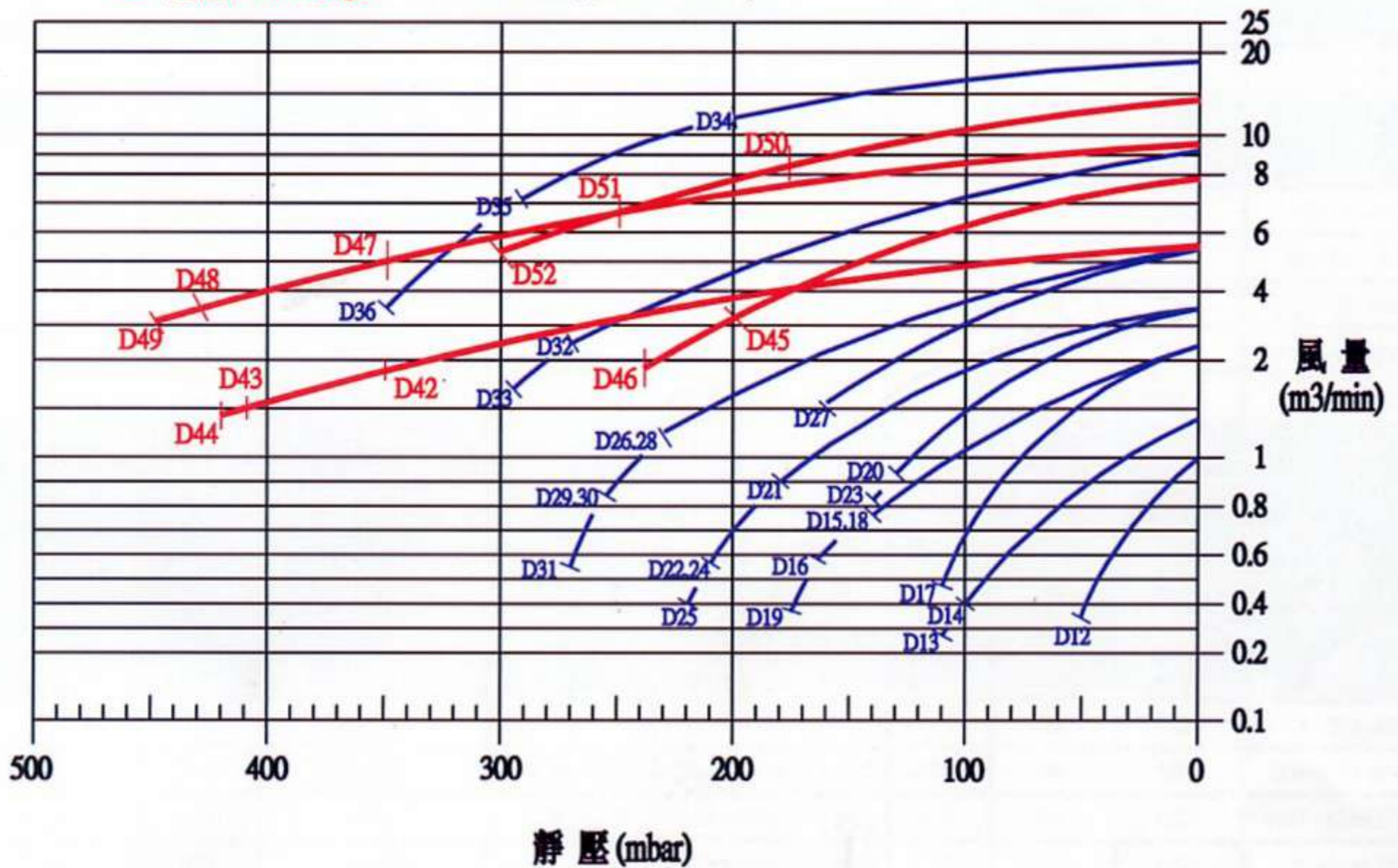


# 50Hz 三相曲線圖 / Three Phase Curve

— 單段 / Single Stage

— 雙段 / Two Stage

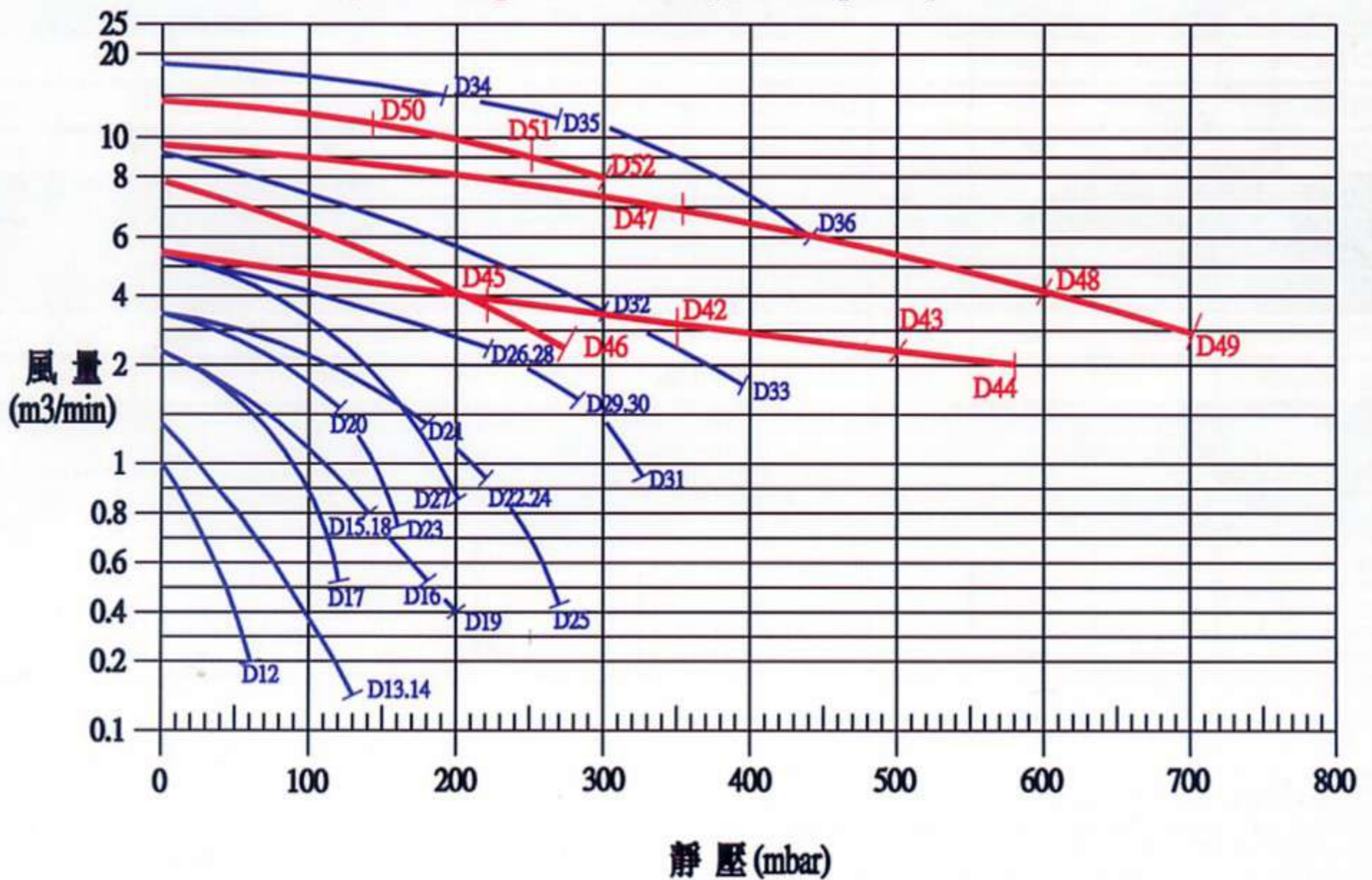
50Hz(吸 / Vacuum)



— 單段 / Single Stage

— 雙段 / Two Stage

50Hz(吐 / Compressor)





# 三相馬達 / Three Phase AC IP55 60Hz

型號 Model	曲線編號 Curve No.	頻率 Frequency (Hz)	功率 Output (kW)	電壓 Voltage (V)	滿載額定電流 Current (A)	靜壓 Static pressure Vacuum / Compressor (mbar)	最大風量 Max Airflow (m <sup>3</sup> /min)	噪音 Noise (dB)A	重量 Weight (Kg)
RS-100-16	G12	60	0.2	220-275Δ/380-480Y	0.90Δ/0.50Y	70/70	1.2	55	6.5
RS-200-16	G13	60	0.5	220-275Δ/380-480Y	2.30Δ/1.30Y	140/160	1.8	61	11
RS-200-16W	G14	60	0.5	220-275Δ/380-480Y	2.30Δ/1.30Y	140/150	1.8	61	11.5
RS-300-16	G15	60	0.85	220-275Δ/380-480Y	3.90Δ/2.25Y	140/140	3.1	64	14
RS-300-26	G16	60	1.1	220-275Δ/380-480Y	4.50Δ/2.60Y	180/180	3.1	64	15.5
RS-300-16B	G17	60	0.85	220-275Δ/380-480Y	3.60Δ/2.10Y	140/140	3.1	64	14.5
RS-300-16W	G18	60	0.85	220-275Δ/380-480Y	3.90Δ/2.25Y	140/140	3.1	64	15
RS-300-36	G19	60	1.5	220-275Δ/380-480Y	5.25Δ/3.00Y	205/230	3.1	64	16
RS-400-16	G20	60	1.1	220-275Δ/380-480Y	4.50Δ/2.60Y	120/110	4.4	73	20.5
RS-400-26	G21	60	1.5	220-275Δ/380-480Y	6.00Δ/3.50Y	170/160	4.4	73	22
RS-400-36	G22	60	1.9	220-275Δ/380-480Y	7.00Δ/4.00Y	200/200	4.4	73	23
RS-400-36B	G23	60	1.9	220-275Δ/380-480Y	7.00Δ/4.00Y	160/180	4.4	73	23
RS-400-36W	G24	60	1.9	220-275Δ/380-480Y	7.00Δ/4.00Y	200/200	4.4	73	23.5
RS-400-46	G25	60	2.6	220-275Δ/380-480Y	9.50Δ/5.50Y	255/290	4.4	73	26
RS-600-16	G26	60	2.6	220-275Δ/380-480Y	10.7Δ/6.20Y	220/200	6.5	77	31
RS-600-16B	G27	60	2.6	220-275Δ/380-480Y	10.7Δ/6.20Y	195/200	6.5	77	32
RS-600-16W	G28	60	2.6	220-275Δ/380-480Y	10.7Δ/6.20Y	220/200	6.5	77	32.5
RS-600-26	G29	60	3.7	220-275Δ/380-480Y	13.5Δ/7.80Y	280/270	6.5	77	34
RS-600-26W	G30	60	3.7	220-275Δ/380-480Y	13.5Δ/7.80Y	280/270	6.5	77	35.5
RS-600-36	G31	60	4.6	220-275Δ/380-480Y	16.2Δ/9.30Y	315/320	6.5	77	37
RS-800-16	G32	60	6.3	220-275Δ/380-480Y	29.5Δ/17.0Y	290/270	11.3	79	77
RS-800-26	G33	60	8.6	220-275Δ/380-480Y	37.0Δ/21.3Y	350/395	11.3	79	88
RS-900-16	G34	60	11	220-275Δ/380-480Y	37.0Δ/21.4Y	180/170	22.4	81	111
RS-900-26	G35	60	15	220-275Δ/380-480Y	51.5Δ/29.8Y	280/270	22.4	81	123
RS-900-36	G36	60	22	220-275Δ/380-480Y	76.0Δ/44.0Y	365/420	22.4	81	145
RS-630-26	G42	60	4.6	220-275Δ/380-480Y	16.2Δ/9.30Y	350/350	6.5	79	55
RS-630-36	G43	60	6.3	220-275Δ/380-480Y	29.5Δ/17.0Y	420/500	6.5	79	72
RS-630-46	G44	60	8.6	220-275Δ/380-480Y	37.0Δ/21.3Y	450/675	6.5	79	82
RS-640-26	G45	60	6.3	220-275Δ/380-480Y	29.5Δ/17.0Y	180/170	9.5	79	70
RS-640-36	G46	60	8.6	220-275Δ/380-480Y	37.0Δ/21.3Y	260/260	9.5	79	82
RS-830-16	G47	60	8.6	220-275Δ/380-480Y	37.0Δ/21.3Y	290/290	11.3	81	112
RS-830-26	G48	60	15	220-275Δ/380-480Y	52.0Δ/30.0Y	450/600	11.3	81	142
RS-830-36	G49	60	22	220-275Δ/380-480Y	76.0Δ/44.0Y	470/780	11.3	81	160
RS-840-16	G50	60	8.6	220-275Δ/380-480Y	37.0Δ/21.3Y	110/110	16.7	81	110
RS-840-26	G51	60	15	220-275Δ/380-480Y	52.0Δ/30.0Y	230/200	16.7	81	140
RS-840-36	G52	60	22	220-275Δ/380-480Y	76.0Δ/44.0Y	300/280	16.7	81	187

**附註/Remark:**

1. 上述資料供參考, 如有不同以實品為主。  
Information above is for reference, product only when different.
2. 本公司保有設計變更之權利, 恕不另行通知。  
We reserve the right to change the design without notice.
3. 如有任何疑問請洽經銷商或本公司。  
Should you require any further information or assistance, please do not hesitate to contact us or distributors.

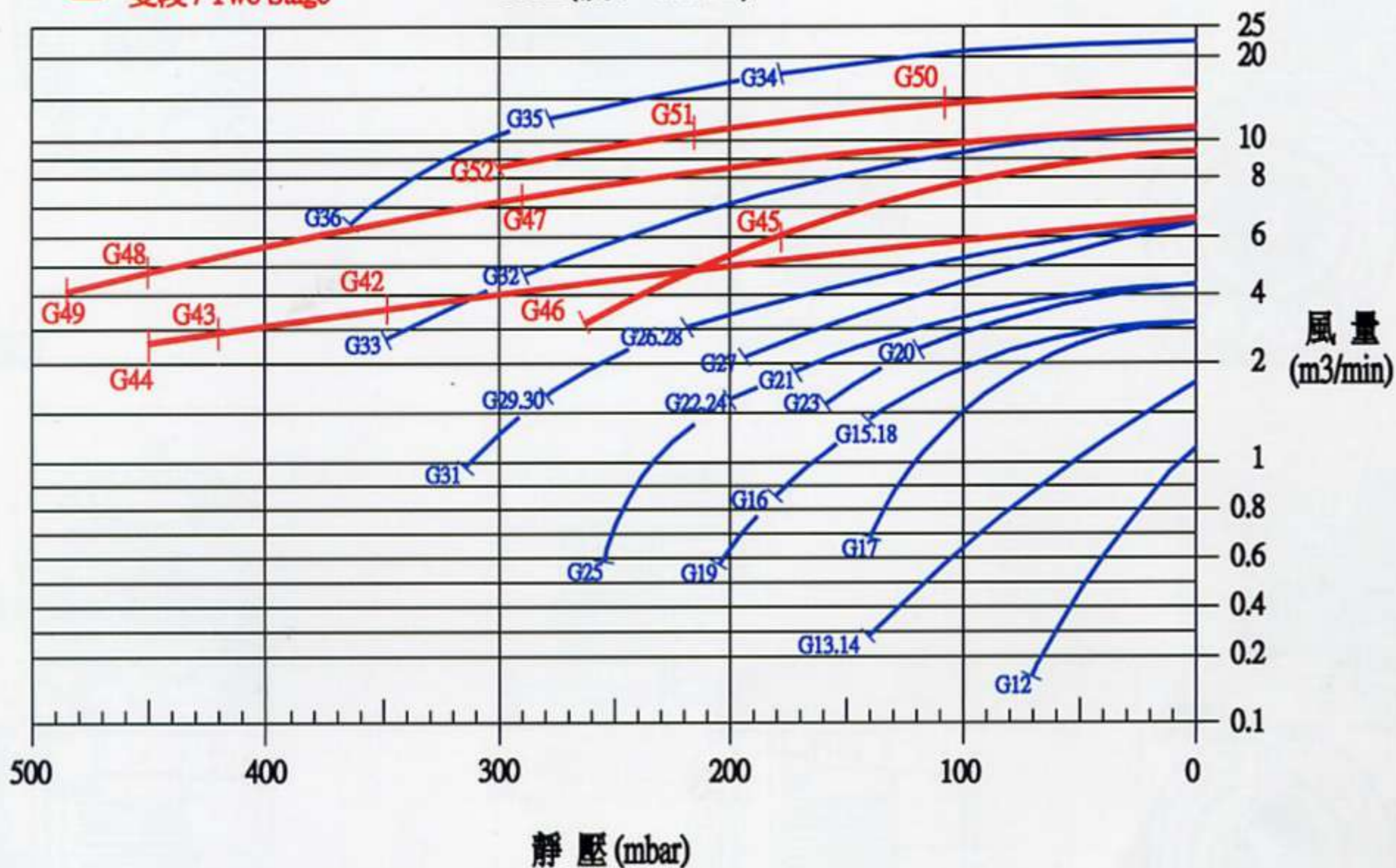


# 60Hz 三相曲線圖 / Three Phase Curve

— 單段 / Single Stage

— 雙段 / Two Stage

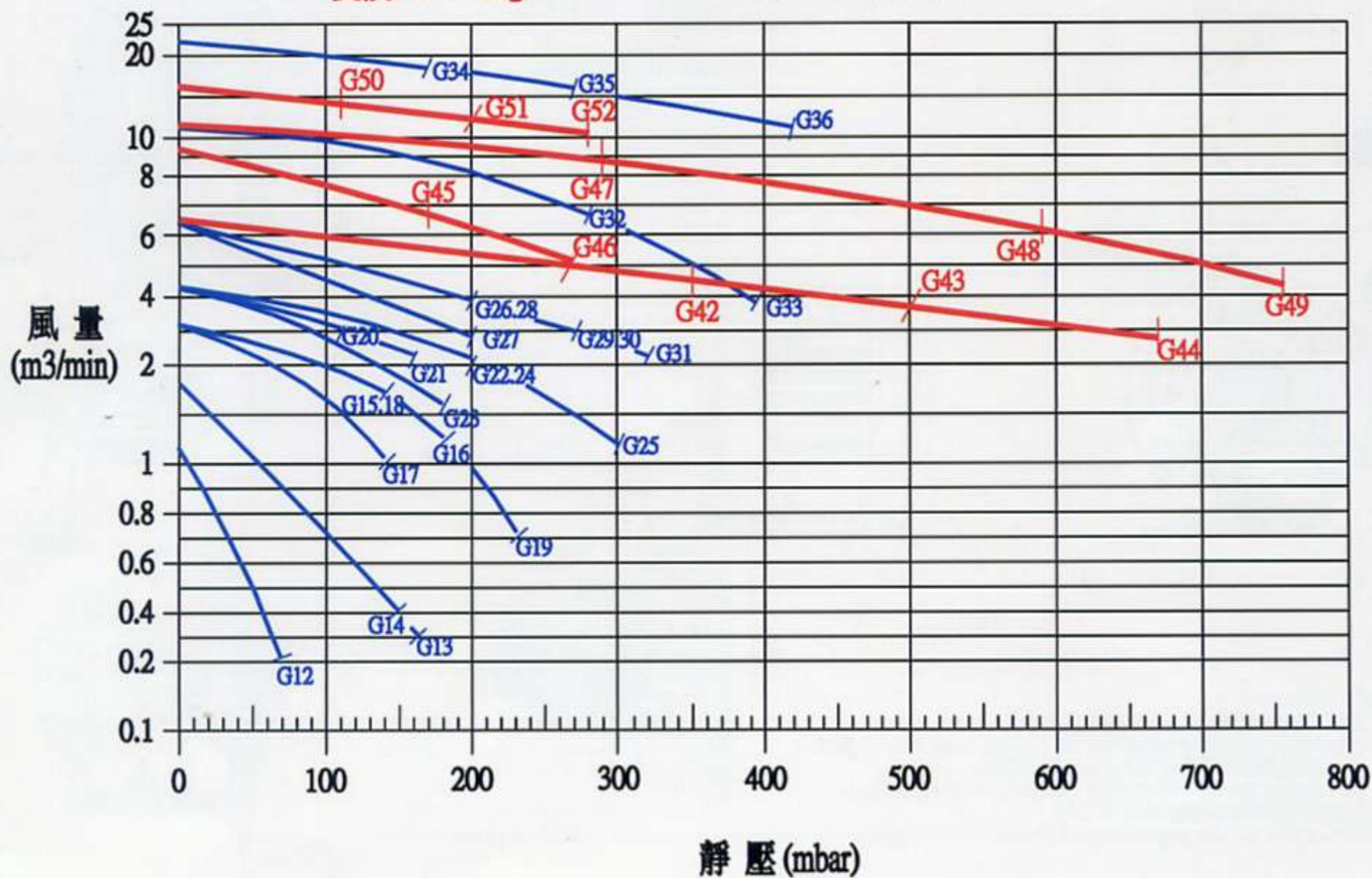
## 60Hz(吸 / Vacuum)



— 單段 / Single Stage

— 雙段 / Two Stage

## 60Hz(吐 / Compressor)



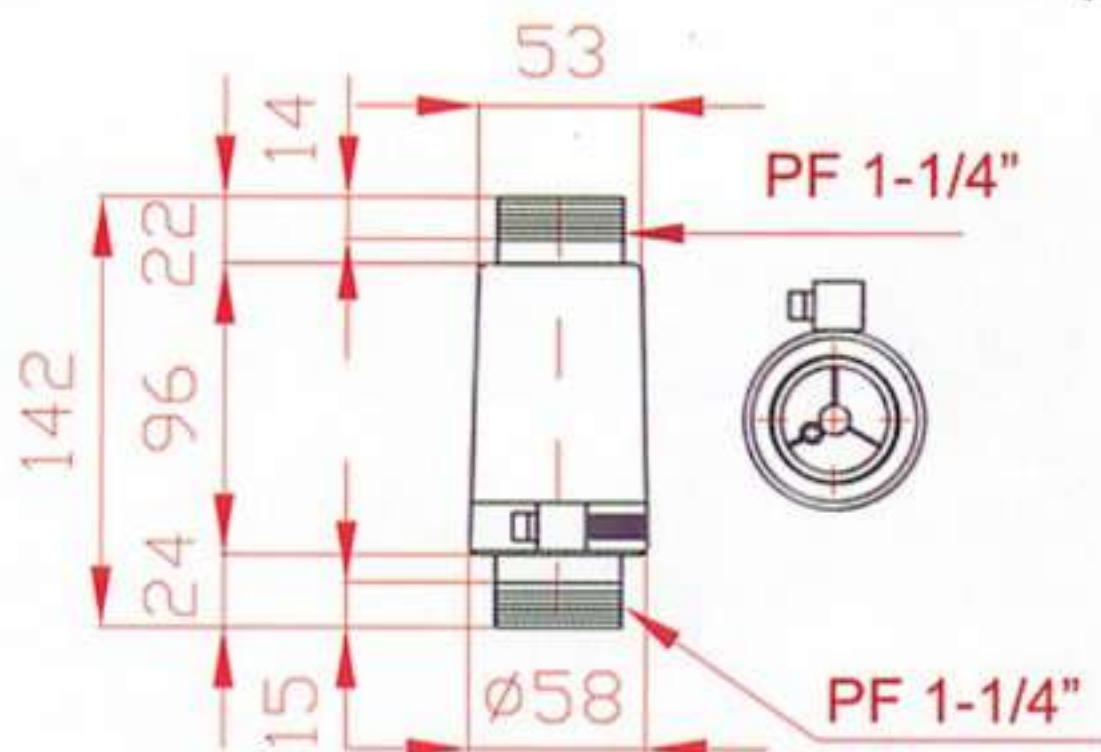




# 鼓風機配件表 / Accessories

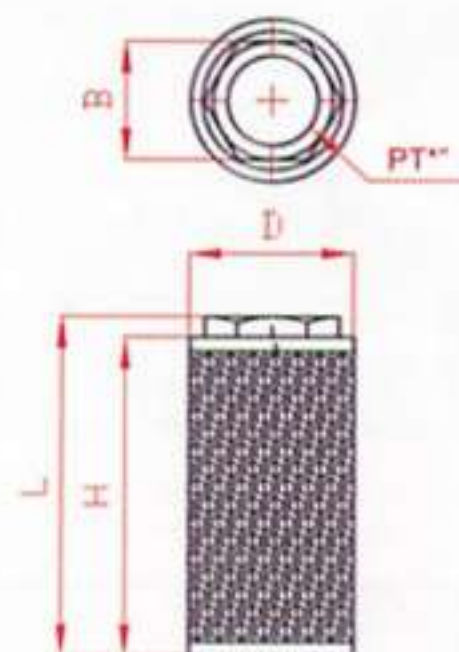
## 釋壓閥 / Pressure Relief Valve

型號 Type	口徑/PF	L (mm)	規格 Dimension
RV-01	1 1/4"	142	0~3000mmAq
RV-02	1 1/4"	142	0~6000mmAq



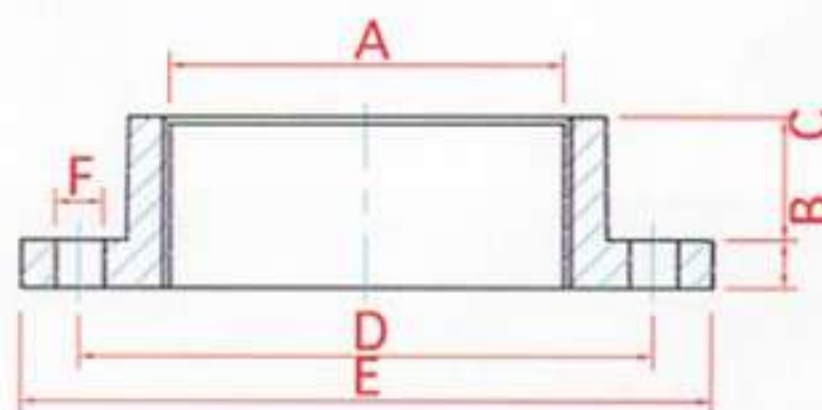
## MF型過濾器 / MF Type Suction Filter

符號Symbol 型號Type	口徑 PT	D (mm)	L (mm)	H (mm)	B (mm)	過濾精度(目) Filtration mesh	重量(kg) Weight
MF-08	1"	58	170	155	42	100	0.20
MF-10	1 1/4"	71	186	170	54	100	0.35
MF-12	1 1/2"	85	196	182	65	100	0.49
MF-16	2"	103	215	202	75	100	0.65
MF-20	2 1/2"	148	274	252	97	100	1.20
MF-32	4"	208	380	357	142	100	2.45



## 牙口/Threaded Flange[mm]

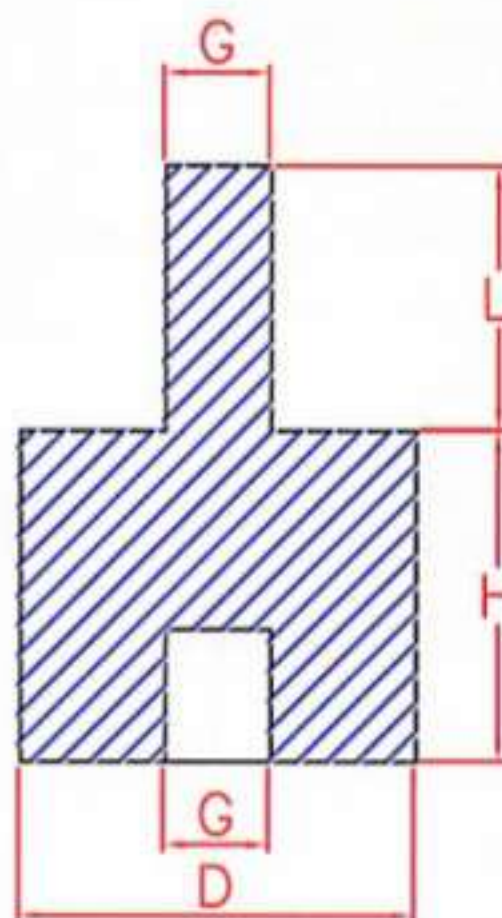
符號Symbol 型號Type	A	B	C	D	E	F
2-011	PF 1 1/4"	7	22	64	79	6
3-011	PF 1 1/2"	7	24	68	86	6
6-011	PF 2"	7	18	83	100	7
8-011	PF 2 1/2"	15	16	Ø130	144	7
9-011	PF 4"	8	22	150	170	9



## 防震腳墊供垂直或水平安裝

### Footprint dimensions for vertical/horizontal mounting[mm]

型號 Type	D	H	G	L
MFB2520	25	20	M6	12
MFB3025	30	25	M8	15
MFB7540	75	40	M12	20
MFB7545	75	45	M12	37



附註Remark: 若需要其他配件, 請與本公司或經銷商連絡。  
If you need other accessories, please contact us or distributors.