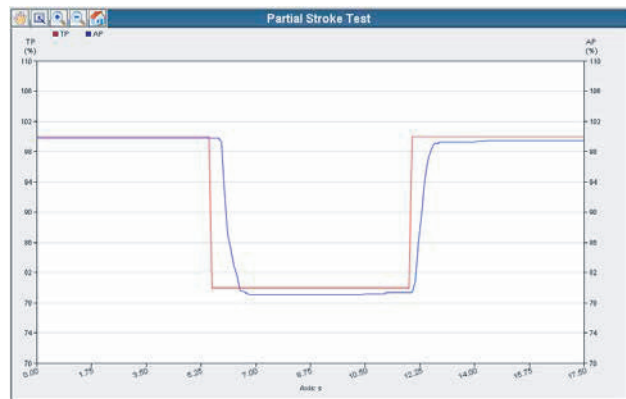
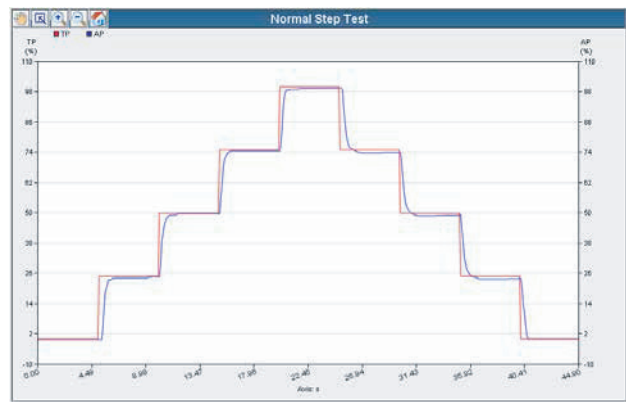
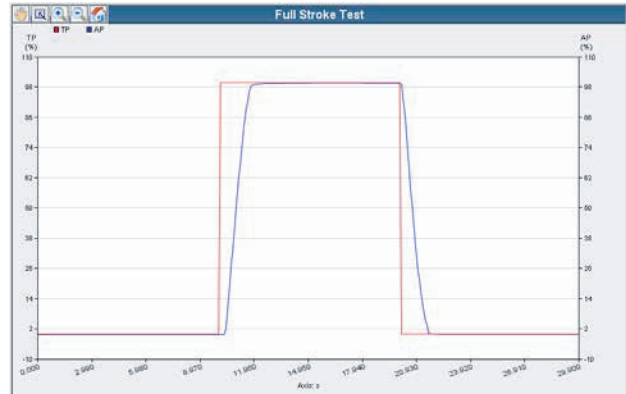


Offline diagnostics

Automated package tests, checking integrity and dynamic behavior:

- Valve signature
- 25% step test
- Large step test
- Performance step test

These tests provide data to validate system performances. The system allows a reference to be set for further analysis highlighting performance shifts for predictive maintenance.



Partial Stroke Test capabilities

Automated PST functionality:

Configurable parameters

- PST interval [days]
- Position tolerance [%]
- PST start position [%]
- Target position [%]
- PST time out limit [sec]
- Target position hold time [sec]
- PST ramp up/down [%/sec] to reduce risks of overshooting system

Test activation via:

- Local positioner menu
- Remote DI control push button
- Remote HART® connection

Smart Positioners YT-3700 / YT-3750

Item Type	YT-3700	YT-3750
Input Signal	4 to 20 mA DC	
Supply Pressure	0.14 to 0.7 MPa = 1.4 to 7 bar = 20 to 102 psi	
Stroke	Linear Type	10 to 150 mm (0.4 to 6")
	Rotary Type	55 to 110°
Impedance	Max. 500 Ω @ 20 mA DC	
Air Connection	Rc1/4, 1/4NPT, G1/4	1/4NPT
Gauge Connection	Rc1/8, 1/8NPT	1/8NPT
Conduit	G1/2, M20, 1/2NPT	G1/2
Operating Temp.	Standard Type	-30 to +85 °C (-22 to +185 °F)
	Low Temp. Type	-40 to +85 °C (-40 to +185 °F)
	Arctic Temp. Type	-55 to +85 °C (-67 to +185 °F)
	LCD	withstands -55 to +85 °C (-67 to +185 °F) only visible above -40 °C (-40 °F)
Linearity	±0.5% F.S.	
Hysteresis	±0.5% F.S.	
Sensitivity	±0.2% F.S.	
Repeatability	±0.3% F.S.	
Air Consumption	Below 2 LPM (sup = 0.14 Mpa) Below 0.07 CFM (sup = 20 psi)	
Flow Capacity	70 LPM (sup = 0.14 MPa) 2.47 CFM (sup = 20 psi)	
Output Characteristics	Linear, EQ%, Quick Open, User Set (5 or 21 Points)	
Material	Aluminium Diecasting	Stainless Steel 316
Ingress Protection	Ip66, Type 4x	
Explosion Protection Type	ATEX / IECEx Ex ia IIC T5/T6 Gb Ex ia IIIC T100°C/T85°C Db IP 6x	
	CCC	Ex ia IIC T5/T6 Gb Ex iaD 21 T100/T85
	KCs	Ex ia IIC T6/T5 Ex ia IIIC T85°C/T100°C
	FM	Intrinsically Safe. See the product manual for the detail.
	CSA	Intrinsically Safe. See the product manual for the detail.
	INMETRO	Ex ia IIC T6/T5 Gb Ex ia IIC T85°C/T100°C Db IP66
	NEPSI	Ex ia IIC T5/T6 Gb, Ex iaD 21 T100/T85
	EAC	Intrinsically Safe. See the product manual for the detail.
Communication (Option)	HART (ver.7)	
L/S Rating	Mechanical Type (Omron)	AC 125 V, 3 A / DC 30 V, 2 A
	Proximity Type (P&F)	DC 8.2 V 8.2 mA
Weight	2 kg (4.4 lb)	5.1 kg (11.2 lb)
Digital Input	Low level control voltage 0 to 5 VDC High level control voltage 11 to 28 VDC Max current < 4 mA	
Digital Output	Supply voltage 5 to 28 VDC Low level current < 1 mA High level current > 2.1 mA @5 VDC, < 14mA @28 VDC	

Product Code

YT-3700 - L - S - N - 2 - 4 - 2 - 4 - S

Model

YT-3700 = Aluminium housing
YT-3750 = Stainless steel housing

Motion Type

L = Linear
R = Rotary (in case of a switches request the device will have visual position indicator as standard)

Acting Type

S = Single
D = Double

Explosion Protection

N = Non-explosion
i = Intrinsically Safe ATEX, IECEx.KCs
A = Intrinsically Safe CSA, FM (Both S and L of Operating Temp. available.)
E = Intrinsically Safe EAC
Z = Intrinsically Safe CCC

Lever Type

Linear	Rotary
0 = 10 to 40 mm	5 = NAMUR
1 = 20 to 100 mm	
2 = 90 to 150 mm	

Conduit & Air Connection

1 = G1/2 - Rc1/4
2 = G1/2 - 1/4 NPT (YT-3750 is available for No. 2 ONLY)
3 = G1/2 - G1/4
4 = M20 - 1/4 NPT
5 = 1/2 NPT - 1/4 NPT

Communication Protocols

2 = HART communication

Output Options

0 = None
1 = 4 to 20 mA feedback
4¹ = 4 to 20 mA feedback + Limit Switch - Mechanical Type (potentiometer drive without digital I/O communication)
5² = 4 to 20 mA feedback + Limit Switch - Proximity Type (potentiometer drive without digital I/O communication)

Operating Temp. (Non-explosion proof)³

S = -30 to +85 °C (-22 to +185 °F) (N/A for EAC)
L = -40 to +85 °C (-40 to +185 °F)
A = -55 to +85 °C (-67 to +185 °F) (only available with EAC certification)

Notes:

1. Only S, L of Operating Temperature are available for 4 of Output Options
2. Only S of Operating Temperature is available for 5 of Output Options
3. This option is just the normal operating temperature of the product and is not related to explosion protection temperature. See certificates for explosion protection temperature.

Smart Positioners YT-3400 / YT-3450

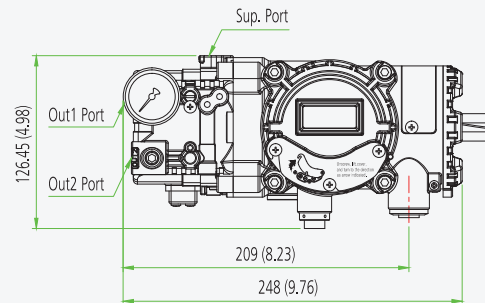
Torque motor technology with communications

Design features

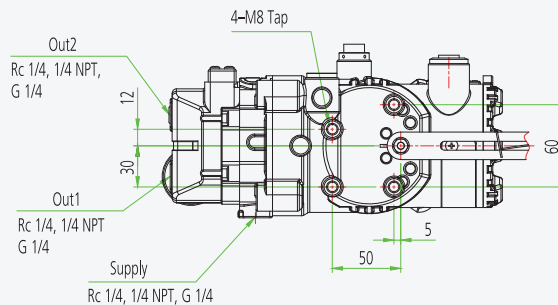
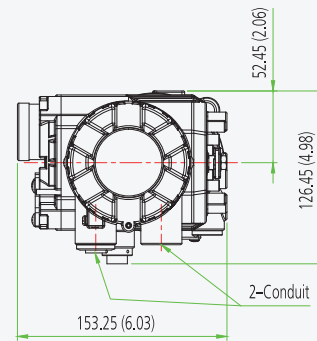
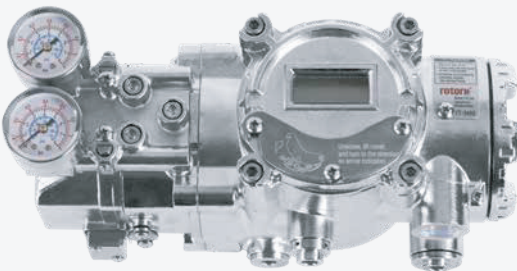
- **Explosionproof / flameproof housing.** Global certification for Zone 1 and Division 1 installations.
- **Auto calibration.** Simple menu structure with options to auto calibrate all parameters or zero and end points only.
- **LCD display.** Alphanumeric digital display for process values and calibration.
- **Partial Stroke Test (PST).** Fully adjustable PST, with single or double set positions, all functionality can be performed and selected locally, through push buttons, or remotely with communication protocol.
- **Feedback signal.** Analogue feedback signals with 4 to 20 mA, mechanical and transistor switch options.
- **Auto / manual switch.** Enables closed-loop automatic valve position control or manual positioning via the Open / Close buttons. The manual mode is useful for troubleshooting, calibration, system testing or as a manual bypass.
- **PID control.** Pre-calibrated and user configurable variables via front panel pushbutton menu.
- **HART® communication.** Allows commands, position feedback and diagnostics to be sent digitally over the current loop.
- **Front panel pushbuttons for configuration.** Four robust and positive acting pushbuttons for field configuration.



YT-3400 Aluminium Enclosure



YT-3450 STS316 Enclosure



Dimensions: mm (Inches ")

Smart Positioners YT-3400 / YT-3450

Item Type	YT-3400	YT-3450
Input Signal	4 to 20 mA DC	
Supply Pressure	0.14 to 0.7 MPa = 1.4 to 7 bar = 20 to 102 psi	
Stroke	Linear Type	10 to 150 mm (0.4 to 6")
	Rotary Type	55 to 110°
Impedance	Max. 450 Ω @ 20 mA DC	
Air Connection	Rc 1/4, 1/4 NPT, G 1/4	1/4 NPT
Gauge Connection	Rc 1/8, 1/8 NPT	1/8 NPT
Conduit	G 1/2, 1/2 NPT, M20	G 1/2
Operating Temp.	Standard Type	-30 to +85 °C (-22 to +185 °F)
	Low Temp. Type	-40 to +85 °C (-40 to +185 °F)
	Arctic Temp. Type	-55 to +85 °C (-67 to +185 °F)
	LCD Operating Temp.	withstands -55 to +85 °C (-67 to +185 °F) only visible above -40 °C (-40 °F)
Linearity	±0.5% F.S.	
Hysteresis	±0.5% F.S.	
Sensitivity	±0.2% F.S.	
Repeatability	±0.3% F.S.	
Air Consumption	Below 2 LPM (sup = 0.14 MPa) Below 0.08 CFM (sup = 20 psi)	
Flow Capacity	70 LPM (sup = 0.14 MPa) 2.47 CFM (sup = 20 psi)	
Output Characteristics	Linear, EQ%, Quick Open, user set (5 or 18 Points)	
Material	Aluminium Diecasting	Stainless Steel 316
Ingress Protection	NEMA 4-4X, IP66	
Explosion Protection Type	ATEX, IECEx, EAC Ex db IIC T5/T6, Ex tb IIIC T85°C/T100°C CCC, NEPSI Ex d IIC T5/T6 Gb Ex tD A21 IP66 T85°C/T100°C KCs Ex d IIC T5/T6 IP66 CSA Ex db IIC T5 or T6 Class I, Zone 1, AEx db IIC T5 or T6, Class II, Division 1, Groups E, F and G; Ex tb IIC T85°C/T100°C AEx tb IIIC T85°C/T100°C Type 4, 4X; IP66 FM XP/V1/ABCD/T6 Ta= -40°C to +70°C, T5 Ta= -40°C to +80°C I1/AEx db IIC/T6 Ta= -40°C to +70°C, T5 Ta= -40°C to +80°C DIP/II, III/1/EFG/T6 Ta= -40°C to +70°C, T5 Ta= -40°C to +80°C 21/AEx tb IIIC/T85°C Ta= -40°C to +70°C, T100°C Ta= -40°C to +80°C; IP66 ECAS Ex db IIC T5/T6 Gb, Ex tb IIIC T100°C/T85°C Db INMETRO Ex db IIC T5/T6 Gb IP66 Ex tb IIIC T85°C/T100°C Db IP66	
Communication (Option)	HART (ver.7)	
Weight	3.4 kg (7.5 lb)	7.0 kg (15.4 lb)

Product Code

YT-3400 - L - S - C - 2 - 4 - 2 - 3 - S

Model

YT-3400 = Aluminium housing
YT-3450 = Stainless steel housing

Motion Type

L = Linear
R = Rotary

Acting Type

S = Single
D = Double

Explosion Protection

C¹ = ATEX, IECEx, KCs, CCC, NEPSI, INMETRO
E = EAC
A = CSA, FM
Z = CCC

Lever Type

Linear	Rotary
1 = 10 to 40 mm	1 = M6 x 34L
2 = 20 to 70 mm	2 = M6 x 63L
3 = 50 to 100 mm	3 = M8 x 34L
4 = 100 to 150 mm	4 = M8 x 63L
	5 = NAMUR

Conduit & Air Connection

1 = G1/2 - Rc1/4 (N/A for CCC, YT-3450)
2 = G1/2 - 1/4 NPT (N/A for CCC)
3 = G1/2 - G1/4 (N/A for CCC, YT-3450)
4 = M20 - 1/4 NPT (N/A for YT-3450)
5 = 1/2 NPT - 1/4 NPT

Communication

0 = None
2 = HART protocol communication

Output Options

0 = None
1 = 4 to 20 mA feedback
2 = Limit switch²
3 = 4 to 20 mA feedback + Limit switch²

Operating Temp. (Non-explosion proof)³

S = -30 to +85 °C (-22 to +185 °F) (N/A for EAC)
L = -40 to +85 °C (-40 to +185 °F)
A = -55 to +85 °C (-67 to +185 °F) (only available with EAC certification)

Notes:

1. Please put the name of the certificate in a purchase order.
2. Limit switch: DC 24V (50mA) and transistor type.
3. This option is just the normal operating temperature of the product and is not related to explosion protection temperature. See certificates for explosion protection temperature.

Smart Positioners YT-2500 / YT-2550 / YT-2501

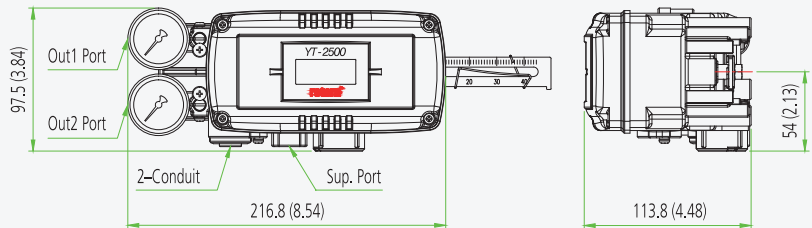
Piezo technology with communications

Design features

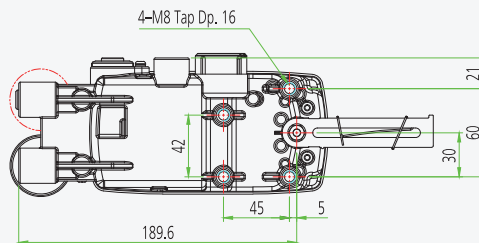
- **Fail-freeze and fail-safe functions.** Enables the valve maintain the last position (fail-freeze) or move to a pre-determined position (fail-safe) on the loss of electrical power supply or the pneumatic supply air.
- **Auto calibration.** Simple menu structure with options to auto calibrate all parameters or zero and end points only.
- **LCD display.** Alphanumeric digital display for process values and calibration.
- **Low air consumption level.** Almost zero air leakage.
- **Feedback signal.** Analogue feedback signals with 4 to 20 mA, mechanical and proximity switch options.
- **PD control.** Pre-calibrated and user configurable variables via front panel pushbutton menu.
- **HART® communication.** Allows commands, position feedback and diagnostics to be sent digitally over the current loop.
- **Front panel pushbuttons for configuration.** Four robust and positive acting pushbuttons for field configuration.



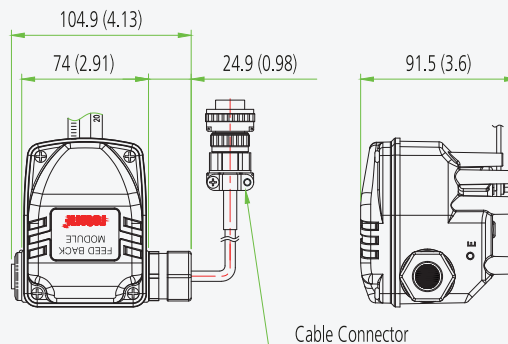
YT-2500 Aluminium Enclosure



YT-2550 Stainless Steel Enclosure



YT-2501 Remote Mounting Option



Dimensions: mm (Inches ")