

Limit Switch Boxes YT-870 / YT-875

Design features

- **Visual position indicator.** 360° viewing angle.
- **Multiple output signals.** Eight contacts of terminal ports.
- **Universal compatibility.** Suitable for any rotary motion actuator <ISO5211>.
- **Easy configuration.** Simple adjustment of cam position.
- **Dual conduit entries.** Separate connections for power and signal cables.



YT-870

YT-875



Product Code

YT-870 - M - 1 - 0 - 0 -

Item Type		YT-870M YT-875M	YT-870P YT-875P	YT-870D YT-875D
Switch Type		Mechanical Switch (2 x SPDT)	Inductive Proximity Sensor	
		SS5GL (Omron)	PS17-5DNU (Autonics, NPN type)	NJ2-V3-N (P&F, NC type)
Switch Rating	AC	250 V 5 A 125 V 5 A	-	-
	DC	250 V 0.2 A, 125 V 0.4 A, 30 V 4 A, 14 V 5 A, 8 V 5 A	12 - 24 V	8.2 V
				125 V or 250 V 10A
				125 V 0.5 A, 250 V 0.25 A, 30 V 10 A, 14 V 10 A, 8 V 10 A
Ingress Protection		Type 4, 4X, IP 67		
Explosion Protection Type		ATEX, IECEx Ex db IIC T6, Ex tb IIIC T85°C CSA Ex db IIC T6 Class I, Zone 1, AEx db IIC T6 Class II, Division 1, Groups E, F and G, Ex tb IIIC T85°C Zone21, AEx tb IIIC T85°C KCs Ex d IIC T6 CCC Ex d IIC T6 Gb Ex tD A21 IP67 T85°C		
Operating Temp.		-20 to +60 °C (-4 to +140 °F)		
Conduit Entry		YT-870: 3/4 NPT, G 3/4, M20x1.5P, 1/2 NPT YT-875: 3/4 NPT		
Terminal		YT-870D, 875D = 12 Points		
Mounting Bracket		NAMUR VDI / VDE 3845, ISO 5211		
Material and Weight	YT-870	Aluminium Diecasting: 1.5 kg (3.3 lb)		
	YT-875	Stainless Steel 316: 3.5 kg (7.7 lb)		

Model

YT-870 = Flameproof Aluminium
YT-875 = Flameproof Stainless Steel

Switching Type

M = Mechanical Type (2 x SPDT)
P = Inductive Proximity Type¹
D = Mechanical Type (2 x DPDT)

Conduit

1 = 3/4 NPT
2 = G3/4 (YT-870 only)
3 = M20x1.5P (YT-870 only)
4 = 1/2 NPT (YT-870 only)

Bracket Type

0 = None
1 = ST-1 (30x80,H20)
2 = ST-2 (30x80,H30)
3 = ST-3 (30x130,H30)
4 = ST-4 (30x130,H50)

Option

0 = None
1 = SPTM²

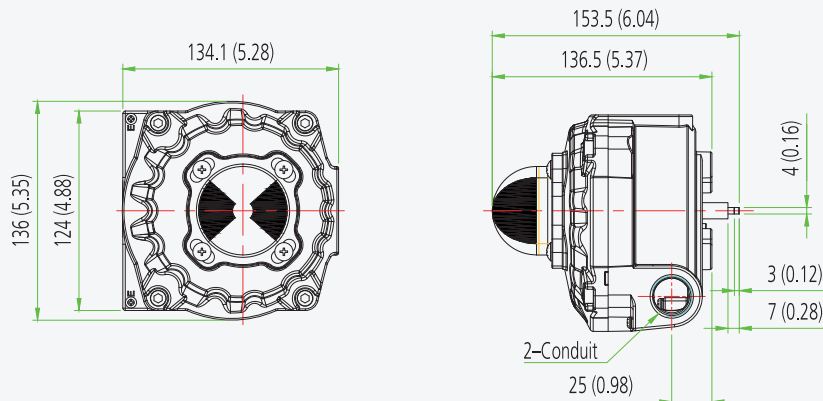
Explosion Protection

Blank = N/A for CCC
Z = CCC

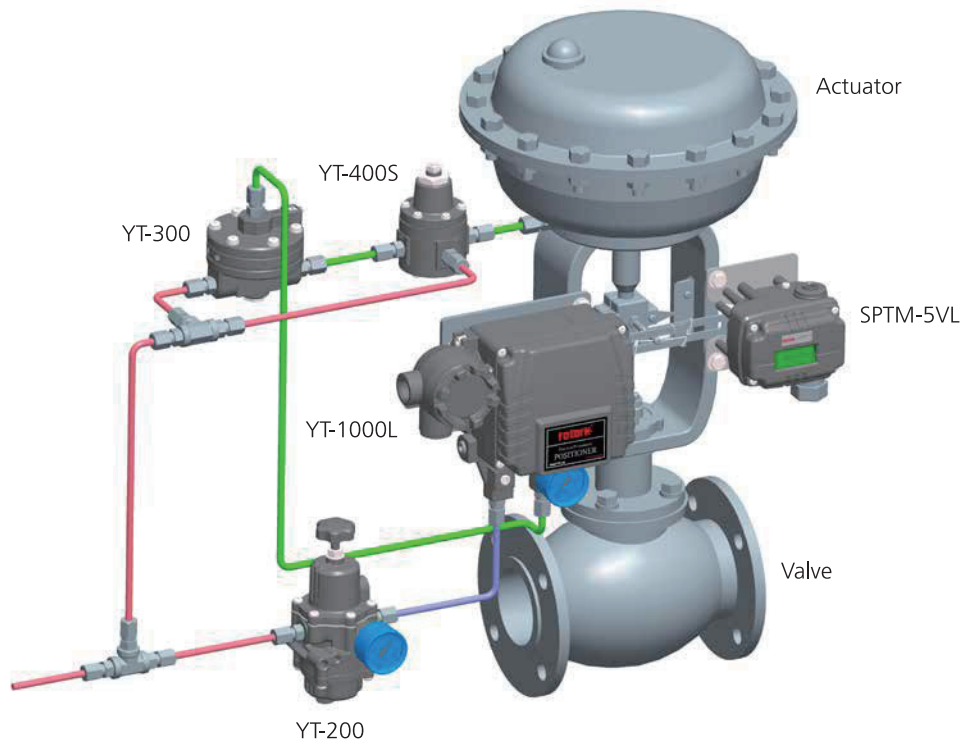
Notes:

- Standard type is PN17-5DNU (Autonics, NPN type). But PSN17-5DPU (Autonics, PNP) and NJ2-V3-N (P&F, NC type) are also available.
- Only M of Switching type is available.

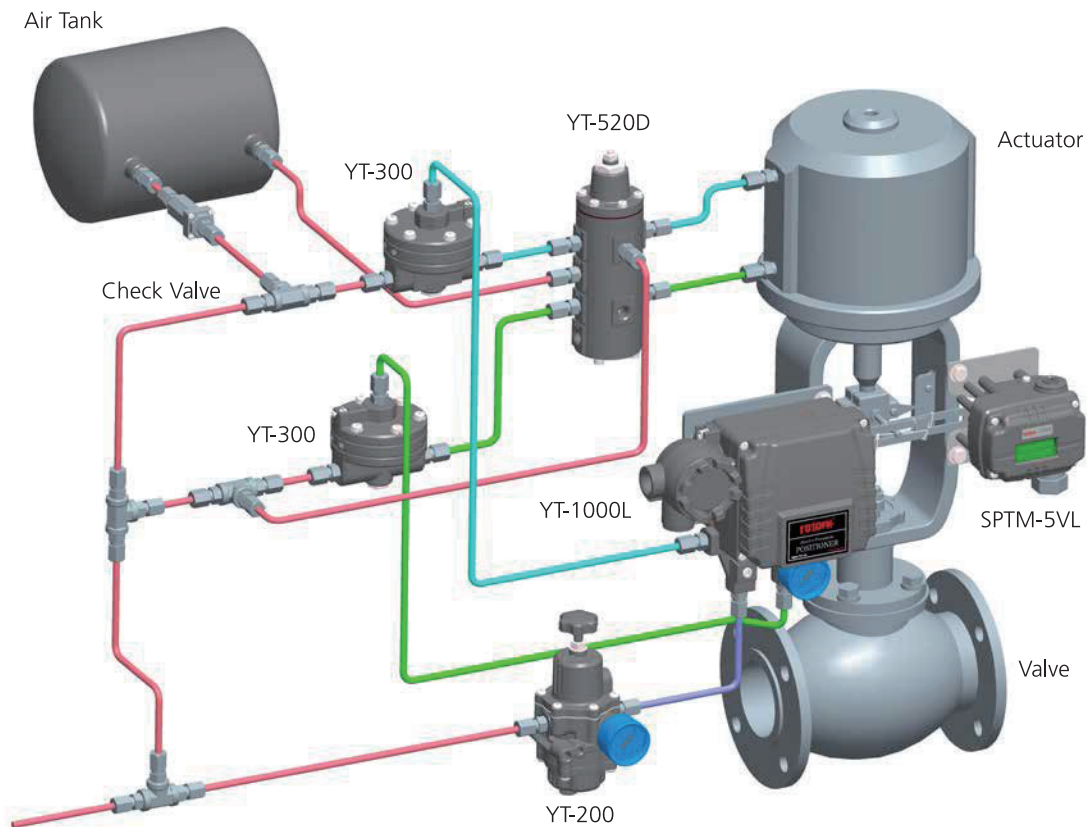
Dimensions: mm (Inches ")



Examples for Installation (Linear Type)



YT-1000L (Single type) Application Example



YT-1000L (Double type) Application Example