

Smart Positioner YT-2600

Item Type	YT-2600	
Input Signal	4 to 20 mA DC	
Supply Pressure	0.14 to 0.7 MPa = 1.4 to 7 bar = 20 to 102 psi	
Stroke	Linear Type	10 to 150 mm (0.4 to 6")
	Rotary Type	0 to 90°
Impedance	Max. 450 Ω @ 20 mA DC	
Air Connection	Rc 1/4, 1/4 NPT, G 1/4	
Gauge Connection	Rc 1/8, 1/8 NPT	
Conduit	G 1/2, 1/2 NPT, M20x1.5P	
Operating Temp.	Standard Type	-30 to +80 °C (-22 to +176 °F)
	Explosion Temp.	-30 to +80 °C (-22 to +176 °F) (T5) -30 to +70 °C (-22 to +158 °F) (T6)
Linearity	±0.5% F.S.	
Hysteresis	±0.5% F.S.	
Sensitivity	±0.2% F.S.	
Repeatability	±0.3% F.S.	
Air Consumption	Fail-freeze	0.01 LPM (sup = 0.14 MPa) 0 CFM (sup = 20 psi)
	Fail-safe	0.06 LPM (sup = 0.14 MPa) 0.002 CFM (sup = 20 psi)
Flow Capacity	Fail-freeze	50 LPM (sup = 0.14 MPa) 1.77 CFM (sup = 20 psi)
	Fail-safe	40 LPM (sup = 0.14 MPa) 1.41 CFM (sup = 20 psi)
Output Characteristics	Linear, EQ%, Quick Open, User Set (5 or 18 Points)	
Material	Aluminium Diecasting	
Ingress Protection	IP66	
Explosion Protection Type	ATEX, IECEx, KCs Ex db IIC T5/T6, Ex tb IIIC T85°C/T100°C EAC 1Ex d IIC T6/T5 Gb X Ex tb IIIC T85°C/T100°C Db X IP66 CCC Ex d IIC T5/T6 Gb Ex tD A21 IP66 T85°C/T100°C EAC 1Ex d IIC T6...T5 Gb X Ex tb IIIC T85°C...T100°C Db X IP66	
Communication (Option)	HART (ver.5)	
Weight	3.0 kg (6.61 lb)	

Product Code

YT-2600 - L - S - C - 2 - 4 - 2 - 3 - S

Model

YT-2600 = Aluminium housing

Motion Type

L = Linear
R = Rotary

Acting Type

S = Single
D = Double

Explosion Protection

C = ATEX, IECEx, KCs E = EAC
Z = CCC

Lever Type

Linear	Rotary
1 = 10 to 40 mm	1 = M6 x 34L
2 = 20 to 70 mm	2 = M6 x 63L
3 = 50 to 100 mm	3 = M8 x 34L
4 = 100 to 150 mm	4 = M8 x 63L
	5 = NAMUR

Conduit & Air Connection

1 = G1/2 - Rc1/4 (N/A for CCC)
2 = G1/2 - 1/4 NPT (N/A for CCC)
3 = G1/2 - G1/4 (N/A for CCC)
4 = M20x1.5P - 1/4 NPT
5 = 1/2 NPT - 1/4 NPT

Communications

0 = None
2 = HART protocol communication

Output Options

0 = None
1 = 4 to 20 mA feedback
2 = Limit switch¹
3 = 4 to 20 mA feedback + Limit switch¹

Fail Option

F = Fail-freeze
S = Fail-safe

Notes:

1. Limit switch: DC 24V (50mA) and transistor type.

IP Converters YT-930 / YT-940

Design features

- **Flameproof housing (YT-940)** for Zone 1 installation.
- **High accuracy and sensitivity** with pressure sensor.
- **Analogue PID control.** High resolution proportional control
- **No effect from mounting orientation**

Item Type	YT-930	YT-940
Input Signal	4 to 20 mA DC	
Output Pressure	Standard	1 0.02 ~ 0.1 MPa (0.2 ~ 1.0 bar)
	Multi-range	2 0.00 ~ 0.12 MPa (0 ~ 1.2 bar)
		3 0.04 ~ 0.2 MPa (0.4 ~ 2.0 bar)
		4 0.00 ~ 0.23 MPa (0 ~ 2.3 bar)
Supply Pressure	Standard	1 0.13 ~ 0.16 MPa (1.3 ~ 1.6 bar)
	Multi-range	2 0.14 ~ 0.16 MPa (1.4 ~ 1.6 bar)
		3 0.22 ~ 0.24 MPa (2.2 ~ 2.4 bar)
		4 0.25 ~ 0.27 MPa (2.5 ~ 2.7 bar)
Explosion Protection Type	ATEX, IECEx Ex ia IIC T5/T6 Gb, Ex ia IIIC T100°C/ T85°C Db	FM, CSA Class I Division 1 Groups A,B,C,D Class II, III Division 1 Groups E,F,G Class I Zone 1 AEx d IIC T6 Ta=-40°C to +75°C, T5 Ta=-40°C to +85°C, Type 4X, IP66 Zone 21 AEx tb IIIC T85°C Ta= -40°C to +75°C, T100°C Ta= -40°C to +85°C, Type 4X, IP66 KCs Ex d IIC T5/T6
Air Consumption	Below 2 LPM (sup = 0.14 MPa) Below 0.08 CFM (sup = 20 psi)	
Flow Capacity	70 LPM (sup = 0.14 MPa) 2.47 CFM (sup = 20 psi)	
Explosion Temp.	-40 to +60 °C (T5) / -40 to +40 °C (T6)	-40 to +85 °C (T5) / -40 to +75 °C (T6)
Operating Temp.	-40 to +85 °C (-22 to +185 °F)	
Linearity	±0.5% F.S.	
Hysteresis	±0.5% F.S.	
Sensitivity	±0.2% F.S.	
Repeatability	±0.3% F.S.	
Air Connection	Rc 1/4, 1/4 NPT	
Conduit	G 1/2	
Ingress Protection	IP66	Type 4X, IP66
Impedance	Max. 390Ω @20mA DC	Max. 390Ω @20mA DC
Material	Aluminium Diecasting	
Weight	1.6 kg (3.53 lb)	2.5 kg (5.6 lb)



YT-930

YT-940



Product Code

YT-930 - N - 1 - 1 - L - 0 - 0

Model

YT-930 = Intrinsically Safety Type
YT-940 = Flameproof Type

Explosion Protection

YT-930
N = Non-Explosion
i = ATEX, IECEx

YT-940
C = KCs, FM, CSA

Output Pressure

1 = 0.02 to 0.1 MPa
2 = 0.00 to 0.12 MPa
3 = 0.04 to 0.2 MPa
4 = 0.00 to 0.23 MPa

Conduit - Air Connection

1 = G1/2 - Rc1/4
2 = G1/2 - 1/4 NPT

Operating Temp. (Non-explosionproof)¹

L = -40 to +85 °C (-40 to +185 °F)

Option

0 = None
1 = Feedback Signal (4 to 20 mA DC)

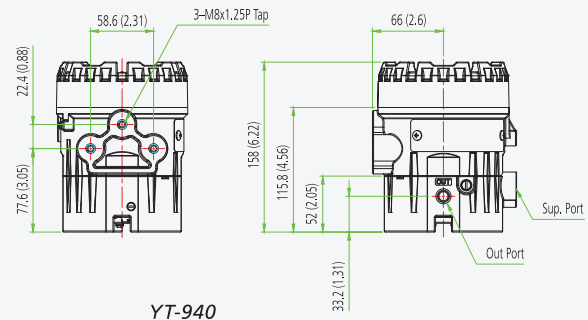
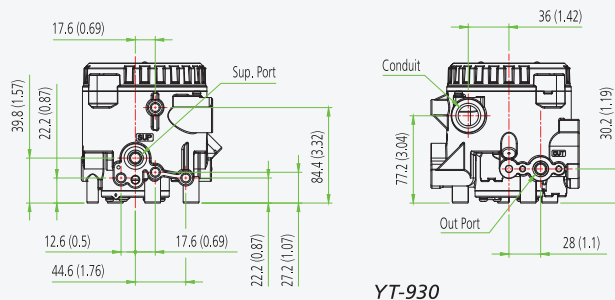
Gauge

0 = None
1 = 0 to 0.2 MPa
2 = 0 to 0.4 MPa

Notes:

1. This option is just the normal operating temperature of the product and is not related to explosion protection temperature. See certificates for explosion protection temperature.

Dimensions: mm (Inches *)



Air Filter Regulators YT-200 / YT-205 / YT-220 / YT-225

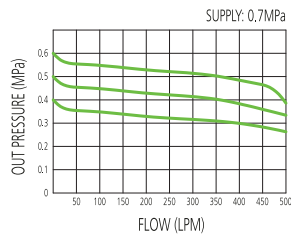
Design features

- **Stable output and repeatability.** Provides constant control under variable flow rates and supply pressures.
- **Relief flow capability.** Discharges pressure if outer pressure is higher than set pressure.
- **Light weight and compact size.** Reduces installation costs.
- **Five micron filter.** Protects pneumatic instruments from dirty air.
- **Manual or auto draining option**

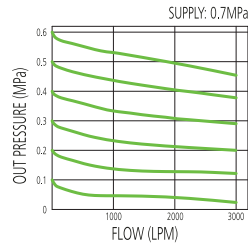


CE Ex EAC

YT-200 / YT-205 Flow (LPM)



YT-220 / YT-225 Flow (LPM)



Product Code

YT-200 - A - N - 0 - 1 - 0

Model

YT-200 = Aluminium 1/4"
 YT-205 = Stainless Steel 1/4"
 YT-220 = Aluminium 1/2"
 YT-225 = Stainless Steel 1/2"

Adjustable Range

A = 0 to 0.42 MPa
 B = 0 to 0.84 MPa

Connection Type

P = Rc (N/A for YT-205/225)
 N = NPT

Gauge

0 = None
 1 = 0 to 0.4 MPa
 2 = 0 to 1.0 MPa

Operating Temp.

1 = -20 to +70 °C (-4 to +158 °F) (N/A for EAC)
 2 = -20 to +120 °C (-4 to +248 °F) (N/A for EAC)
 3 = -40 to +70 °C (-40 to +158 °F)
 4 = -50 to +70 °C (-58 to +158 °F) (only EAC)

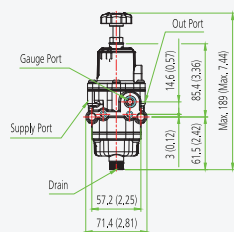
Option

0 = Manual drain
 1 = Auto drain¹

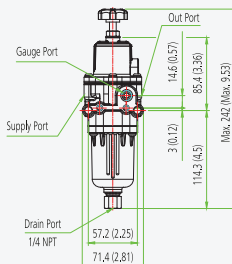
Item Type	YT-200	YT-220	YT-205	YT-225
Max. Supply Pressure	1.7 MPa = 17 bar = 246.5 psi			
Max. Output Pressure	0.42 MPa (A Type), 0.84 MPa (B Type) 60.9 psi (A Type), 121.8 psi (B Type)			
Air Connection	Rc 1/4, 1/4 NPT	Rc 1/2, 1/2 NPT	1/4 NPT	1/2 NPT
Gauge Connection	Rc 1/4, 1/4 NPT	Rc 1/4, 1/4 NPT	1/4 NPT	1/4 NPT
Operating Temp.	-20 to +70 °C (-4 to +158 °F) (Standard type)			
Min. Filtering Size	5 micron			
Material	Aluminium Diecasting		Stainless Steel 316	
Weight (Manual drain)	0.62 kg (1.4 lb)	0.88 kg (2 lb)	1.5 kg (3.3 lb)	2.2 kg (4.8 lb)

Notes:

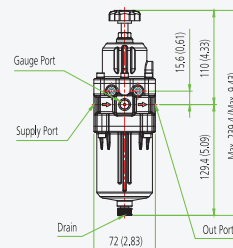
1. Only * 1" of Operating Temp. is available



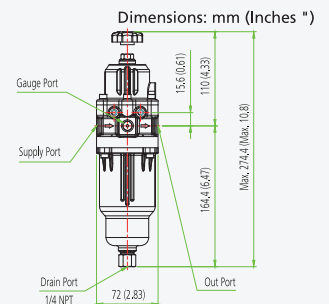
YT-200/205 Manual drain



YT-200/205 Auto drain



YT-220/225 Manual drain



YT-220/225 Auto drain

Volume Boosters YT-300 / YT-305 / YT-320 / YT-325 / YT-310 / YT-315

Design features

- **Large flow capacity.** Specifically designed to be used in conjunction with valve positioners.
- **Optimal sensitivity.** Reacts to sudden change in supply pressure.
- **Fixed deadband.** Provides accurate and stable final positioning of the valve.
- **Internal bypass control.** Improves system stability.



YT-300

YT-325

YT-315



Item Type		YT-300 YT-305	YT-320 YT-325	YT-310 YT-315
Max. Supply Pressure		1 MPa = 10 bar = 145 psi		
Max. Signal / Output Pressure		0.7 MPa = 7 bar = 102 psi		
Signal/Output Pressure Ratio		1:1		
Flow Capacity (Cv)	Exhaust	1.32	2.08	5.24
	Output	1.19	2.72	4.91
Supply/Output Connection		Rc 1/4, 1/4 NPT	Rc 1/2, 1/2 NPT	3/4 NPT
Signal Connection		Rc 1/4, 1/4 NPT		1/4 NPT
Linearity		±1% F.S.		
Operating Temp.		-20 to +70 °C (-4 to +158 °F) (Standard type)		
Material	YT-300, YT-320, YT-310	Aluminium Diecasting		
	YT-305, YT-325, YT-315	Stainless Steel 316		
Weight	YT-300 YT-320 YT-310	0.5 kg (1.1 lb)	0.76 kg (1.7 lb)	2.3 kg (5.1 lb)
	YT-305 YT-325 YT-315	1.3 kg (2.9 lb)	1.9 kg (4.2 lb)	5 kg (11 lb)

Product Code

YT-300 - N - 1

Model

YT-300 = Aluminium 1/4"
 YT-305 = Stainless Steel 1/4"
 YT-320 = Aluminium 1/2"
 YT-325 = Stainless Steel 1/2"
 YT-310 = Aluminium 3/4"
 YT-315 = Stainless Steel 3/4"

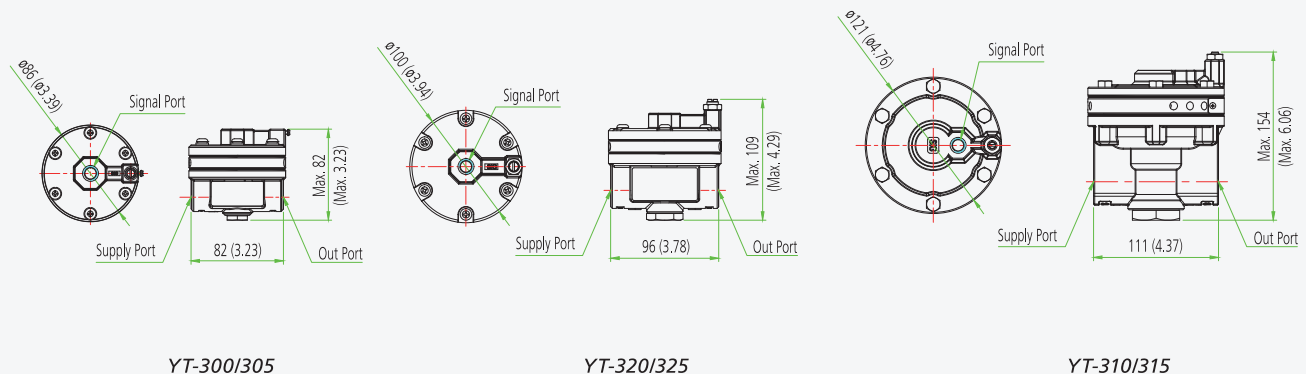
Connection Type (YT-305/325/310/315 are only available in NPT connection)

P = Rc
 N = NPT

Operating Temp.

1 = -20 to +70 °C (-4 to +158 °F) (N/A for EAC)
 2 = -20 to +120 °C (-4 to +248 °F) (N/A for EAC)
 3 = -40 to +70 °C (-40 to +158 °F)
 4 = -60 to +70 °C (-76 to +158 °F) (only EAC)

Dimensions: mm (Inches ")

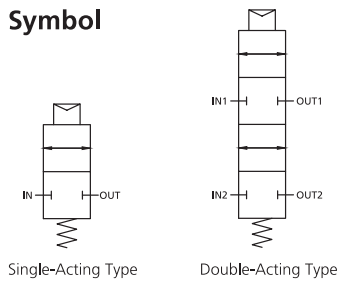


Lock-up Valves YT-400 / YT-405 / YT-430 / YT-435

Design features

- **Compact size.** No bracket is required.
- **Optimal sensitivity.** Detects small variation of the pressure - below 0.01 MPa.

Symbol



Single-Acting Type

Double-Acting Type



YT-400S

YT-405D

YT-430S

YT-435D



Item Type	YT-400	YT-405	YT-430	YT-435
Signal Pressure	0.14 to 0.7 MPa = 1.4 to 7 bar = 20 to 102 psi			
Max. Supply Pressure	Max. 1 MPa = 10 bar = 145 psi			
Signal Pressure Setting Range	Max. 0.7 MPa = 7 bar = 102 psi			
Hysteresis	Below 0.01 MPa = 0.1 bar = 1.45 psi			
Operating Temp.	-20 to +70 °C (-4 to +158 °F) (Standard type)			
Flow Capacity (Cv)	0.9		1.8	
Air Connection	Rc 1/4, 1/4 NPT	1/4 NPT	3/8 NPT	
Signal Connection	Rc 1/4, 1/4 NPT	1/4 NPT	1/4 NPT	
Material	Aluminium Diecasting	Stainless Steel 316	Aluminium Diecasting	Stainless Steel 316
Weight	Single	0.47 kg (1.1 lb)	1.3 kg (3.3 lb)	3.3 kg (7.3 lb)
	Double	0.66 kg (1.5 lb)	1.5 kg (3.3 lb)	2.7 kg (6 lb)

Product Code

YT-400 - S - P - 1

Model

YT-400 = Aluminium 1/4"
 YT-405 = Stainless Steel 1/4"
 YT-430 = Aluminium 3/8"
 YT-435 = Stainless Steel 3/8"

Acting Type

S = Single
 D = Double

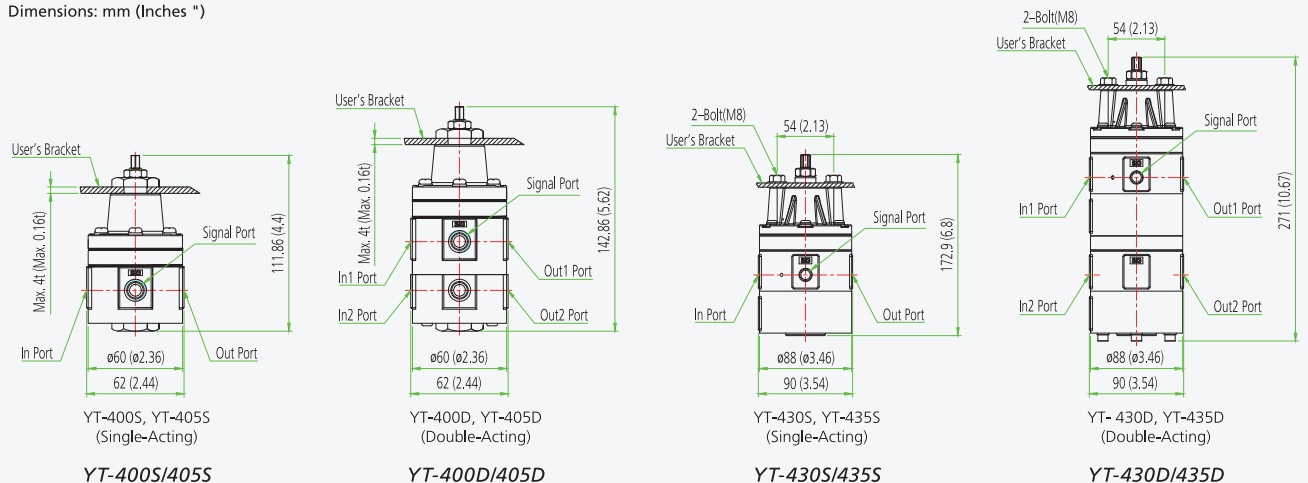
Connection Type

(YT-405/430/435 are only available in NPT connection)
 P = Rc
 N = NPT

Operating Temp.

1 = -20 to +70 °C (-4 to +158 °F) (N/A for EAC)
 2 = -20 to +120 °C (-4 to +248 °F) (N/A for EAC)
 3 = -40 to +70 °C (-40 to +158 °F)
 4 = -50 to +70 °C (-58 to +158 °F) (only EAC)

Dimensions: mm (Inches ")



YT-400S, YT-405S
(Single-Acting)
YT-400S/405S

YT-400D, YT-405D
(Double-Acting)
YT-400D/405D

YT-430S, YT-435S
(Single-Acting)
YT-430S/435S

YT-430D, YT-435D
(Double-Acting)
YT-430D/435D