

Snap Acting Relays YT-520 / YT-525 / YT-530 / YT-535

Design features

- **Rugged and reliable design.** Suitable for all environments.
- **Designed for valve actuation.** Changes the direction of the supply air to a 'fail-safe' circuit, or fail-freeze in its last known position, on sudden loss of supply air pressure.



YT-520S

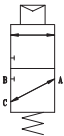
YT-525D

YT-530D

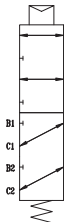
YT-535S



Symbol



Single-Acting Type



Double-Acting Type

Item Type	YT-520	YT-525	YT-530	YT-535
Hysteresis	= Below 0.01 MPa=0.1 bar=1.45 psi			
Signal Pressure	0.14 to 0.7 MPa=1.4 to 7 bar=20 to 102 psi			
Max. Supply Pressure	1 MPa=10 bar=145 psi			
Operating Temp.	-20 to +70 °C (-4 to +158 °F) (Standard type)			
Signal Connection	1/4 NPT			
A, B, C Connection	1/4 NPT		3/8 NPT	
Flow Capacity (Cv)	0.9		1.8	
Material	Aluminium Diecasting	Stainless Steel 316	Aluminium Diecasting	Stainless Steel 316
Weight	Single	0.71 kg (1.6 lb)	1.5 kg (3.3 lb)	3.3 kg (7.3 lb)
	Double	1.3 kg (2.9 lb)	3.1 kg (6.9 lb)	5.8kg (12.8 lb)

Product Code

YT-520 - S - 2 - 1

Model

YT-520 = Aluminium 1/4"
 YT-525 = Stainless Steel 1/4"
 YT-530 = Aluminium 3/8"
 YT-535 = Stainless Steel 3/8"

Acting Type

S = Single
 D = Double

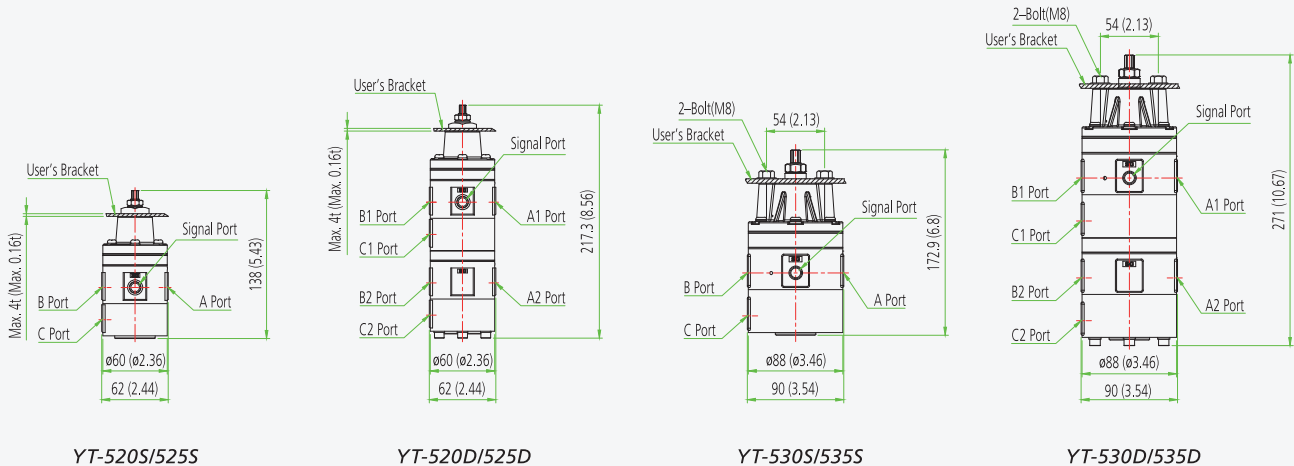
Connection Type

2 = NPT

Operating Temp.

1 = -20 to +70 °C (-4 to +158 °F) (N/A for EAC)
 2 = -20 to +120 °C (-4 to +248 °F) (N/A for EAC)
 3 = -40 to +70 °C (-40 to +158 °F)
 4 = -50 to +70 °C (-58 to +158 °F) (only EAC)

Dimensions: mm (Inches *)

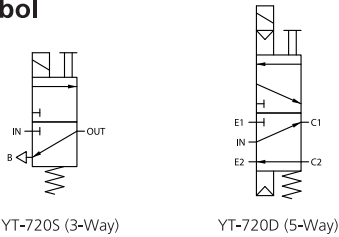


Solenoid Valve YT-720

Design features

- **Balance spool type.** No require of backing spring.
- **AC and DC Power options.** Interchangeable AC and DC coils.
- **Manual override options.** For maintenance or emergency operation.
- **Rotational connection.** Coil assembly can be rotated.

Symbol



YT-720S (3-Way)

YT-720D (5-Way)



Item Type		YT-720S	YT-720D
Max. Supply Pressure		0 to 0.4 MPa 0 to 0.7 MPa	0.1 to 1 MPa
Flow Capacity (Cv)	Output	0.2 (Φ3) at 0.4 MPa 0.084 (Φ1.6) at 0.7 MPa	0.75
	Exhaust	0.093	N/A
Rating Current	AC 220 V	60 mA (11 W)	
	AC 110 V	130 mA (12 W)	
	DC 24 V	580 mA (14 W)	
Frequency		50 to 60 Hz	
Explosion Protection Type		KCs Ex d IIC T6	
Connection Type		Rc 1/4, 1/4 NPT	
Conduit		G 1/2	
Coil Insulation Grade		Class F	
Operating Temp.	Operating	-20 to +70 °C (-4 to +158 °F)	
	Explosion	-20 to +50 °C (-4 to +122 °F)	
Weight		0.86 kg (1.9 lb)	1.3 kg (2.8 lb)

Product Code

YT-720 - S - P - 1 - 1

Model

YT-720

Valve Type

S = 3-Way
D = 5-Way

Connection Type

P = Rc
N = NPT

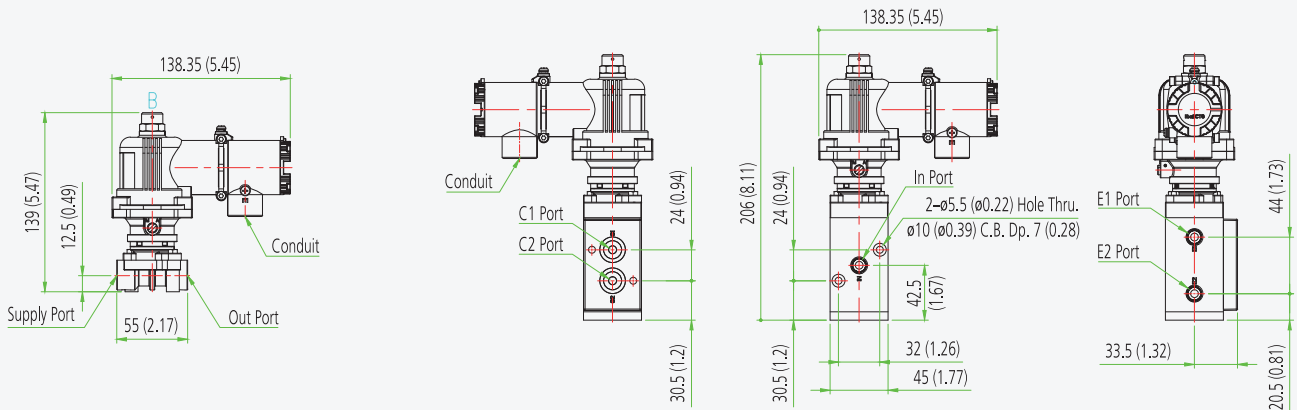
Power Source

1 = AC 110 V
2 = AC 220 V
3 = DC 24 V

Pressure

1 = 0 to 0.4 MPa (3-Way)
2 = 0 to 0.7 MPa (3-Way)
3 = 0.1 to 1.0 MPa (5-Way)

Dimensions: mm (Inches ")



YT-720S (3-Way)

YT-720D (5-Way)

Position Transmitter SPTM-5V

Design features

- **Convenient wiring: two wire type.**
- **High accuracy and reliability.** Stable output and repeatability.
- **Simple change for RA v.s. DA action setting.**
- **Smart setting.** Easy setting of zero and span by pressing the buttons (two or five points setup).



SPTM-5V



Product Code

SPTM-5V - L - N - 1 - 0

Item Type	SPTM-5VL	SPTM-5VR
Input Type	2 Wire	
Input Stroke	10 to 150 mm	55 to 100 °
Output Signal	4 to 20 mA DC	
Load Resistance	$R_L \leq \frac{V_s[v] - 9[v]}{I [mA]}$	
Supply Voltage	9 to 28 VDC	
Conduit	G 1/2	
Operating Temp.	-40 to +85 °C (-40 to +185 °F)	
Linearity	±1% F.S.	
Hysteresis	±0.2% F.S.	
Sensitivity	±0.2% F.S.	
Ingress Protection	IP67	
Material	Aluminium Diecasting	
Weight	0.6 kg (1.3 lb)	

Model
SPTM-5V

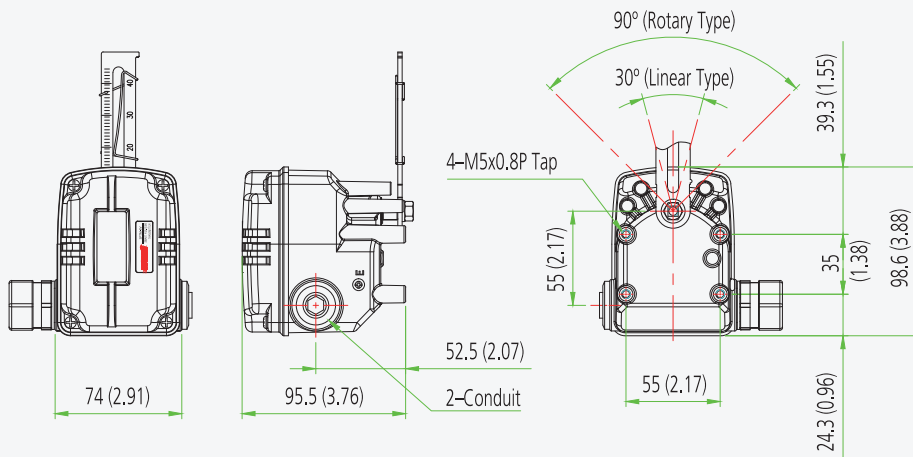
Motion Type
L = Linear
R = Rotary

Explosion Protection
N = Non-explosion
Z = NEPSI
E = EAC

Lever Type
Linear
1 = 10 to 40 mm
2 = 20 to 70 mm
3 = 50 to 100 mm
4 = 100 to 150 mm
Rotary
1 = Standard Lever
2 = NAMUR

Option
0 = None
1 = With LCD

Dimensions: mm (Inches *)



Position Transmitters SPTM-6V / SPTM-65V

Design features

- **Loop powered two wire type.**
- **High accuracy and reliability.** Stable output and repeatability.
- **Reverse or direct acting.** Easy to configure options.
- **Smart setting.** Easy setting of zero and span by pressing the buttons (two or five points setup).



SPTM-6V



SPTM-65V



Item Type	SPTM-6V	SPTM-65V
Connection Type	2 Wire	
Input Stroke	Linear	10 to 150 mm
	Rotary	55 to 100 °
Output Signal	4 to 20 mA DC	
Load Resistance	$R_{L \leq} \frac{V_s[v] - 9[v]}{I [mA]}$	
Supply Voltage	9 to 28 VDC	
Conduit	G 1/2	
Operating Temp.	Operating	-40 to +85 °C (-40 to +185 °F)
	Explosion	KCs, NEPSI: -40 to 60 °C, EAC: -60 to 60 °C
Linearity	±1% F.S.	
Hysteresis	±0.2% F.S.	
Sensitivity	±0.2% F.S.	
Explosion Protection Type	Ex d IIC T6	
Ingress Protection	IP67	
Material	Aluminium Diecasting	Stainless Steel 316
Weight	1.3 kg (2.9 lb)	2.8 kg (6.17 lb)

Product Code

SPTM-6V - L - C - 1

Model

SPTM-6V = Flameproof Aluminium
SPTM-65V = Flameproof Stainless Steel

Motion Type

L = Linear
R = Rotary

Explosion Protection

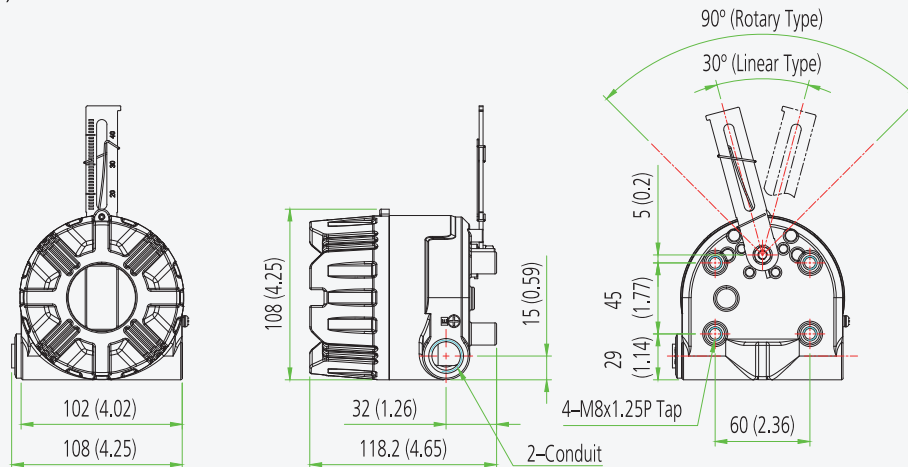
E = 1Exd IIC T6 Gb (EAC)
C = Ex d IIC T6 (KCs)
Z = Ex d IIC T6 Gb (NEPSI)

Lever Type

Linear
1 = 10 to 40 mm
2 = 20 to 70 mm
3 = 50 to 100 mm
4 = 100 to 150 mm

Rotary
1 = Standard Lever
2 = NAMUR

Dimensions: mm (Inches *)



Limit Switch Box YT-850

Design features

- **Visual position indicator.** 360° viewing angle.
- **Multiple output signals.** Eight contacts of terminal ports.
- **Universal compatibility.** Suitable for any rotary motion actuator <IS05211>.
- **Easy configuration.** Simple adjustment of cam position.
- **Dual conduit entries.** Separate connections for power and signal cables.



YT-850



Item Type		YT-850M	YT-850P
Switch Type		Mechanical Switch (2xSPDT) SS5GL (Omron)	Inductive Proximity Sensor PSN17-5DNU (Autonics, NPN type)
Switch Rating	AC	250 V 3 A 125 V 5 A	-
	DC	250 V 0.2 A, 125 V 0.4 A, 30 V 4 A, 14 V 5 A, 8 V 5 A	12 - 24 VDC
Ingress Protection		IP67	
Operating Temp.		-25 to +70 °C (-13 to +158 °F)	
Conduit Entry		1/2 NPT, G1/2, M20x1.5P	
Terminal		8 Points	
Mounting Bracket		NAMUR VDI / VDE 3845, ISO 5211	
Material		Aluminium Diecasting	
Weight		880 g (1.94 lb)	

Product Code

YT-850 - M - 1 - 0

Model

YT-850 = Weatherproof Aluminium

Switching Type

M = Mechanical Switch (2xSPDT)
P = Inductive Proximity Type

Conduit

1 = 1/2 NPT
3 = G 1/4
4 = M20x1.5P

Bracket Type

0 = None
1 = ST-1 (30 x 80, H20)
2 = ST-2 (30 x 80, H30)
3 = ST-3 (30 x 130, H30)
4 = ST-4 (30 x 130, H50)

Dimensions: mm (Inches *)

