

AH Series Plate-Fin Hydraulic Aluminum Oil Coolers

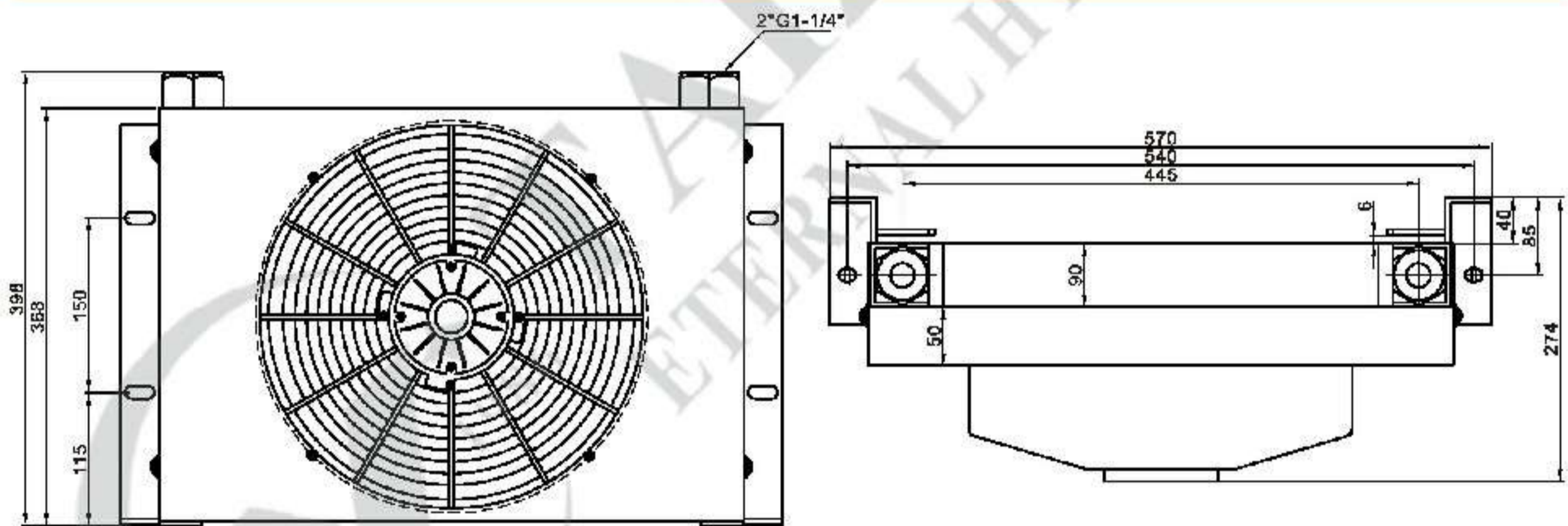
Specifications

AH/AJ1490T-DC-250L

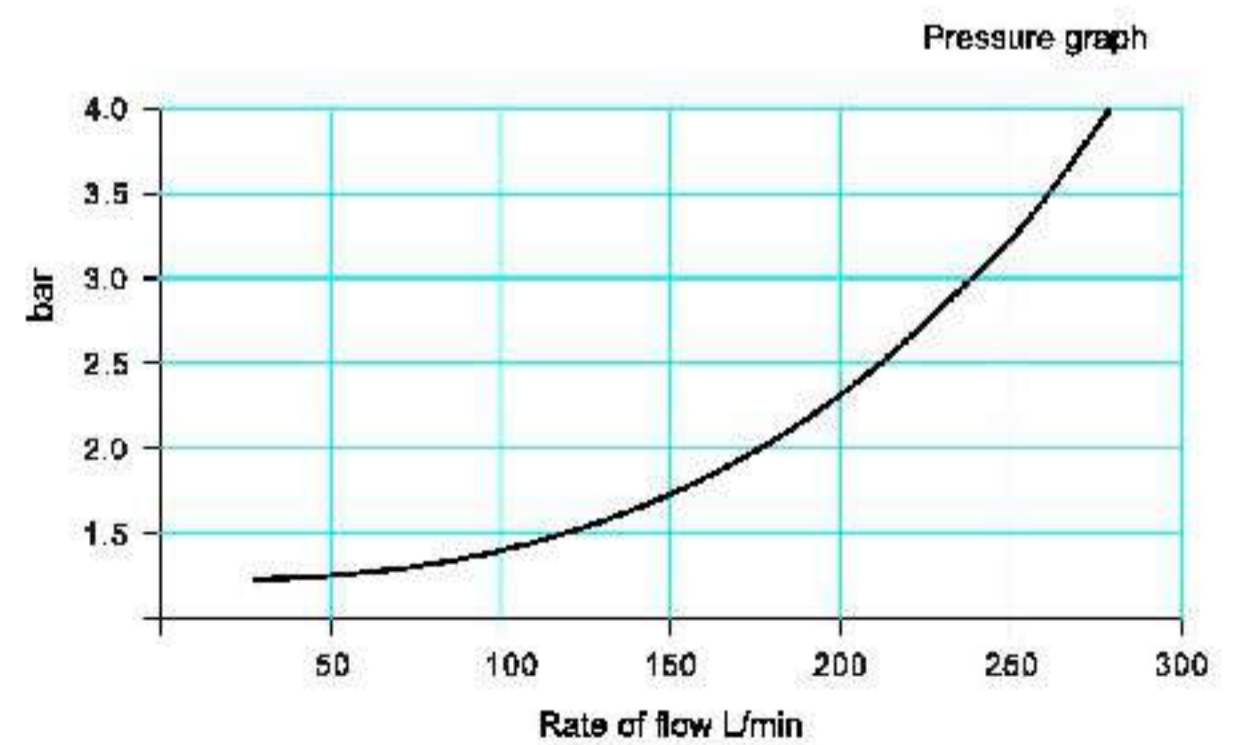
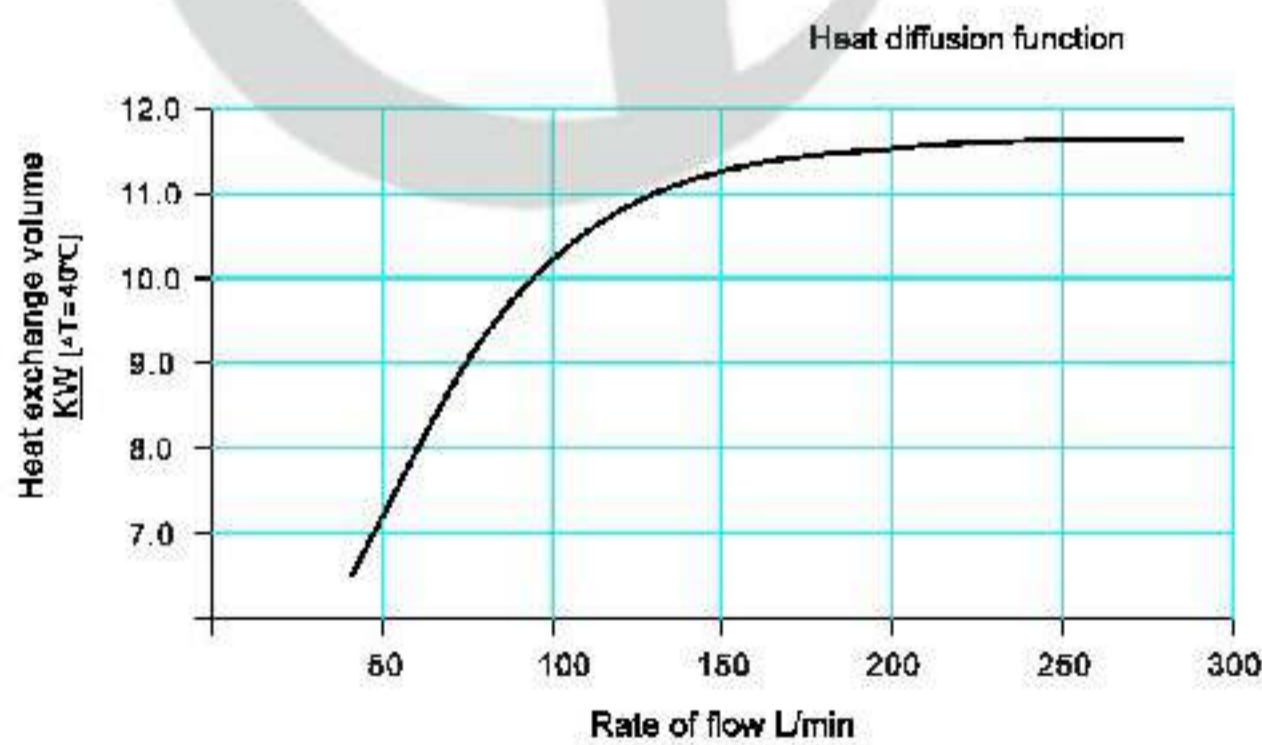


Model	AH/AJ1490T-CA	Cooling Capacity	11.5KW
Rate of flow	250L/min	Weight	29KG
Working pressure	≤2MPa	Packing size	58*45*38CM
Fan power	216W	Fan voltage	DC12V/DC24V
Exterior cooling area	10.5M ²	Special voltage & size can be customized	

Dimensions



Performance Curves



AH Series Plate-Fin Hydraulic Aluminum Oil Coolers

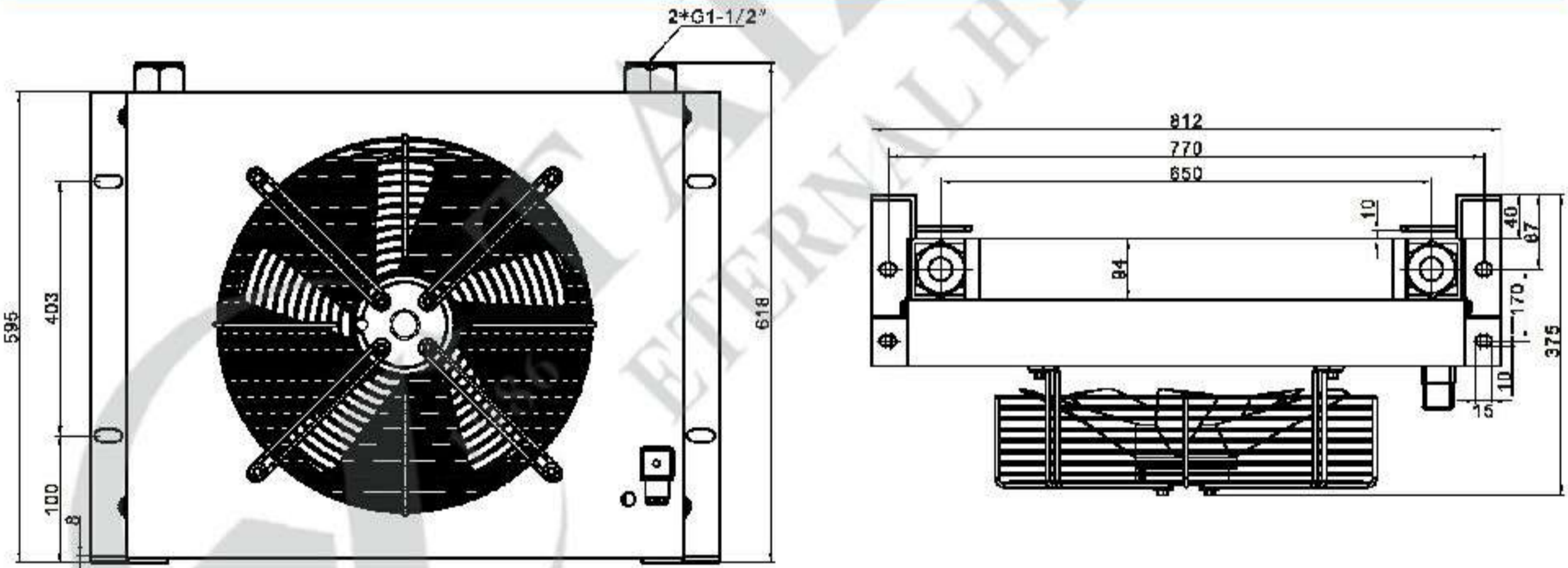
Specifications

AH1680T-CA-300L

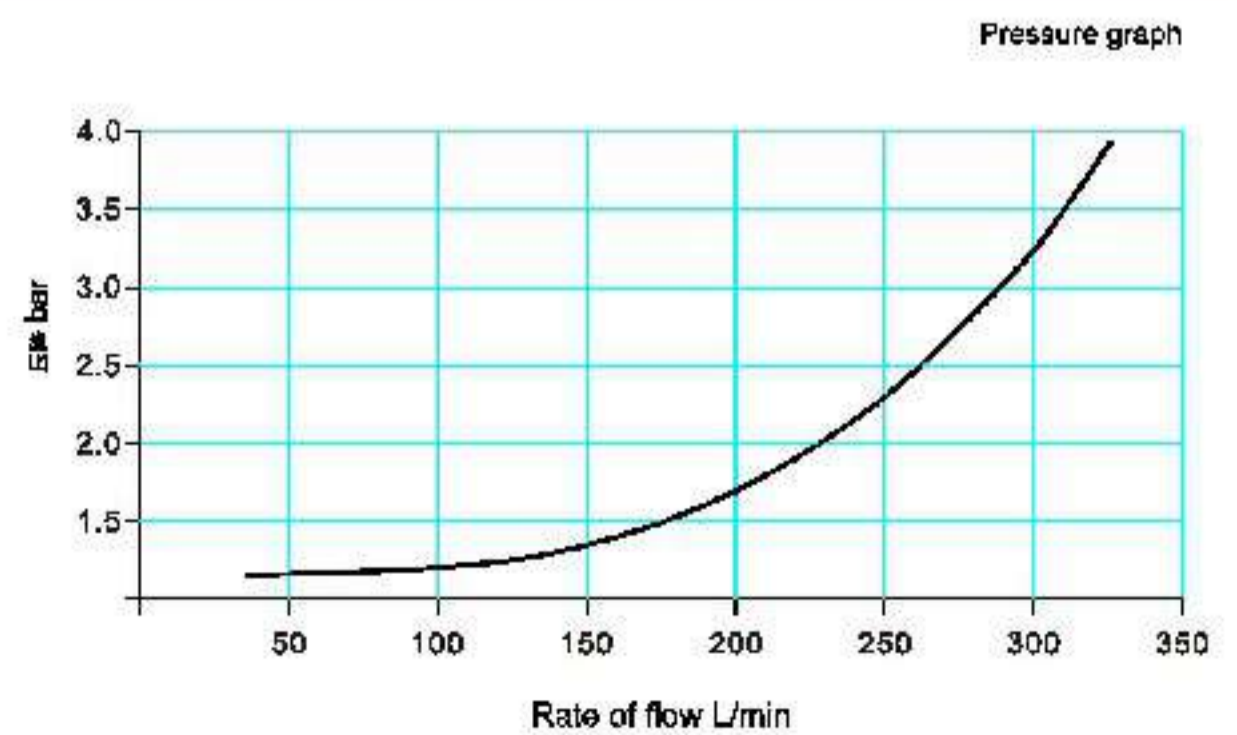
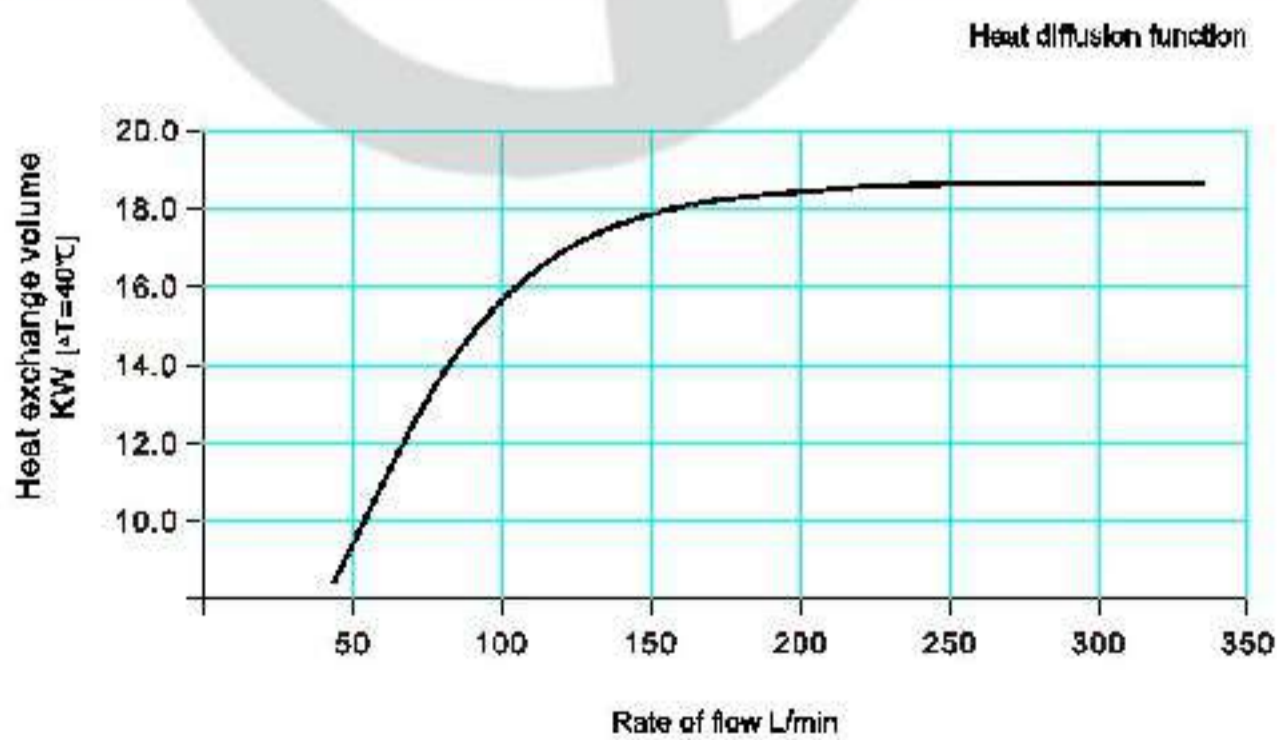


Model	AH1680T-CA	Cooling Capacity	19KW
Rate of flow	300L/min	Weight	55KG
Working pressure	≤2MPa	Packing size	85*66*42CM
Fan power	423W/448W	Fan voltage	AC220V-240V/AC380V/DC12V/ DC24V/50HZ
Exterior cooling area	14M ²	Special voltage & size can be customized	

Dimensions



Performance Curves



AH Series Plate-Fin Hydraulic Aluminum Oil Coolers

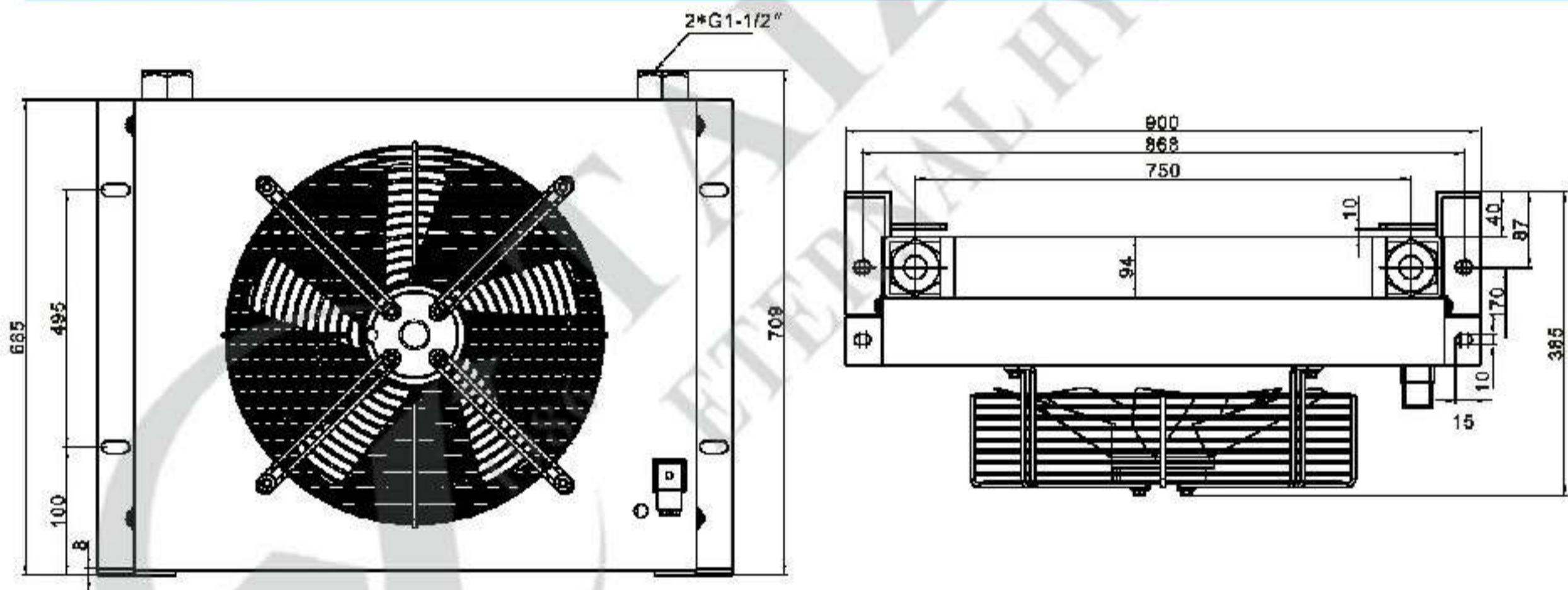
Specifications

AH2431T-CA-450L

Model	AH2431T-CA	Cooling Capacity	34KW
Rate of flow	450L/min	Weight	73KG
Working pressure	≤2MPa	Packing size	95*75*43CM
Fan power	836W	Fan voltage	AC380V/50HZ
Exterior cooling area	33.2M ²	Special voltage & size can be customized	

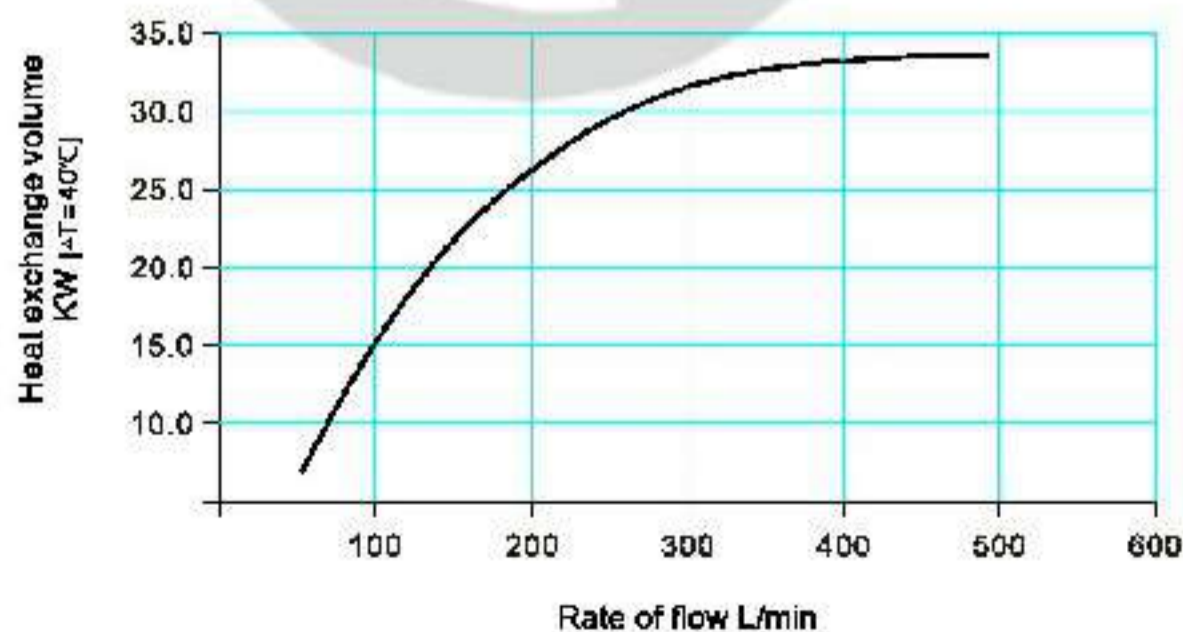


Dimensions

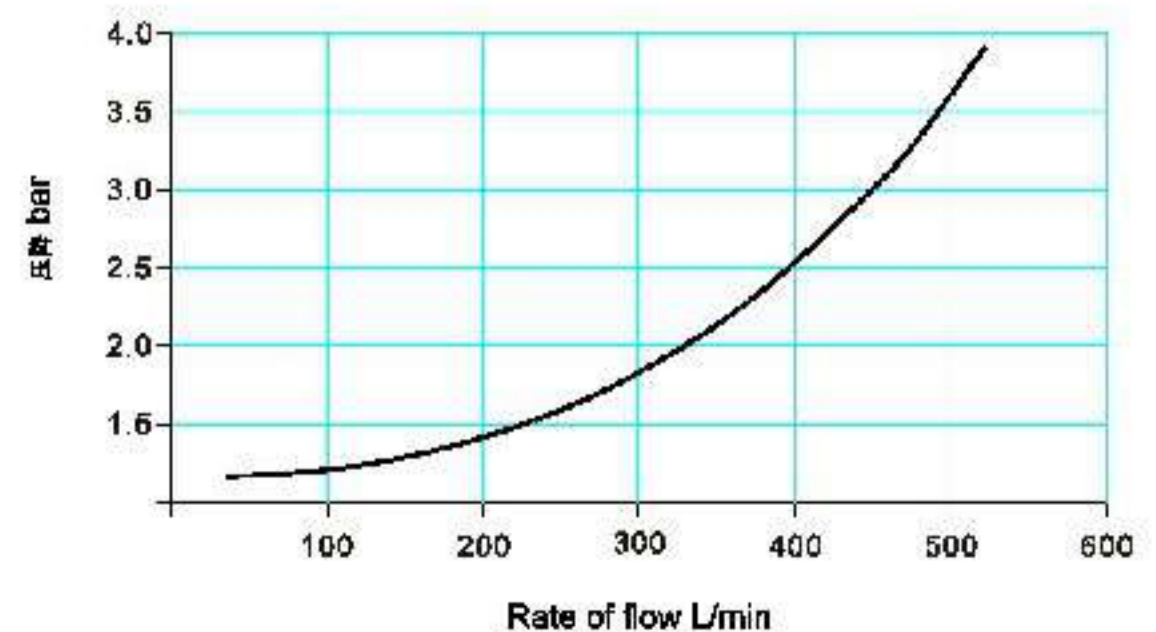


Performance Curves

Heat diffusion function



Pressure graph



AH Series Plate-Fin Hydraulic Aluminum Oil Coolers

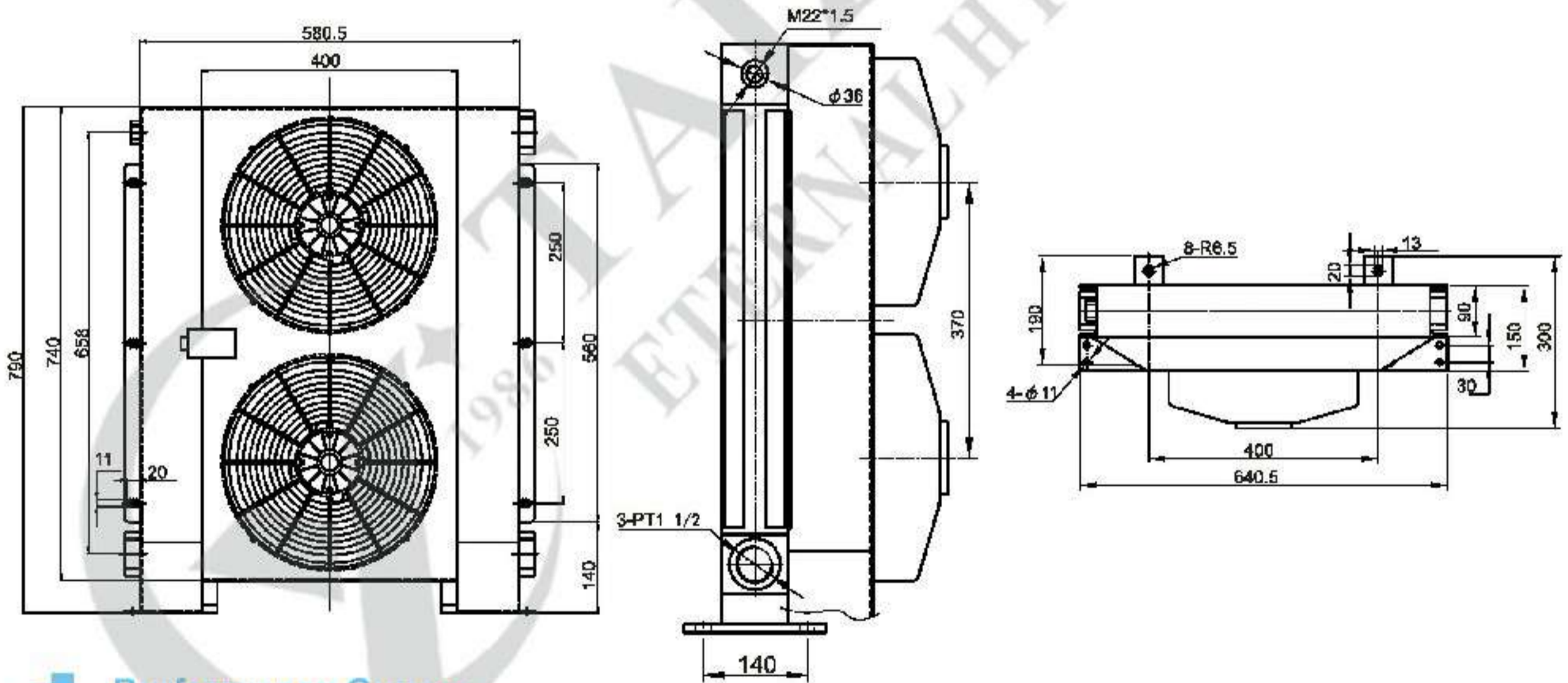
Specifications

AH1890T-CA-250L

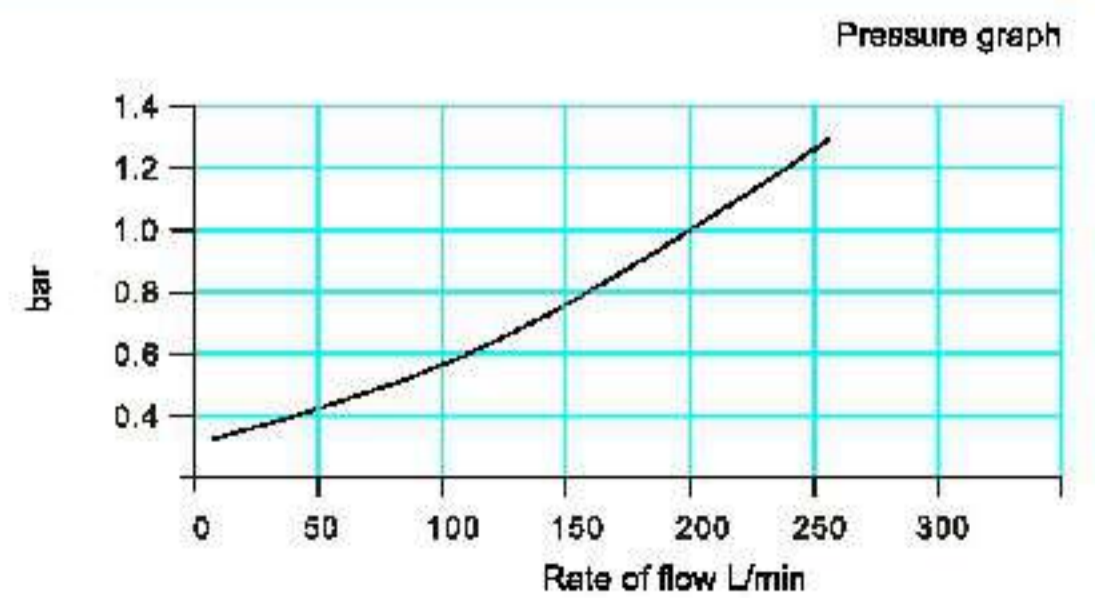


Model	AH1890T-CA	Cooling Capacity	26KW
Rate of flow	250L/min	Weight	
Working pressure	≤2MPa	Packing size	85*68*35CM
Fan power	2*150W	Fan voltage	AC220V/AC380V/50HZ
Exterior cooling area	15.6M ²	Special voltage & size can be customized	

Dimensions



Performance Curves



SQ Series Plate-Fin Hydraulic Aluminum Oil Coolers

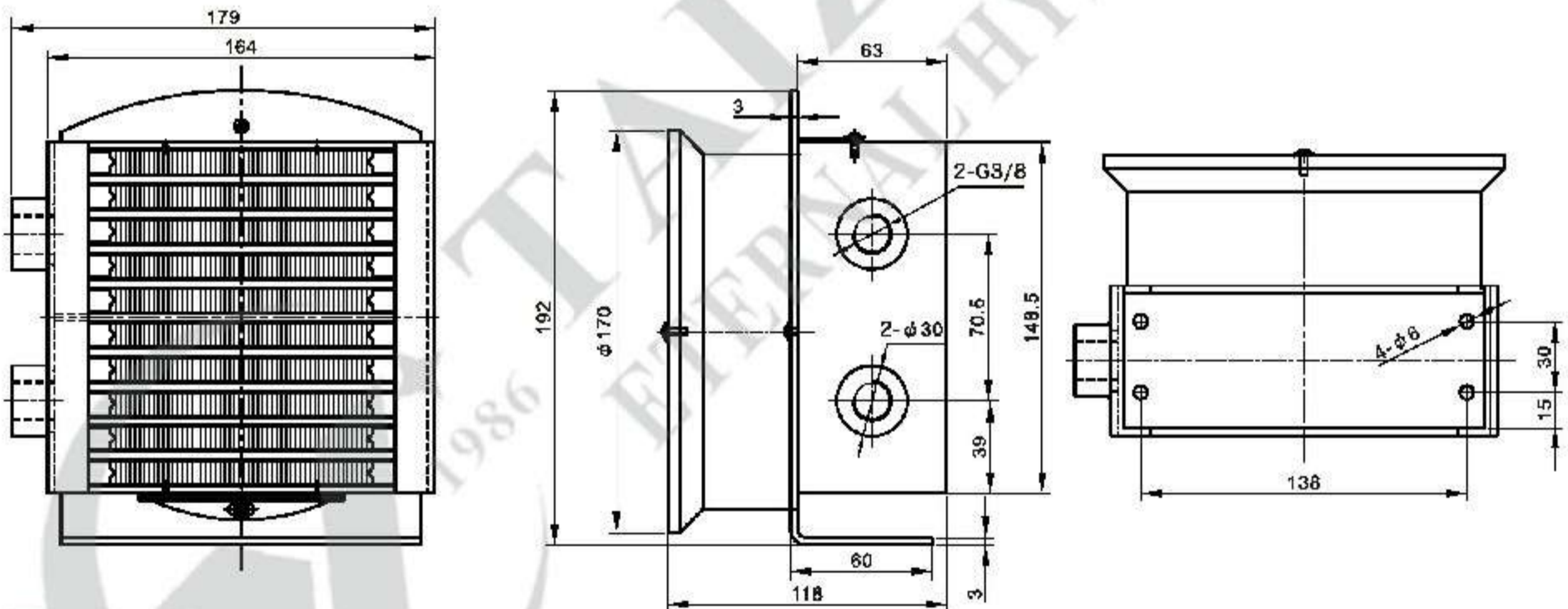
Specifications

SQ1015T-CA-20L

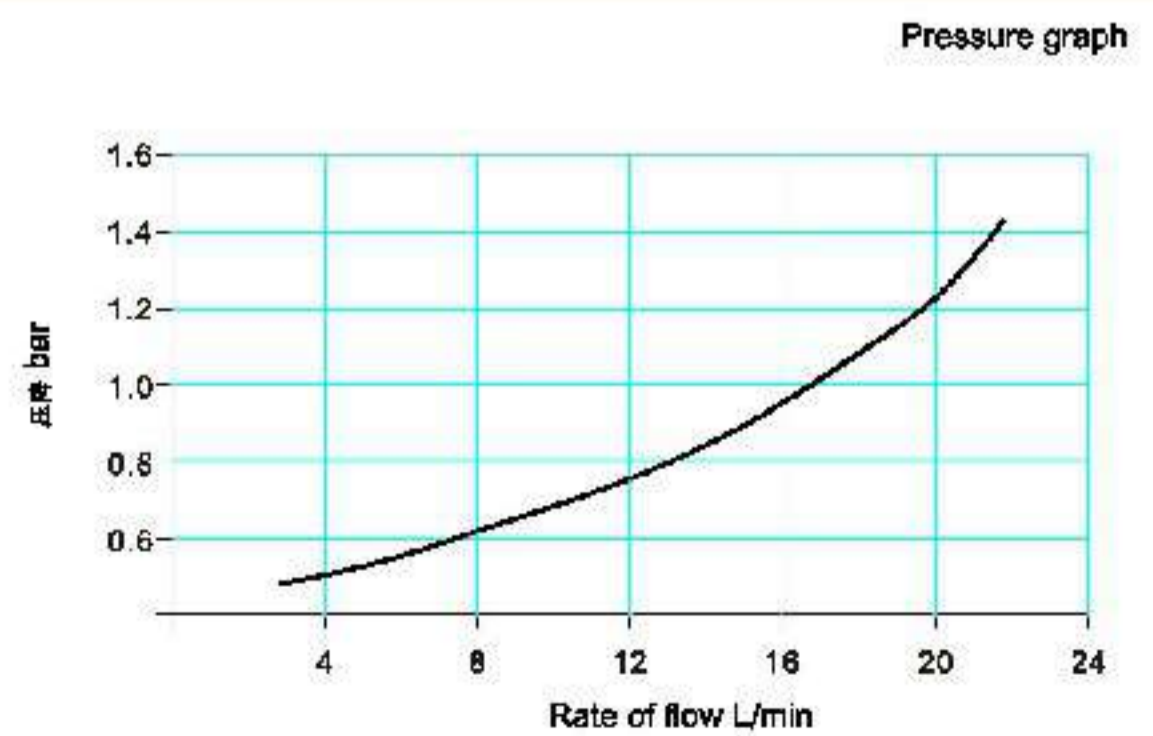
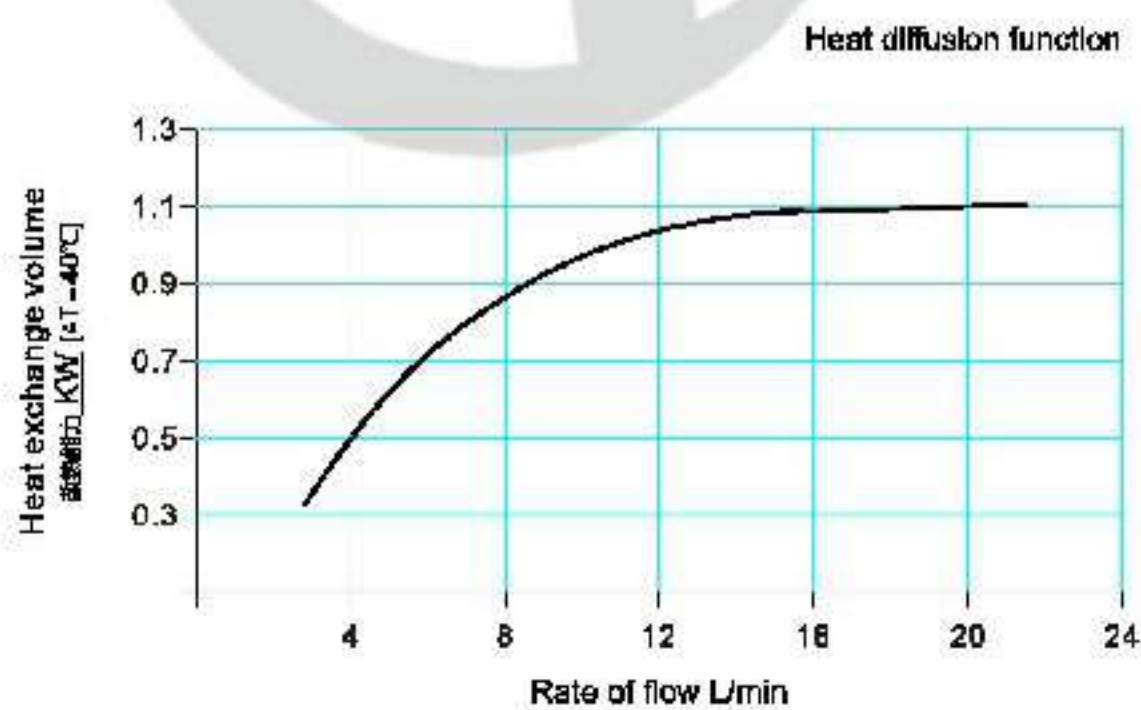
Model	SQ1015T-CA	Cooling Capacity	1.2KW
Rate of flow	20L/min	Weight	3.5KG
Working pressure	≤2MPa	Packing size	21*20.5*15CM
Fan power	34W	Fan voltage	AC110V/AC220V-240V/AC380V/ DC12V/DC24V/50HZ
Exterior cooling area	0.6M ²	Special voltage & size can be customized	



Dimensions



Performance Curves



ECO Series Plate-Fin Hydraulic Aluminum Oil Coolers

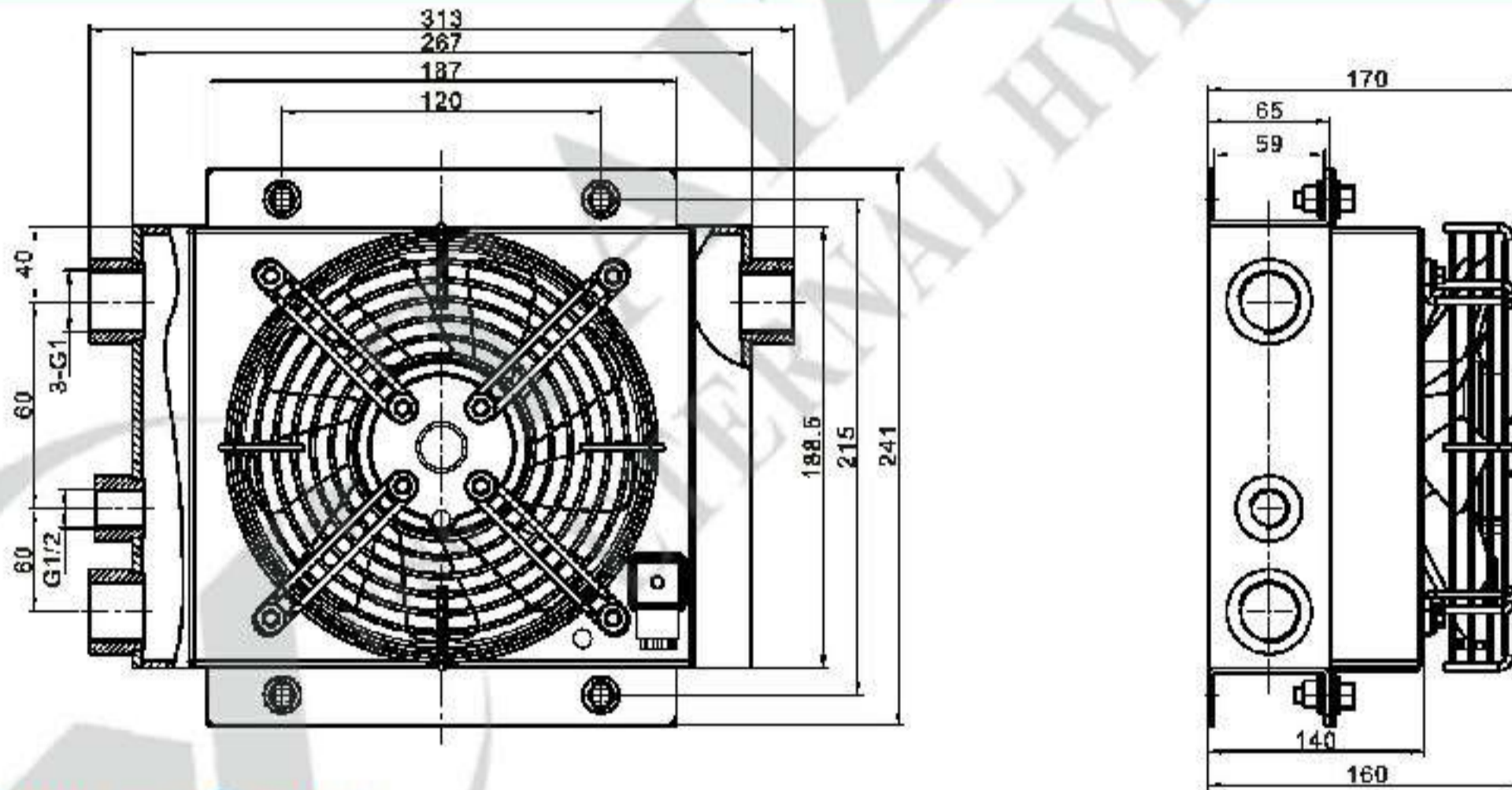
Specifications

ECO-04-80L



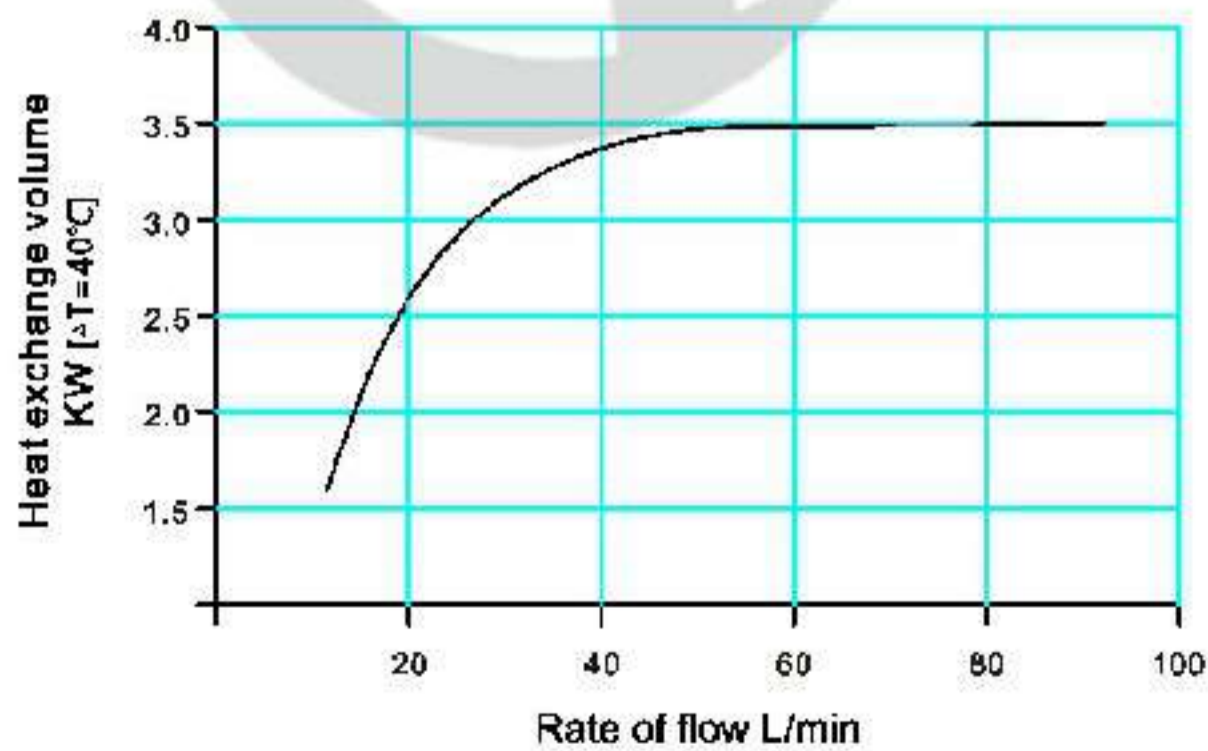
Model	ECO-04	Cooling Capacity	3.5KW
Rate of flow	80L/min	Weight	7KG
Working pressure	≤2MPa	Packing size	35*28*19CM
Fan power	100W	Fan voltage	DC12V/DC24V/50HZ Special voltage & size can be customized
Exterior cooling area	1.1M ²	Thermostat	Operational Temperature 50°C (Tolerance ±3°C)

Dimensions



Performance Curves

Heat diffusion function



Pressure graph

