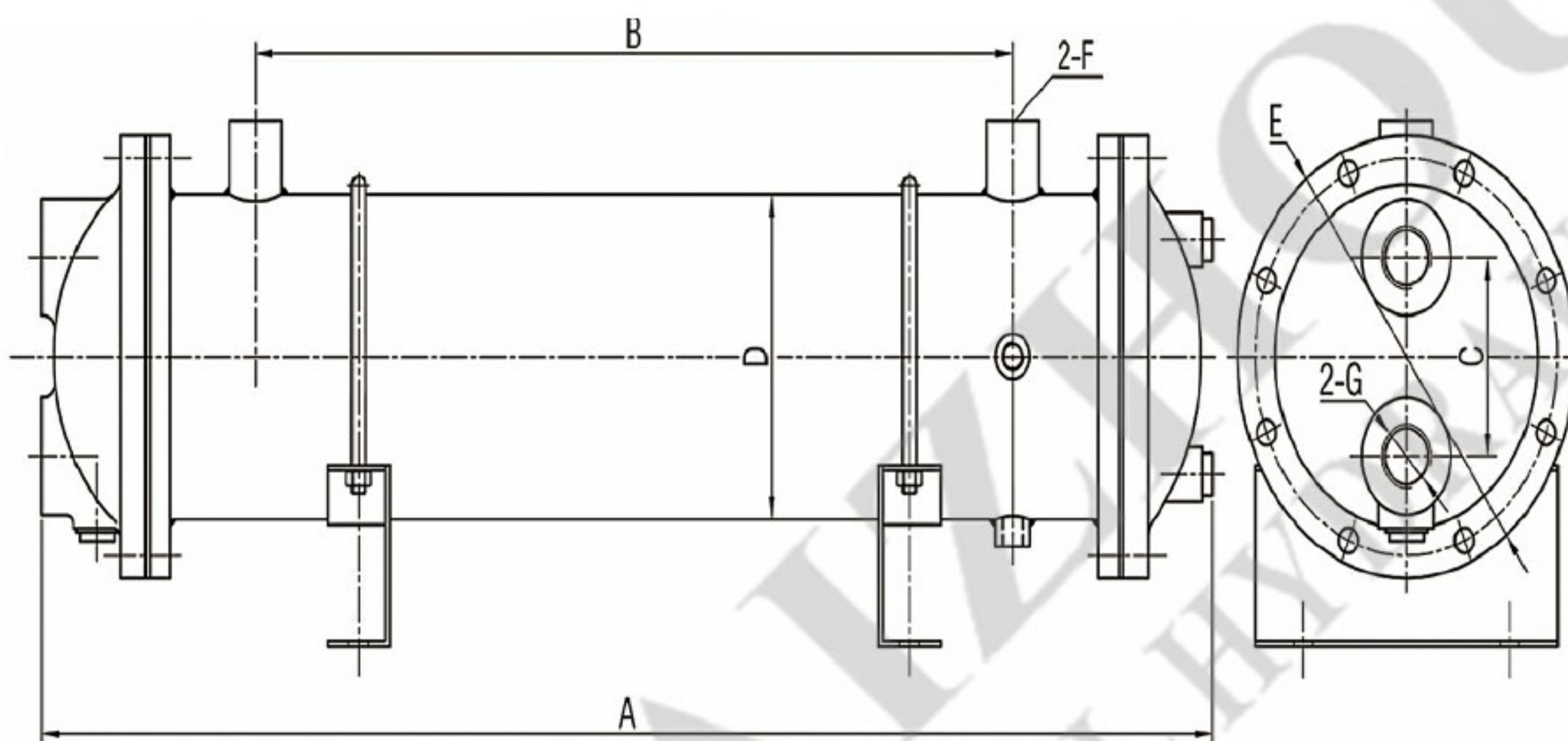


■ OR系列水冷却器结构图 OR Series Water Cooler



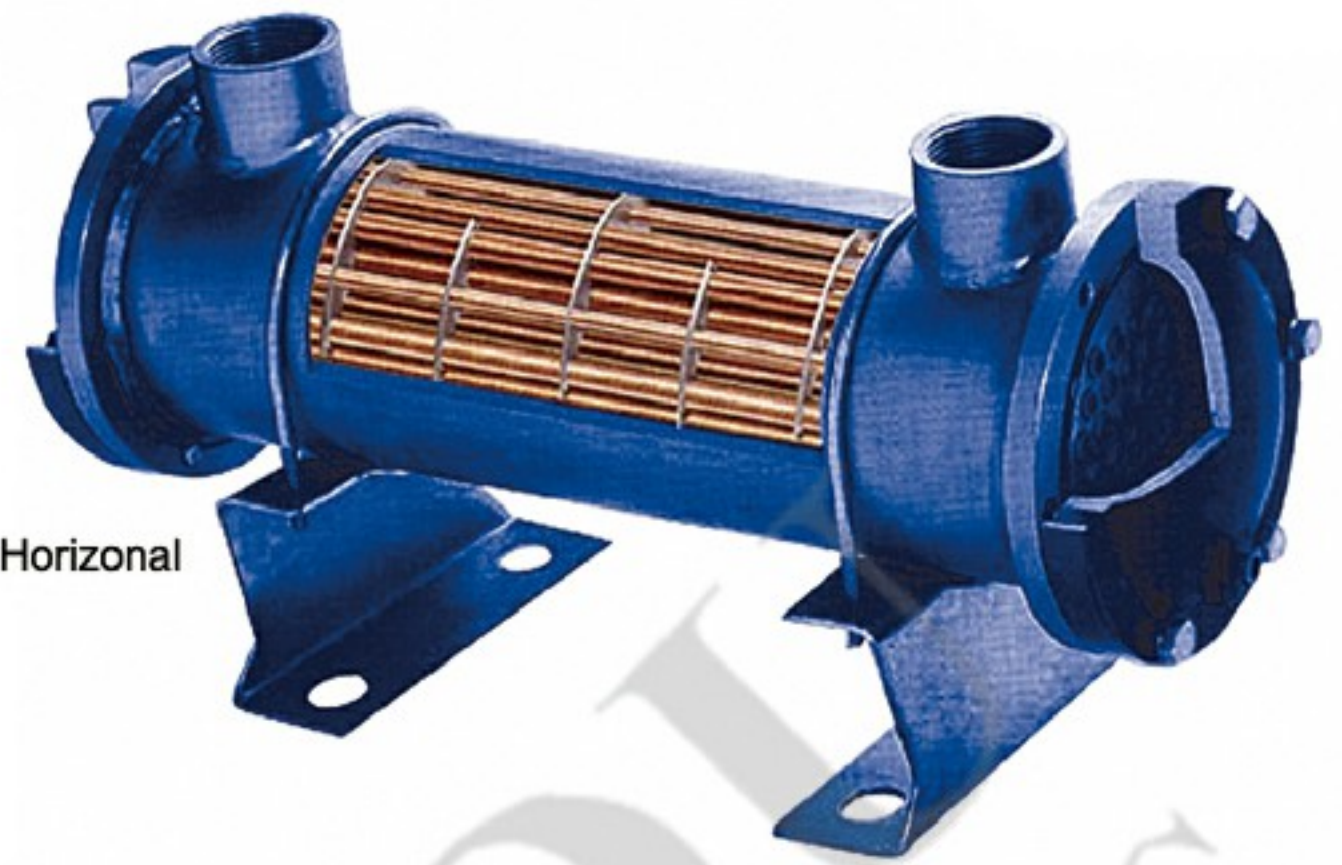
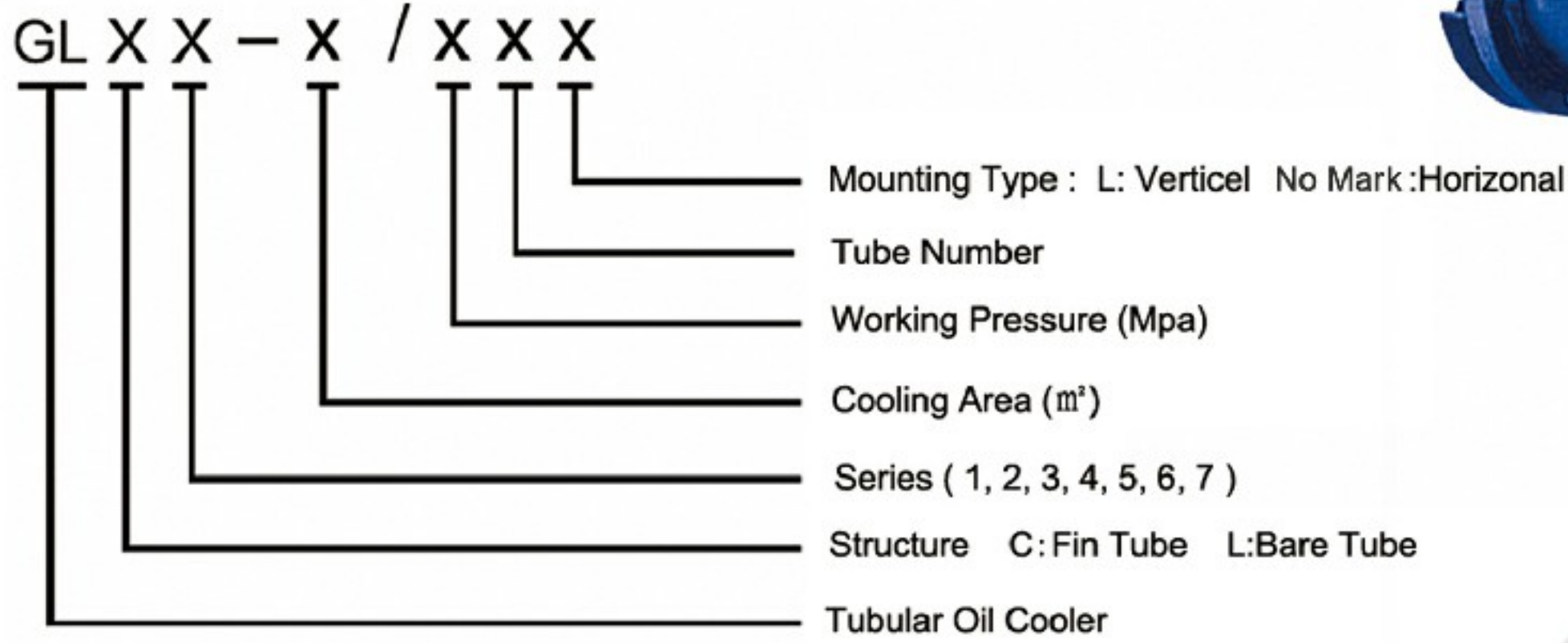
■ OR系列产品规格和外形尺寸 OR Water Cooler Specifications And Dimensions

Model	A	B	C	D	E	F	G	Cooling Area m <sup>2</sup>	Tank Capacity	Weight	Pump Flow	Water Flow
OR-60	450	305	40	89.1	120	3/4	3/4	0.24	60	8	100	50
OR-100	555	370	55	114.3	140	3/4	3/4	0.35	100	12	200	100
OR-150	575	385	65	139.8	170	1 1/4	1	0.6	150	17	300	150
OR-250	780	585	65	139.8	170	1 1/4	1	1.2	250	22	300	150
OR-350	1180	990	65	139.8	170	1 1/4	1	1.9	350	30	300	150
OR-600	1175	950	85	165.2	196	2	1 1/4	1.9	600	35	400	200
OR-800	1700	1490	85	165.2	196	2	1 1/4	2.8	800	43	400	200
OR-1000	2140	1890	85	165.2	196	2	1 1/4	3.5	1000	51	400	200
OR-1200	2530	2270	85	165.2	196	2	1 1/4	4.2	1200	58	400	200

Special Products: Customized

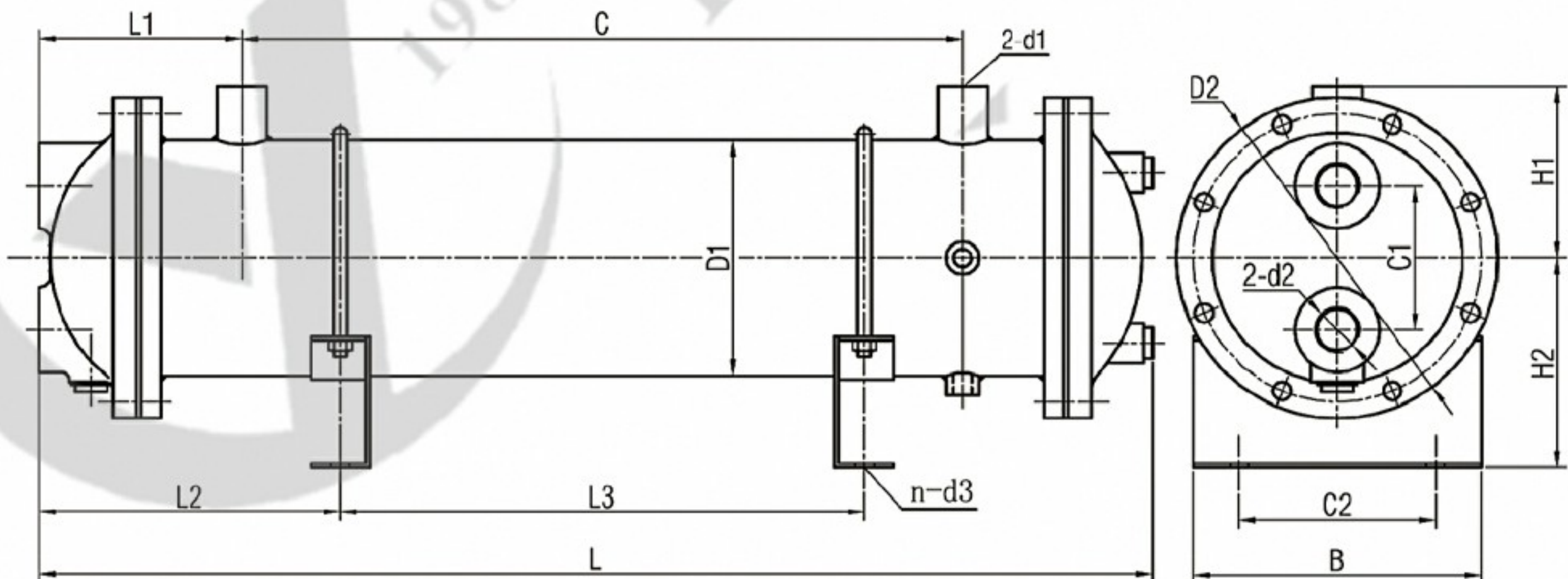


■ GLC型号说明 GLC Model Code



Model	Spec	Cooling Area m <sup>2</sup>	Working Pressure Mpa	Working Temperature C°	Pressure Drop		Oil-Water Flow Ratio	Viscosity	Heat Trasfer Coefficient W/m <sup>2</sup> · k
					Oil	Water			
GLC1		0.4-1.2	0.63 1.0	≤120	≤0.1	≤0.05	1:1	200-300	≤350
GLC2		1.3-3.5							
GLC3		4-11							
GLC4		13-27							
GLC5		30-54							
GLC6		55-90							
GLL6		3-7	0.63 1.0		≤120	≤0.1	≤0.05	1:1.5	≤300
GLL7		8-11							
GLL8		12-28							
GLL9		35-60							
GLL10		80-120							
GLL11		140-180							
GLL12		200-300							

■ GLC系列水冷却器结构图 GLC Water Cooler Dimension





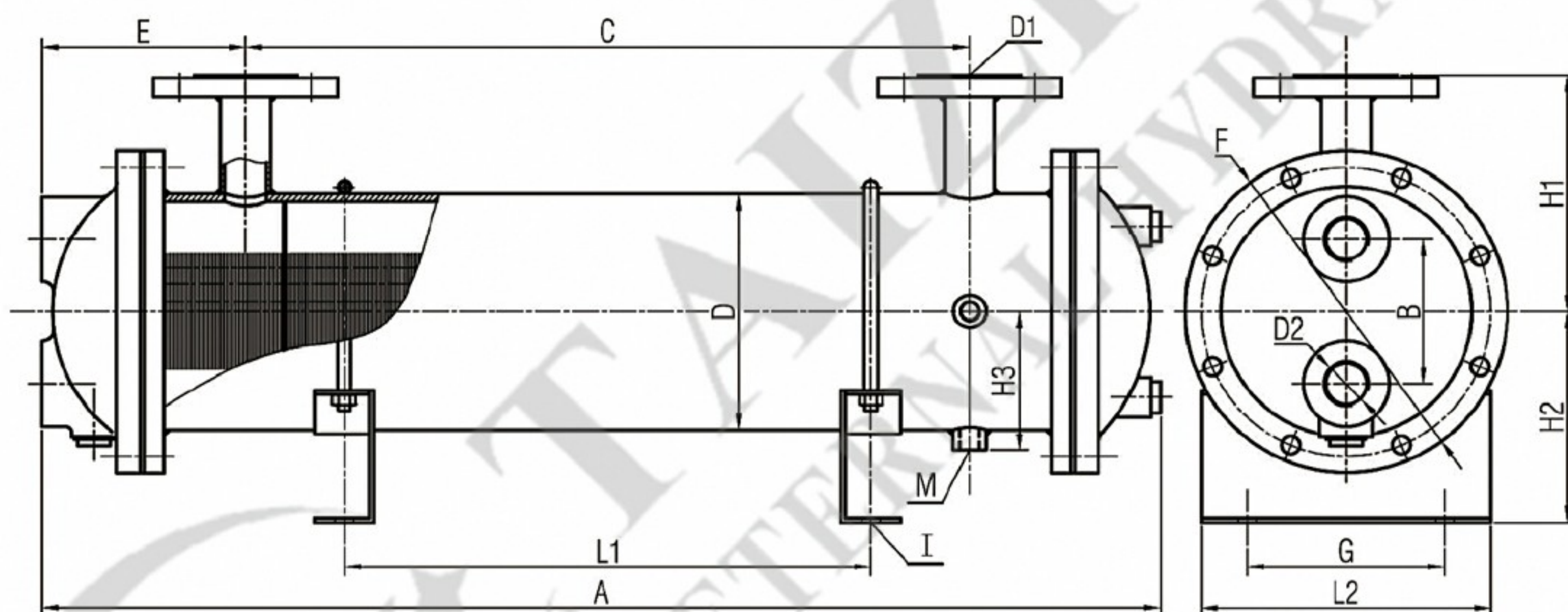
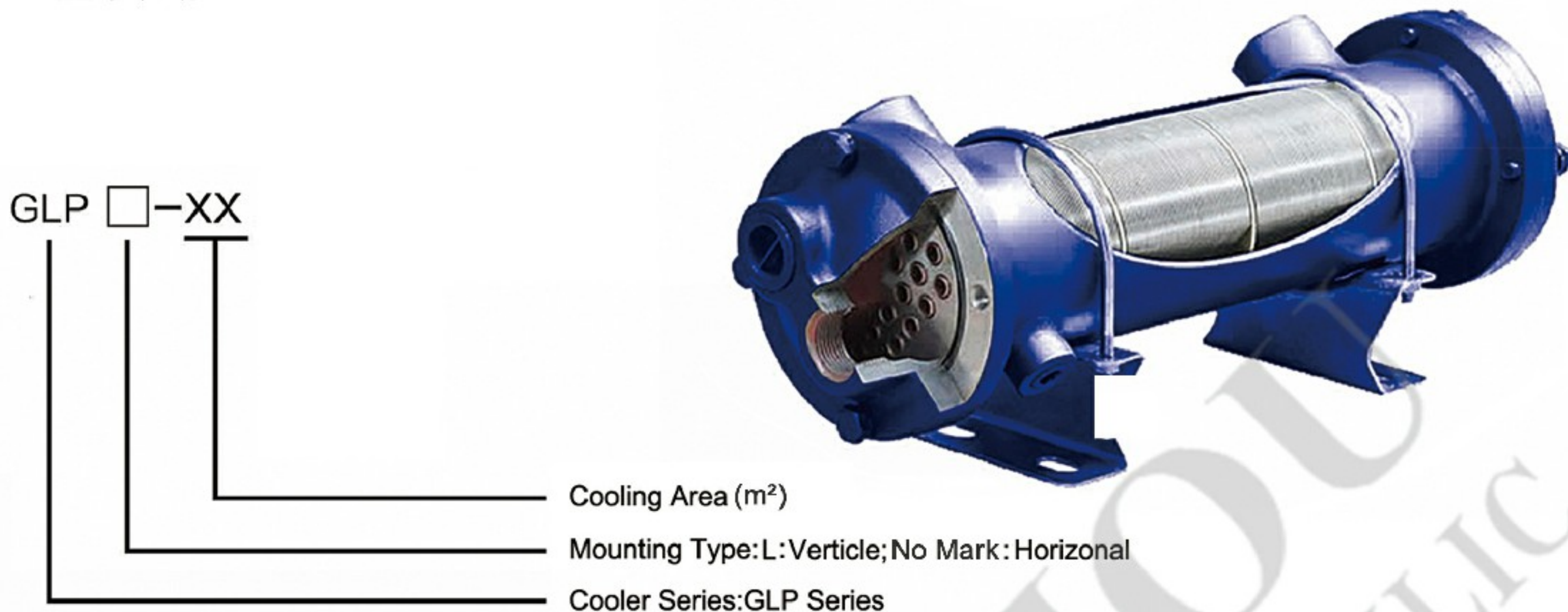
■ GLC系列产品规格和外形尺寸 GLC Water Cooler Specifications And Dimensions

Model	L	C	L <sub>1</sub>	H <sub>1</sub>	H <sub>2</sub>	D <sub>1</sub>	D <sub>2</sub>	C <sub>1</sub>	C <sub>2</sub>	B	L <sub>2</sub>	L <sub>3</sub>	n-d <sub>3</sub>	d <sub>1</sub>	d <sub>2</sub>	Weight (kg)										
GLC <sub>1</sub> -0.4	370	240	67	60	68	78	115	52	102	132	115	145	4-(ø11)	G1" (Dg25)	G3/4" (Dg20)	8										
GLC <sub>1</sub> -0.6	540	405										10														
GLC <sub>1</sub> -0.8	660	532										12														
GLC <sub>1</sub> -1	810	665										13														
GLC <sub>1</sub> -1.2	940	805										15														
GLC <sub>2</sub> -1.3	560	375	98	85	93	121	165	78	145	175	172	225	4-(ø11)	G1" (Dg25)	G1" (Dg25)	19										
GLC <sub>2</sub> -1.7	690	500										21														
GLC <sub>2</sub> -2.1	820	635										25														
GLC <sub>2</sub> -2.6	960	775										29														
GLC <sub>2</sub> -3	1110	925										32														
GLC <sub>2</sub> -3.5	1270	1085										36														
GLC <sub>3</sub> -4	840	570	152	125	158	168	215	110	170	210	245	380	4-(ø15)	G1 1/2" (Dg36)	G1 1/4" (Dg30)	74										
GLC <sub>3</sub> -5	990	720										77														
GLC <sub>3</sub> -6	1140	870										85														
GLC <sub>3</sub> -7	1310	1040										90														
GLC <sub>3</sub> -8	1470	1200										96														
GLC <sub>3</sub> -9	1630	1360										105														
GLC <sub>3</sub> -10	1800	1530										110														
GLC <sub>3</sub> -11	1980	1710										118														
GLC <sub>4</sub> -13	1340	985										197		160	208	219	285	140	270	320	318	745	4-(ø19)	G2" (Dg50)	G2" (Dg50)	152
GLC <sub>4</sub> -15	1500	1145																				164				
GLC <sub>4</sub> -17	1660	1305	175																							
GLC <sub>4</sub> -19	1830	1475	188																							
GLC <sub>4</sub> -21	2010	1655	200																							
GLC <sub>4</sub> -23	2180	1825	213																							
GLC <sub>4</sub> -25	2360	2005	225																							
GLC <sub>4</sub> -27	2530	2175	238																							
GLC <sub>5</sub> -30	1932	1570	202	200	234	273	335	180	280	320	327	1320	4-(ø23)	G2 1/2" (Dg60)	G2" (Dg50)											
GLC <sub>5</sub> -34	2152	1790										1540														
GLC <sub>5</sub> -37	2322	1960										1710														
GLC <sub>5</sub> -41	2542	2180										1930														
GLC <sub>5</sub> -44	2712	2350										2100														
GLC <sub>5</sub> -48	2872	2510										2260														
GLC <sub>5</sub> -51	3092	2730										2480														
GLC <sub>5</sub> -54	3262	2900										2650														
GLC <sub>6</sub> -55	2272	1860	227	230	284	325	410	200	300	390	362	1590	4-(ø23)	G3" (Dg70)	G2 1/2" (Dg60)											
GLC <sub>6</sub> -60	2452	2040										1170														
GLC <sub>6</sub> -65	2632	2220										1950														
GLC <sub>6</sub> -70	2812	2400										2130														
GLC <sub>6</sub> -75	2992	2580										2310														
GLC <sub>6</sub> -80	3172	2760										2490														
GLC <sub>6</sub> -85	3352	2940										2670														
GLC <sub>6</sub> -90	3532	3120										2850														

Special Products:Customizes



■ GLP型号说明 GLP Model Code



■ GLP系列水冷却器结构图 GLP Water Cooler Specifications And Dimensions

Model	A	B	C	D	E	F	G	D1	D2	L1	L2	H1	H2	H3	M	I
GLP-0.4	370	38	240	76	75	105	70	G1"	G1/2"	145	100	60	68	50	5-G1/4"	4-Φ12
GLP-0.6	540		405							310						
GLP-0.8	660		532							435						
GLP-1.0	810		665							570						
GLP-1.2	940		805							715						
GLP-1.3	560	60	375	121	96	165	130	G1"	G1"	225	160	90	95	75	5-G1/4"	4-Φ12
GLP-1.7	685		500							350						
GLP-2.1	820		635							485						
GLP-2.6	960		775							630						
GLP-3.0	1090		905							760						
GLP-3A	930	110	645	168	145	215	105	DN25	G1"	545	205	154	155	100	5-G1/4"	4-Φ14



■ GLP系列产品规格和外形尺寸 GLP Water Cooler Specifications And Dimensions

Model	A	B	C	D	E	F	G	D1	D2	L1	L2	H1	H2	H3	M	I											
GLP-4	840	110	550	180	155	245	150	DN32	G1-1/2"	400	220	180	160	105	5-G1/4"	4-Φ14											
GLP-5	1020		730							580																	
GLP-6	1150		860							710																	
GLP-7	1340		1050					900																			
GLP-8	1490		1200					1050																			
GLP-9	1640		1350					1200																			
GLP-10	1850		1560					1350																			
GLP-11	1170	182	800	299	205	372	260	DN65	G2"	650	360	240	220	170	5-G1/2"	4-Φ18											
GLP-12	1240		870							720																	
GLP-13	1315		945							795																	
GLP-15	1370		1000							850																	
GLP-16	1470		1060							910																	
GLP-17	1535		1125							925																	
GLP-18	1600		1190							1040																	
GLP-19	1685		1275							1125																	
GLP-20	1750		1340							1190																	
GLP-21	1830		1420							1270																	
GLP-22	1905		1495							1345																	
GLP-23	1990		1580							1430																	
GLP-24	2055		1645							1495																	
GLP-25	2120		1710							1560																	
GLP-27	2285		1845							1695																	
GLP-28	2350		1910							1760																	
GLP-30	2500		2060							1910							DN80	G2-1/2"									
GLP-34	1740		230					1260	351	240							445	320	DN80	G2-1/2"	1110	420	280	245	195	5-G1/2"	4-Φ18
GLP-35	1780							1300													1150						
GLP-37	1855							1375													1225						
GLP-40	1970	1490		1340																							
GLP-41	2010	1530		1380																							
GLP-44	2125	1645		1495																							
GLP-45	2165	1685		1535																							
GLP-48	2280	1800		1650																							
GLP-50	2360	1880		1730																							
GLP-51	2390	1910		1760																							
GLP-54	2500	2020		1870																							
GLP-55	2540	2060		1910																							
GLP-60	2730	2250	2100																								
GLP-70	3000	235	2300	426	405	535	445	DN100	DN100	2000	505	330	330	233	7-G3/4"	4-Φ22											
GLP-80	3350		2650							2350																	
GLP-90	2760	258	2000	508	440	610	565	DN100	DN100	1700	610	358	375	278	7-G3/4"	4-Φ22											
GLP-100	3045		2280							1980																	
GLP-110	3215		2450							2150																	
GLP-120	3425		2660					2360																			
GLP-130	3679		2915					2615																			
GLP-140	3935		3170					2870																			
GLP-150	3095	285	2305	620	470	760	690	DN125	DN125	2005	760	480	480	335	7-G1"	4-Φ26											
GLP-160	3270		2480							2180																	
GLP-170	3450		2655							2355																	
GLP-180	3620		2830							2530																	
GLP-190	3800		3005							2705																	
GLP-200	3970		3180							2880																	

Special Products: Customized