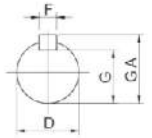
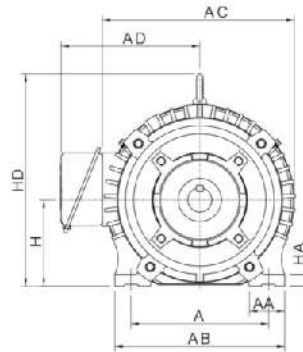
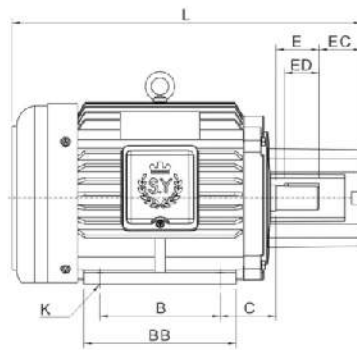




油壓臥式長嘴型馬達 **HSWG**

Hydraulic motor long coupling horizontal type



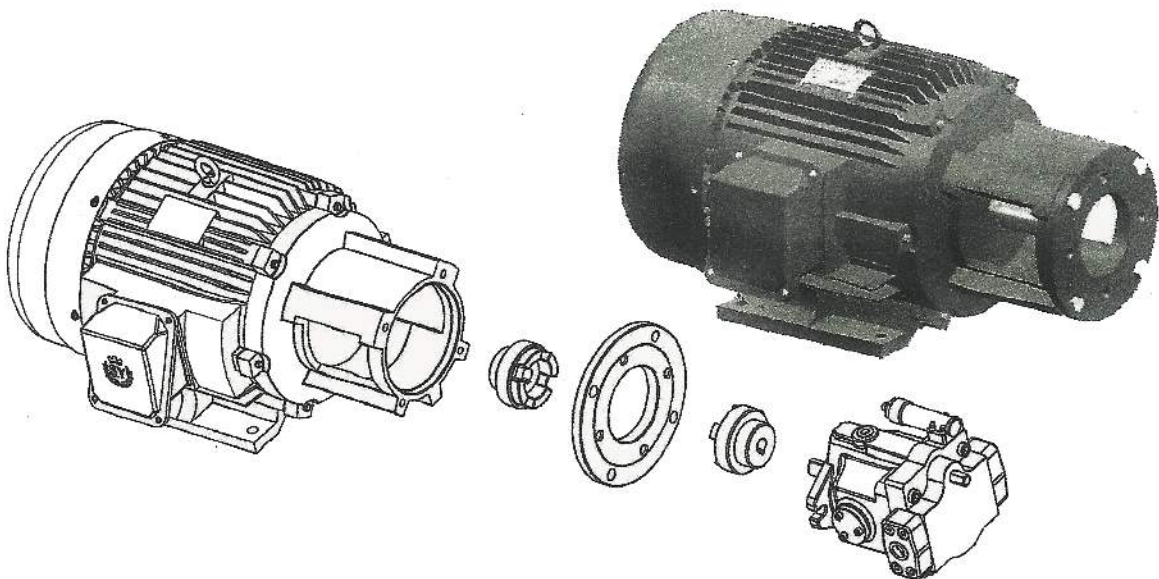
unit:mm

4P	6P	Frame	Phase	A	AA	AB	AC	AD	B	BB	C	H	HA	HD	K	L	axile dimension						kg	
																	D	E	EC	ED	F	G		GA
1	1/2	90S	3	125	35	155	175	135	100	130	45.5	80	10	170	10	300	19	30	41	30	6	15.5	21.5	14
2	1	90L	3	140	40	172	196	145	125	157	56	90	10	190	12	370	24	50	45	40	8	20	27	25
3	2	112S	3	190	47	227	235	169	140	175	50	112	12	265	12	370	28	44	48	40	8	24	31	35.5
5	3	112M	3	190	46	228	235	166	140	177	66	112	13	265	12	391	28	40	48	40	8	24	31	40
7.5	5	132S	3	216	50	259	271	191	140	175	74	132	14	310	12	455	38	52	62	50	10	33	41	65
10	7.5	132M	3	216	50	250	271	191	178	213	72	132	14	310	14	490	38	52	62	50	10	33	41	75
15	10	160M	3	254	50	300	345	256	210	250	101	160	18	375	15	625	42	60	72	55	12	37	45	125
20	15	160L	3	254	50	300	345	256	254	300	101	160	18	375	15	670	42	60	72	55	12	37	45	145
25 30	20	180M	3	279	80	355	389	290	241	297	131	180	20	417	14.5	728	48	70	90	50	14	42.5	51.5	185/230
40	25 30	180L	3	279	80	355	389	290	279	335	131	180	20	417	14.5	766	55	70	90	50	16	49	59	255



長咀型馬達型安裝實體圖 **HSWG**

Assembly drawing





油壓立式長嘴型馬達 **HSLG**

Hydraulic motor long coupling vertical type

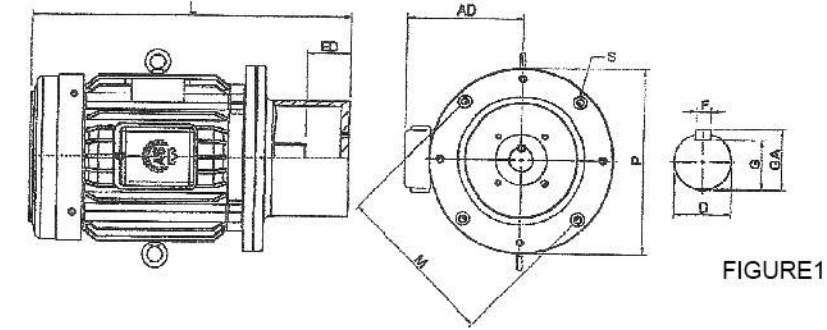


FIGURE1

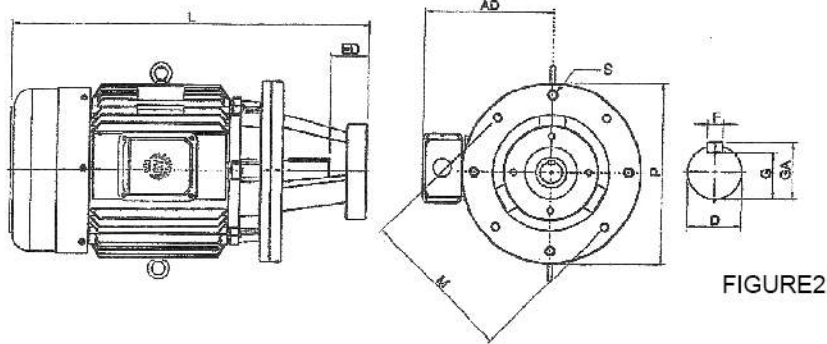


FIGURE2

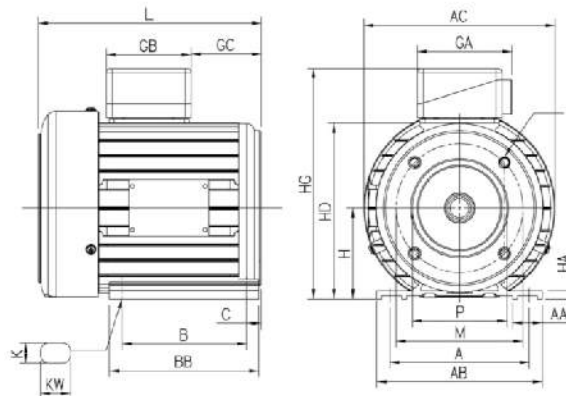
unit:mm

4P	4P	Phase	Drawings	AD	M	P	S	L	axile dimension					kg
									D	ED	F	G	GA	
7.5	5	3	FIGURE	195	265	300	15	491	38	72	10	33	41	75
10	7.5	3		191	265	300	15	525	38	72	10	33	41	85
15	10	3	FIGURE	250	300	350	19	689	42	78	12	37	45	140
20	15	3		250	300	350	19	733	42	78	12	37	45	165



油壓鋁殼臥式馬達 **HAW**

Hydraulic horizontal motor aluminum housing



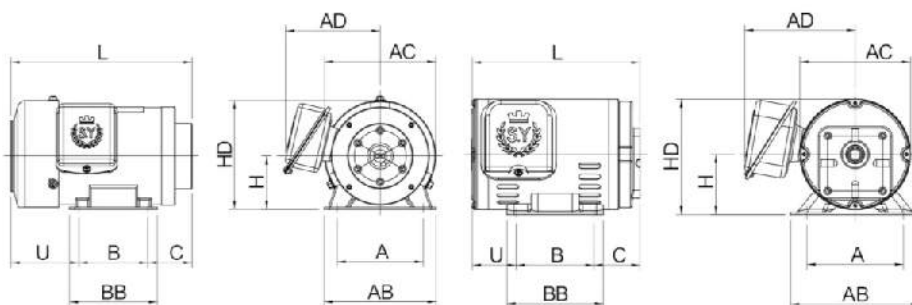
unit:mm

4P	6P	Phase	A	AA	AB	AC	B	BB	C	GA	GB	GC	H	HA	HD	HG	K	KW	L	kg
1	1/2	3	140	30	166	192	100	125	15	95	85	41	90	8	174	225	10	15	194	13
2	1	3	140	30	166	192	125	150	15	95	85	71	90	8	174	225	10	15	224	18
3	2	3	140	30	166	192	125	150	15	95	85	101	90	8	174	225	10	15	254	20.5



油壓鐵殼臥式馬達 **HTW**

Hydraulic drive motor steel horizontal type



A

B

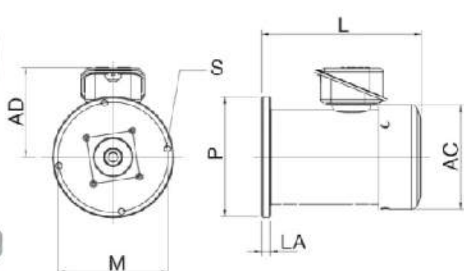
unit:mm

4P	6P	Phase	Drawings	pump	Fram size	A	AB	AC	AD	B	BB	C	H	HD	K	KW	L	U	kg
1/4HP	4P	3	A	TK/NOP	110	100	130	Φ129	110	80	102	51.5	62	126.5	8	20	207	75.5	7.5
1/4HP	4P	3	A	05A/AP/100	125	112	150	Φ142	128	90	112	30	70	141	9	25	192	72.5	7.5
1/2HP	4P	3	A	1A/PA	125	112	150	Φ142	128	90	112	53.5	70	141	9	25	216	72.5	10
1/2HP	4P	3	B	1A/PA	125	112	150	Φ129	128	90	112	53.5	70	134	9	25	180	36.5	9.5
1/2HP	4P	3	A	05A/AP/100	125	112	150	Φ142	128	90	112	30	70	141	9	25	193	72.5	10
1HP	4P	3	A	1A/PA	125	112	150	Φ142	128	90	112	53.5	70	141	9	25	231	87.5	10
1HP	4P	3	B	1A/PA	125	112	150	Φ129	128	90	112	53.5	70	134	9	25	196	52	9.5
1HP	4P	3	A	05A/AP/100	125	112	150	Φ142	128	90	112	30.5	70	141	9	25	208	87.5	10
1HP	4P	3	A	1A/PA	140	125	156	Φ156	133	75	94	64.5	77	155	9	25	239	99.5	10
2HP	4P	3	A	1A/PA	160	140	180	Φ177	143	100	130	69.5	89	178	10	25	277.5	108	17
1/2HP	4P	1	A	1A/PA	140	125	156	Φ156	131	75	94	64.5	77	155	9	25	242	102	11
1HP	4P	1	A	1A/PA	160	140	180	Φ177	149	100	130	69.5	89	178	10	25	277.5	108	19
2HP	4P	1	A	1A/PA	160	140	180	Φ177	149	100	130	79.5	89	178	10	25	297.5	118	23

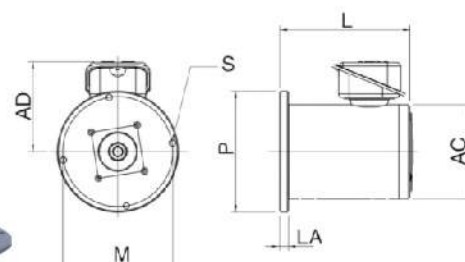


油壓鐵殼立式馬達 **HTL**

Hydraulic drive motor steel vertical type



A



B

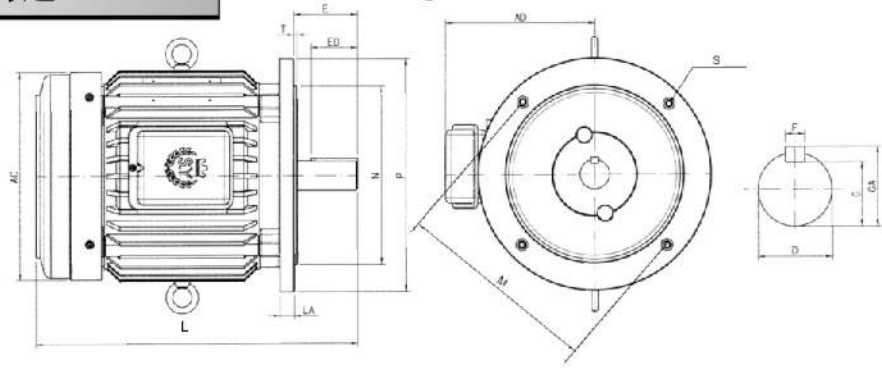
unit:mm

HP	Poles	Phase	Drawings	pump	Frame size	AC	AD	L	LA	M	N	P	S	T	kg
1HP	4P	3	A	1A/PA	125	142	123	220	12	Φ150	—	165	Φ8.5	—	10
1HP	4P	3	B	1A/PA/TFP/HP1	125	129	123	184	12	Φ150	—	165	Φ8.5	—	9.5
2HP	4P	3	B	1A/PA	160	164	139	245	9	Φ212	180	235.5	Φ11	12	16.5
1HP	4P	1	A	1A/PA	160	177	144	270	9	Φ212	180	235.5	Φ11	12	19
1HP	4P	1	B	1A/PA	160	164	144	250	9	Φ212	180	235.5	Φ11	12	18.5
2HP	4P	1	A	1A/PA	160	177	144	290	9	Φ212	180	235.5	Φ11	12	23
2HP	4P	1	B	1A/PA	160	164	144	265	9	Φ212	180	235.5	Φ11	12	22.5



標準型出軸立式馬達 **BSL**

Low voltage vertical motors



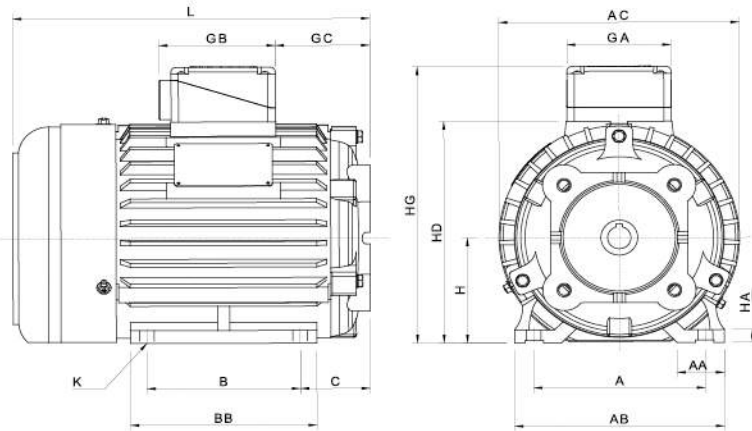
unit:mm

4P	6P	Frame size	Phase	AC	AD	L	LA	M	N	P	S	T	axile dimension						kg
													D	E	ED	F	G	GA	
1/2x2		71	3	158	130	260	11.5	130	110	160	10	3.5	14	30	25	5	11	16	11.5
1/2	1/4	71	3	158	130	275	11.5	130	110	160	10	3.5	14	30	25	5	11	16	12.3
1	1/2	80	3	177	135	278	11.5	165	130	200	12	3.5	19	40	30	6	15.5	21.5	18
2	1	90	3	196	150	338	11.5	165	130	200	12	3.5	24	50	40	8	20	27	23
3	2	100	3	220	156	365	14.5	215	180	248	15	4	28	60	40	8	24	31	23
5	3	112	3	228	163	380	13	215	180	250	15	5	28	60	40	8	24	31	40
7.5	5	132	3	268	193	420	16	265	230	300	15	4	38	80	60	10	33	41	58
10	7.5	132	3	268	193	455	16	265	230	300	15	4	38	80	60	10	33	41	70
15	10	160M	3	318	250	612	19	300	250	350	19.5	5	42	110	80	12	37	45	125
20	15	160L	3	318	250	656	19	300	250	350	19.5	5	42	110	80	12	37	45	135
1/2		80	1	177	139	310	11	130	110	160	12	3.5	14	30	30	5	11.5	16.5	17
1		90	1	196	152	358	9	165	130	200	12	3.5	24	50	40	8	20	27	23
2		90	1	196	156	390	9	165	130	200	12	3.5	24	50	40	8	20	27	30
3		112	1	228	174	423	13	215	180	250	15	5	28	60	40	8	24	31	42.5



油壓銑殼臥式出線盒在上馬達 **HUM**

Hydranlic drive motor horizontal



unit:mm

4P	6P	Frame size	Phase	A	AA	AB	AC	B	BB	C	GA	GB	GC	H	HA	HD	HG	K	L	kg
1		80	3	125	35	155	175	100	130	53.5	88	100	54	80	10	168	220	10	240	15
2	1	90L	3	140	38.5	171	196	125	152	57	85	95	77	90	11	190	241	12	280	23
3	2	100L	3	160	45	197	219	140	177	65	85	95	92.5	100	13.5	213	262	12	305	32
5	3	1/2M	3	190	46	232	235	140	169	57.5	100	110	75	112	15	230	280	12	300	42