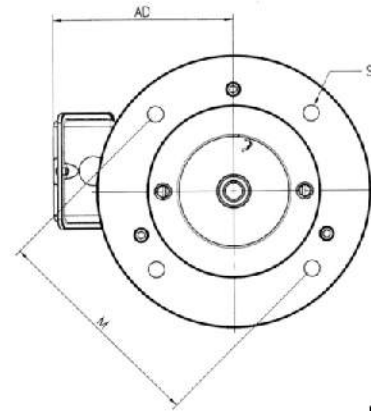
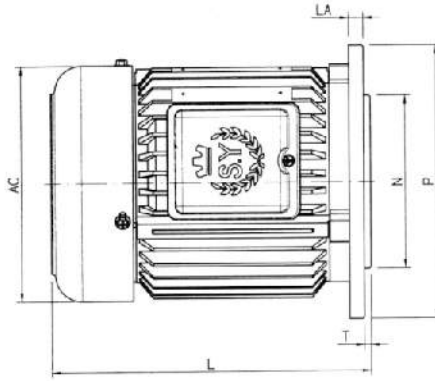




油壓銑殼立式馬達 **HSL**

Hydraulic motor vertical type



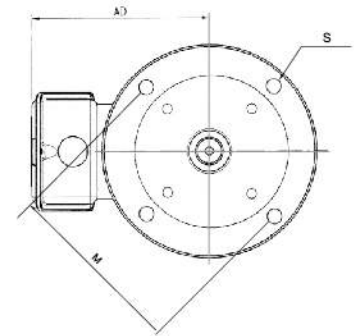
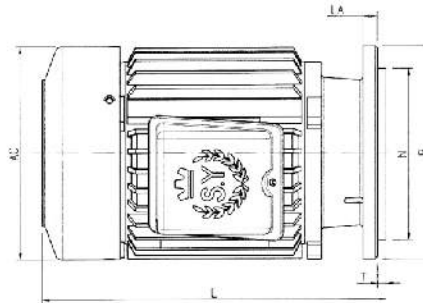
unit:mm

4P	6P	Frame size	Phase	AC	AD	L	LA	M	N	P	S	T	kg
1	1/2	80	3	177	140	250	10	180	130	206	12	12	16.5
1	-	90	1	196	155	282	10	200	130	230	12	10	24
2	1	90	3	196	150	264	10	200	130	230	12	10	24
2	-	90	1	196	160	325	10	200	130	230	12	10	30
3	2	112	3	228	166	290	12	225	180	250	12.5	14	32
3	-	112	1	228	175	332	14	225	180	255	12.5	14	42.5
5	-	112	3	228	166	287	12	225	180	255	12.5	14	37
7.5	5	132	3	268	195	348	14	265	230	300	15	5	61
10	7.5	132	3	268	195	380	14	265	230	300	15	5	71



油壓銑殼立式馬達(加長型) **HSL-L**

Hydraulic motor vertical type (long front cover type)

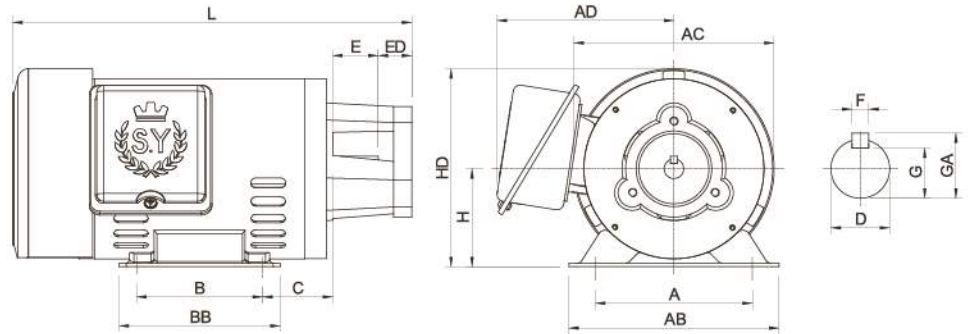


unit:mm

4P	6P	Frame size	Phase	AC	AD	L	LA	M	N	P	S	T	kg
1/2	1/4	71	3	158	130	250	11	130	110	160	11	-	12.5
15	10	160	3	318	255	508	18	300	250	350	19	6	106
20	15	160	3	318	252	553	18	300	250	350	19	6	130



逆滲透幫浦馬達 **ROM** Reverse osmosis pump drive motor



unit:mm

4P	Phase	A	AB	AC	AD	B	BB	C	H	HD	L	axile dimension						kg
												D	E	ED	F	G	GA	
1/2	1	112	150	142	130	90	112	49.5	70	150	282							10
1	1	140	180	177	150	100	130	69.5	89	178	347	19	23	41	6	15.5	21.5	19



沉油式馬達 **HDT** Submerge oil motor

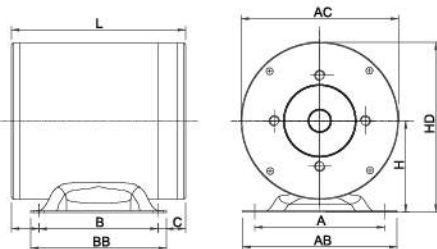


FIGURE1

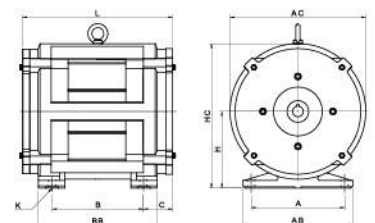


FIGURE2

unit:mm

4P	6P	Phase	Drawings	A	AB	AC	B	BB	C	H	HD	K	KW	L	kg
1		3	FIGURE1	140	180	164	100	130	42.5	89	171	10	25	219	15
2	1	3	FIGURE1	140	180	164	100	130	42.5	89	171	10	25	219	18
3	2	3	FIGURE1	190	226	185	140	168	32.5	108	201	12	25	205	20
5	3	3	FIGURE1	190	226	185	140	168	32.5	108	201	12	25	205	22
7.5	5	3	FIGURE1	190	226	185	140	168	52.5	108	201	12	25	245	27
10	7.5	3	FIGURE1	190	226	185	140	168	62.5	108	201	12	25	265	33
15	10	3	FIGURE2	195	230	285	190	245	60	160	302	15		313	62.5
20	15	3	FIGURE2	195	230	285	190	245	60	160	302	15		313	67.5



馬達特性表 *Technical date*

- Test condition: 220V/60Hz/4P/3φ
- Size meets CNS 3071/C1036
- Characteristic meets IEC34-1/EN60034/CNS2934

Output		Speed	Frame size	Insulation Class	Full Load Characteristic				Start Characteristic		Largest Torque kg/cm
HP	Kw	rpm/min			轉矩 Kg-cm	效率 %	功率因數 %	電流 Amp	轉矩比% Torque	電流 Amp	
1	0.75	1720	80	E	42	81.3	71.5	3.4	2.2	15.5	139
2	1.5	1720	90L	E	84	83.0	79.0	6.1	2.2	31.5	245
3	2.2	1720	100L	E	126	85.5	78.5	8.7	2.0	50.5	334
5	3.7	1740	112M	E	210	85.5	81.5	13.5	1.8	82.0	540
7 1/2	5.5	1740	132S	B	315	86.5	81.5	20.1	1.9	125	810
10	7.5	1740	132M	B	420	87.0	80.5	25.1	2.0	189	1037
15	11	1740	160M	B	630	86.0	82.5	36.7	1.6	289	1562
20	15	1740	160L	B	840	88.5	80.0	50.3	1.7	351	1975
25	18.5	1740	180M	B	1050	89.0	83.5	63	2.0	430	2369
30	22	1740	180M	B	1260	89.0	85.5	73	1.7	539	2825
40	30	1740	180L	F	1680	92	88.0	97	1.5	612	3779

零件明細表 *Parts List*

項目 Part NO	零件名稱 Description	項目 Part NO	零件名稱 Description	項目 Part NO	零件名稱 Description
No.1	前托架 Bracket-L	No.11	風罩 Fan cover	No.21	六角螺絲 Socket head screws
No.2	框架 Frame	No.12	出線皮 Out line rind	No.22	螺絲墊圈 Screw washer
No.3	後托架 Bracket-F	No.13	出線盒下蓋 Out line box lower cover	No.23	六角螺絲 Socket head screws
No.4	前軸承 Bearing-L	No.14	電線保護器 Bushing head	No.24	十字螺絲 Cross screw
No.5	心軸 Shaft	No.15	接線板 Patch board	No.25	螺絲 Screws
No.6	轉子 Rotor	No.16	接線板護蓋 Patch board cover	No.26	螺帽 Screw nut
No.7	定子 Stator	No.17	出線盒邊條 Out line box side article	No.27	螺絲 Screws
No.8	後軸承 Bearing-F	No.18	出線盒上蓋 Out line box upper cover		
No.9	壓簧 Pre-load spring	No.19	吊環 Flying rings		
No.10	風扇 Fan	No.20	銘牌 Name plate		

