

Marine Certification

Marine classification is that the structure and equipment of the ship has been estimated from the test with the certain standards for certificate issued and given by classification society. SV-IS7 Series is certificated with product testing, process, production equipment and test equipment to install on the shipping.

DNV (Det Norske Veritas) Marine Certification Details

Certification Institute	DNV (Det norske veritas)
Certificate Number	TAE00001S1
Certified Model Types	SV-iS7 series (Range: 0.75kW~75kW, 200V Class / 0.75kW~375kW, 400V Class)
Compliance	Det norske veritas' rules for classification of ships, high speed & light craft det norske veritas' offshore standards

BV (Bureau Veritas) Marine Certification Details

Certification Institute	Bureau veritas (Marine&Off shore division)
Certificate Number	40183/A0 BV
Certified Model Types	SV-iS7 Series (Range: 0.75kW~75kW, 200V class / 0.75kW~375kW, 400V Class)
Compliance	Bureau veritas rules for the classification of steel ships

ABS (American Bureau of Shipping) Marine Certification Details

Certification Institute	ABS (American bureau of shipping)
Certificate Number	14-BK1291913-PDA
Certified Model Types	SV-iS7 series (Range: 0.75kW~75kW, 200V Class / 0.75kW~90kW, 400V Class)
Compliance	Installation of the product on an ABS class vessel, MODU or facility

KR (Korean Resister)

Certification Institute	KR (Korean resister)
Certificate Number	PTD25585-AC003
Certified Model Types	SV-iS7 Series (Range: 0.75 kW~75 kW, 200V / 0.75 kW~375 kW, 400V)
Compliance	Korean resister's rules for classification of steel ships

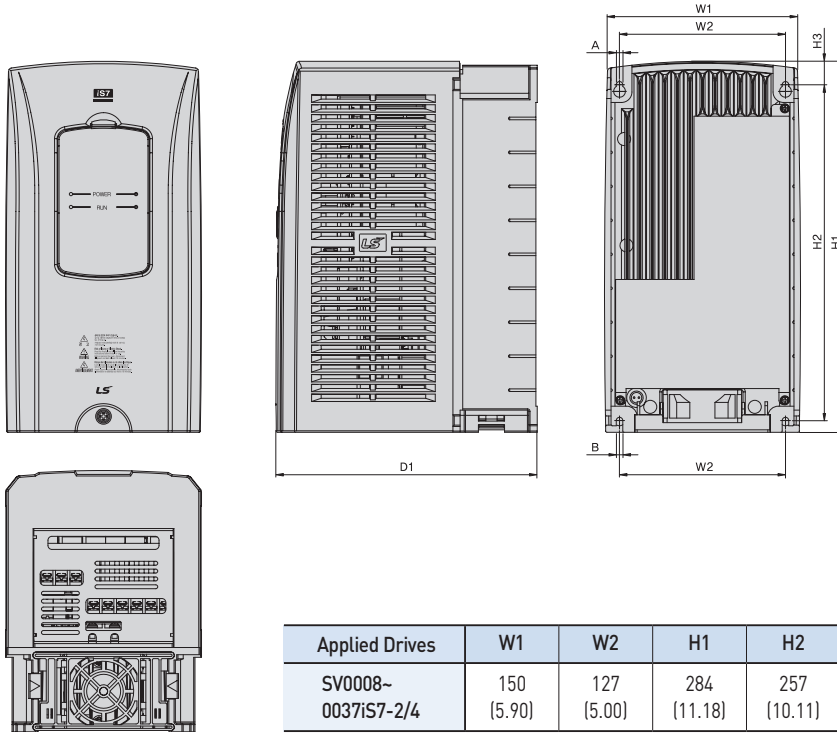
Marine Certification

Voltage	Type	DNV	BV	ABS	KR	
3-Phase 200V Class	SV0008iS7-2 □□□□ V	○	○	○	○	
	SV0015iS7-2 □□□□ V	○	○	○	○	
	SV0022iS7-2 □□□□ V	○	○	○	○	
	SV0037iS7-2 □□□□ V	○	○	○	○	
	SV0055iS7-2 □□□□ V	○	○	○	○	
	SV0075iS7-2 □□□□ V	○	○	○	○	
	SV0110iS7-2 □□□□ V	○	○	○	○	
	SV0150iS7-2 □□□□ V	○	○	○	○	
	SV0185iS7-2 □□□□ V	○	○	○	○	
	SV0220iS7-2 □□□□ V	○	○	○	○	
	SV0300iS7-2 □□□□ V	○	○	○	○	
	SV0370iS7-2 □□□□ V	○	○	○	○	
	SV0450iS7-2 □□□□ V	○	○	○	○	
	SV0550iS7-2 □□□□ V	○	○	○	○	
	SV0750iS7-2 □□□□ V	○	○	○	○	
3-Phase 400V Class	SV0008iS7-2 □□□□ V	○	○	○	○	
	SV0015iS7-2 □□□□ V	○	○	○	○	
	SV0022iS7-2 □□□□ V	○	○	○	○	
	SV0037iS7-2 □□□□ V	○	○	○	○	
	SV0055iS7-2 □□□□ V	○	○	○	○	
	SV0075iS7-2 □□□□ V	○	○	○	○	
	SV0110iS7-2 □□□□ V	○	○	○	○	
	SV0150iS7-2 □□□□ V	○	○	○	○	
	SV0185iS7-2 □□□□ V	○	○	○	○	
	SV0220iS7-2 □□□□ V	○	○	○	○	
	SV0300iS7-2 □□□□ V	○	○	○	○	
	SV0370iS7-2 □□□□ V	○	○	○	○	
	SV0450iS7-2 □□□□ V	○	○	○	○	
	SV0550iS7-2 □□□□ V	○	○	○	○	
	SV0750iS7-2 □□□□ V	○	○	○	○	
	SV0900iS7-2 □□□□ V	○	○	○	○	
	SV1100iS7-2 □□□□ V	○	○	○	X	○
	SV1320iS7-2 □□□□ V	○	○	○	X	○
	SV1600iS7-2 □□□□ V	○	○	○	X	○
	SV1850iS7-2 □□□□ V	○	○	○	X	○
SV2200iS7-2 □□□□ V	○	○	○	X	○	
SV2800iS7-2 □□□□ V	○	○	○	X	○	
SV3150iS7-2 □□□□ V	○	○	○	X	○	
SV3750iS7-2 □□□□ V	○	○	○	X	○	

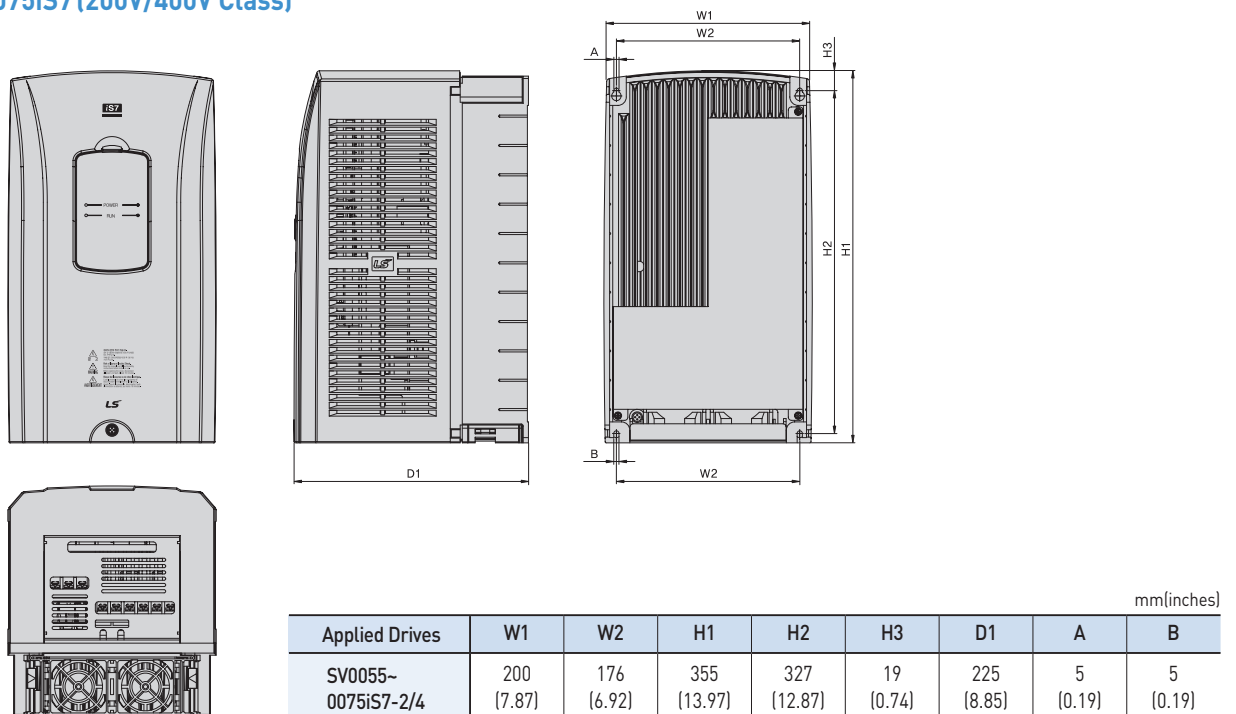
Dimensions (UL Enclosed Type1, IP21 Type)

High Performance Standard
AC Drive iS7

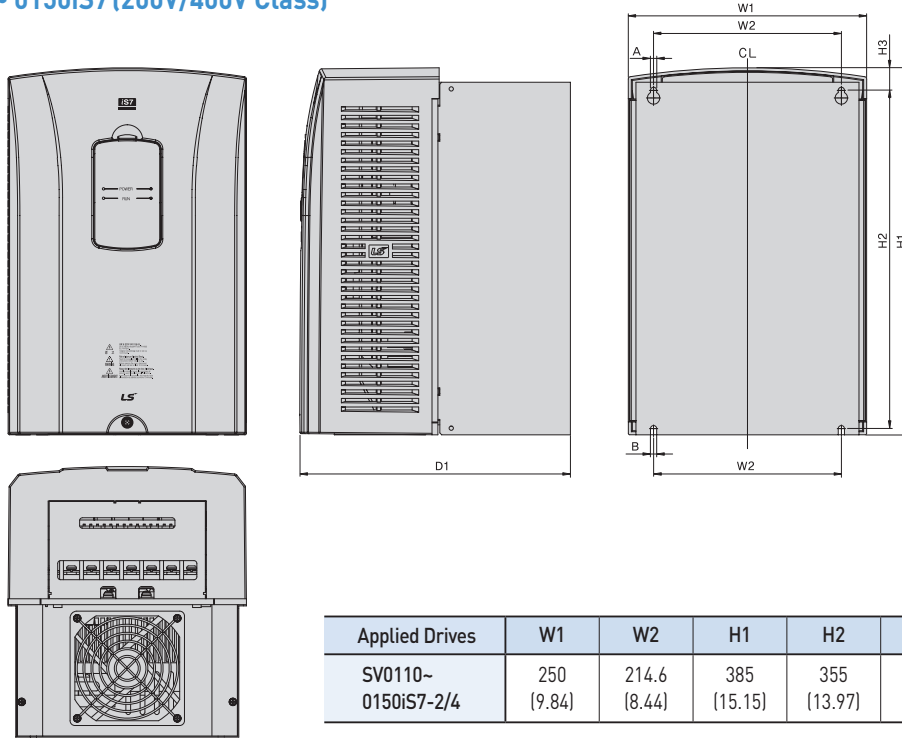
SV0008 ~ 0037iS7 (200V/400V Class)



SV0055 ~ 0075iS7 (200V/400V Class)

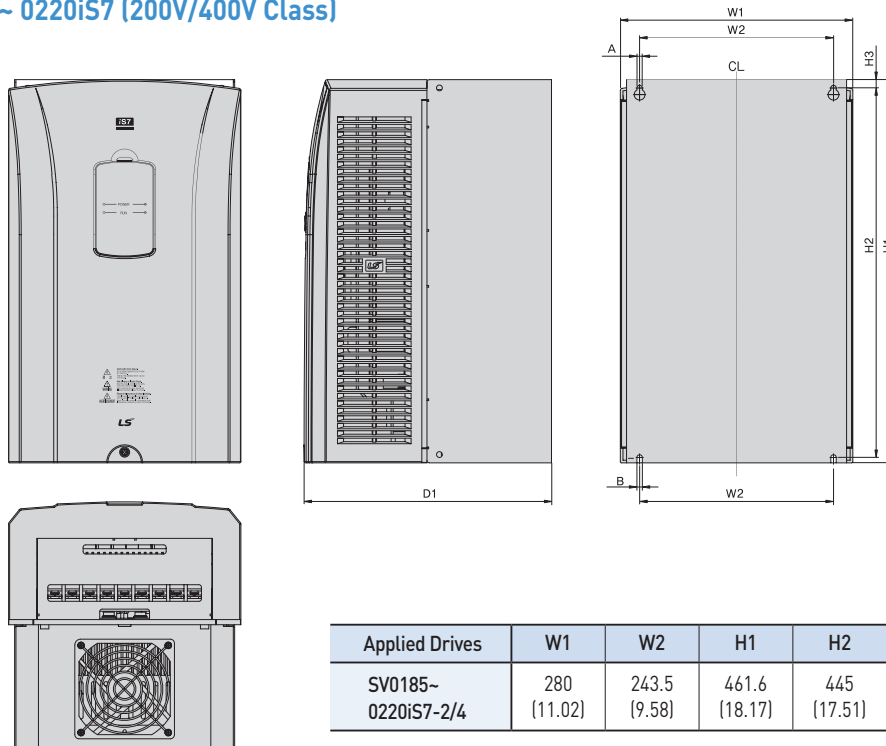


SV0110 ~ 0150iS7 (200V/400V Class)



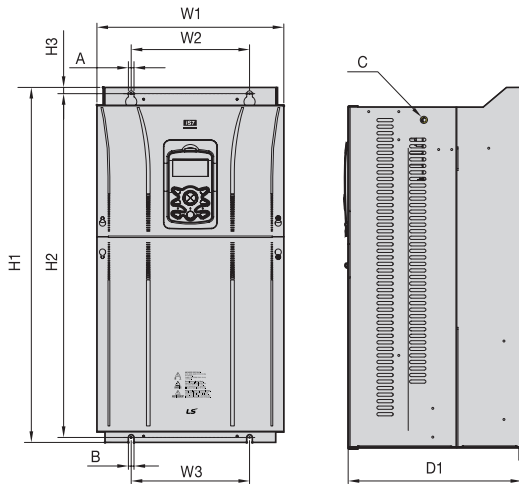
mm(inches)

SV0185 ~ 0220iS7 (200V/400V Class)

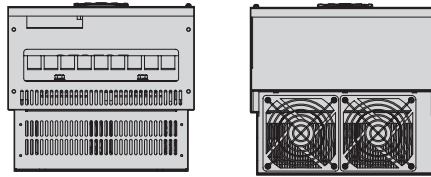


mm(inches)

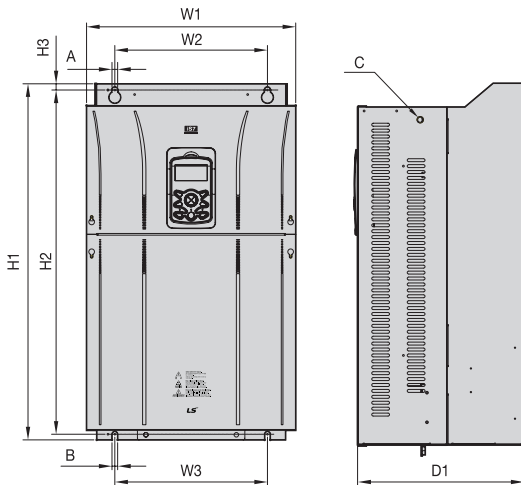
SV0300iS7 (200V Class, IP00 Type)



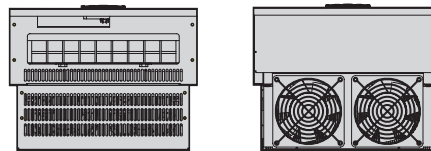
Applied Drives	W1	W2/W3	H1	H2	H3	D1	A	B	C
SV0300iS7-2	300 (11.81)	190 (7.48)	570 (22.44)	552 (21.73)	10 (0.39)	265.2 (10.44)	9 (0.35)	10 (0.39)	M8



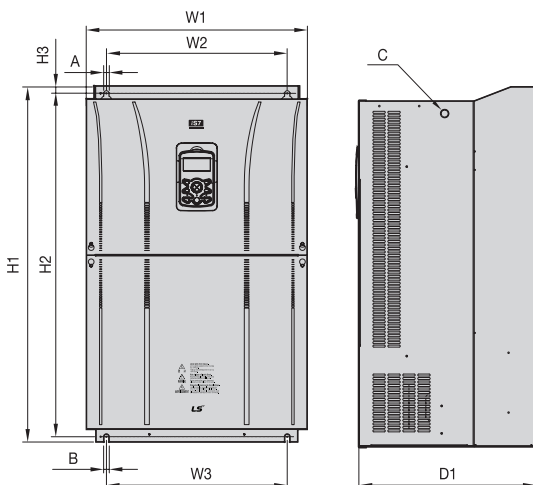
SV0370 ~ 0450iS7 (200V Class, IP00 Type)



Applied Drives	W1	W2/W3	H1	H2	H3	D1	A	B	C
SV0370~ 0450iS7-2	370 (14.56)	270 (10.63)	630 (24.8)	609 (23.97)	11 (0.43)	281.2 (11.07)	10 (0.39)	10 (0.39)	M10



SV0550 ~ 0750iS7 (200V Class, IP00 Type)



Applied Drives	W1	W2/W3	H1	H2	H3	D1	A	B	C
SV0550~ 0750iS7-2	465 (18.3)	381 (15.0)	750 (29.52)	723.5 (28.48)	15.5 (0.61)	355.6 (14.0)	11 (0.43)	11 (0.43)	M16

