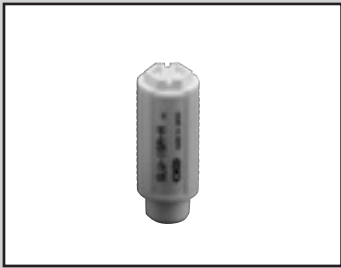


F.R.L.
 F.R.
 F (Filtr)
 R (Reg)
 L (Lub)
 Drain
 Separ
 Mech
 Press SW
 Res press
 exh valve
 SlowStart
 Anti-bac/Bac-
 remove Filtr
 Film
 Resist FR
 Oil-ProhR
 Med
 Press FR
 No Cu/
 PTFE FRL
 Outdr/s FRL
 Adapter
 Joiner
 Press
 Gauge
 CompFRL
 LgFRL
 PrecsR
 VacF/R
 Clean FR
 ElecPneuR
 AirBoost
 Speed Ctrl
Silncr
 CheckV/
 other
 Fit/Tube
 Nozzle
 Air Unit
 PrecsCompn
 Electro
 Press SW
 ContactSW
 AirSens
 PresSW
 Cool
 Air Flo
 Sens/Ctrl
 WaterRtSens
 TotAirSys
 (Total Air)
 TotAirSys
 (Gamma)
 Gas
 generator
 RefrDry
 DesicDry
 HiPolymDry
 MainFiltr
 Dischrg
 etc
 Ending



Silencer Small bore size/resin body
SL/SLW Series

Noise reduction effect of 30 dB [A] or more.

● Port size: M5 / R1/8 to R1/2

JIS symbol



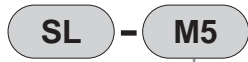
Specifications

Item	SL-M5	SLW-6□	SLW-8□	SLW-10□	SLW-15□
Working fluid	Compressed air				
Max. working pressure MPa	1.0 (≈150 psi, 10 bar)				
Min. working pressure MPa	0 (≈0 psi, 0 bar)				
Proof pressure MPa	1.5 (≈220 psi, 15 bar)				
Fluid temperature °C	5 (41°F) to 60 (140°F) (no freezing. *2)				
Ambient temperature °C	-10 (14°F) to 60 (140°F) (no freezing)				
Port size R/NPT/G	M5	1/8	1/4	3/8	1/2
Weight g	5	3.5	7.5	15	21
Cylinder bore size mm	ø6 to ø15	ø20 to ø80	ø32 to ø80	ø50 to ø100	ø50 to ø100
Noise reduction effect dB	20 or more	30 or more			
Flow rate *1 ℓ/min (ANR)	300	650	1300	2000	4850
Effective cross-sectional area mm ²	5	10	20	30	75

*1: Flow rate is the atmospheric pressure conversion at 0.5 MPa.

*2: Freezing may occur due to adiabatic expansion depending on the air quality (dew point).

How to order



A Port size	
M5	M5×0.8

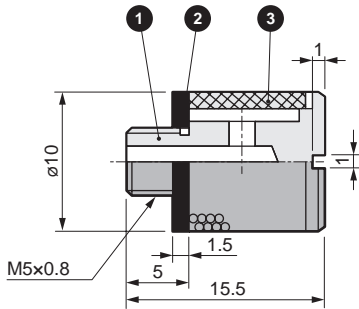
Note: Sales unit is 2 pcs./bag.

A Port size	
6A	R1/8
6N	NPT1/8
6G	G1/8
8A	R1/4
8N	NPT1/4
8G	G1/4
10A	R3/8
10N	NPT3/8
10G	G3/8
15A	R1/2
15N	NPT1/2
15G	G1/2

Internal structure and parts list/dimensions

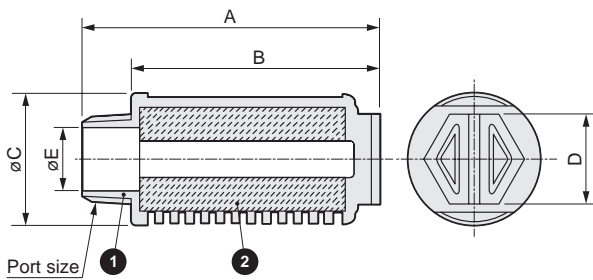


● SL-M5



No.	Part name	Material
1	Body	Copper alloy
2	Gasket	Nitrile rubber
3	Element	Copper alloy sintering

● SLW-6A/8A/10A/15A



No.	Part name	Material	Color
1	Body	Polyamide resin (flame-resistant resin *)	White
2	Element	PP sintered resin	White

* UL94 Standards V-0 equivalent

Model No.	A	B	C	D	E	Port size	
						A	N
SLW-6□	34	28	16.5	10	7	R1/8	NPT1/8
SLW-8□	44.5	36	20	13	8.5	R1/4	NPT1/4
SLW-10□	58.5	48.5	25.5	17	12	R3/8	NPT3/8
SLW-15□	71.4	58.4	28	19	15	R1/2	NPT1/2

⚠ Safety precautions

- Use tightening torque equivalent to the tightening strength of a human hand. (Refer to the table below for tightening torque guidelines.)

Thread size	Tightening torque (N·m)
M5	1.0
R1/8	1.0
R1/4	2.5
R3/8	3.0
R1/2	3.0

- F.R.L.
- F.R.
- F (Filtr)
- R (Reg)
- L (Lub)
- Drain Separ
- Mech Press SW
- Res press exh valve
- SlowStart
- Anti-bac/Bac-remove Filtr
- Film Resist FR
- Oil-ProhR
- Med Press FR
- No Cu/ PTFE FRL
- Outdrs FRL
- Adapter Joiner
- Press Gauge
- CompFRL
- LgFRL
- PrecsR
- VacF/R
- Clean FR
- ElecPneuR
- AirBoost
- Speed Ctrl
- Silncr**
- CheckV/ other
- Fit/Tube
- Nozzle
- Air Unit
- PresCompn
- Electro Press SW
- ContactSW
- AirSens
- PresSW Cool
- Air Flo Sens/Ctrl
- WaterR/Sens
- TotAirSys (Total Air)
- TotAirSys (Gamma)
- Gas generator
- RefrDry
- DesicDry
- HiPolymDry
- MainFiltr
- Dischrg etc
- Ending



Silencer: High noise reduction/small bore size/resin body

SLW-*A-H Series

● Port size: Rc 1/4 to Rc 1/2

JIS symbol



Specifications

Item	SLW-8A-H	SLW-10A-H	SLW-15A-H
Working fluid	Compressed air		
Max. working pressure MPa	1.0 (≈150 psi, 10 bar)		
Min. working pressure MPa	0 (≈0 psi, 0 bar)		
Proof pressure MPa	1.5 (≈220 psi, 15 bar)		
Fluid temperature °C	5 (41°F) to 60 (140°F) (no freezing. *2)		
Ambient temperature °C	-10 (14°F) to 60 (140°F) (no freezing)		
Port size	R 1/4	R 3/8	R 1/2
Weight	g 7.5	g 15	g 21
Cylinder bore	mm ø32 to ø80	mm ø50 to ø100	mm ø50 to ø100
Noise reduction effect dB [A]	40 or more		
Flow rate *1 l/min (ANR)	1000	2000	3250
Effective cross-sectional area mm ²	15	30	50

*1: Flow rate is the atmospheric pressure conversion at 0.5 MPa.

*2: Freezing may occur due to adiabatic expansion depending on the air quality (dew point).

How to order



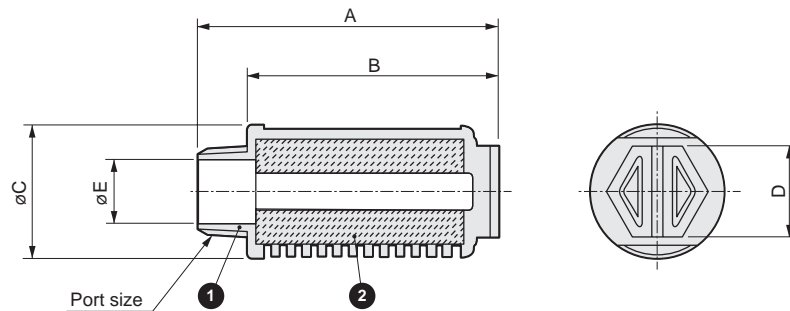
A Port size	
8A	R1/4
10A	R3/8
15A	R1/2

⚠ Safety precautions

- Use tightening torque equivalent to the tightening strength of a human hand and do not apply a lateral load. (Refer to the table below for tightening torque guidelines.)

Thread size	Tightening torque (N·m)
R1/4	2.5
R3/8	3.0
R1/2	3.0

Internal structure and parts list/dimensions



No.	Part name	Material	Color
1	Body	Polyamide resin (flame-resistant resin *)	White
2	Element	PP sintered resin	Light yellow

* UL94 Standards V-0 equivalent

Model No.	A	B	C	D	E	Port size
SLW-8A-H	44.5	36	20	13	8.5	R1/4
SLW-10A-H	58.5	48.5	25.5	17	12	R3/8
SLW-15A-H	71.4	58.4	28	19	15	R1/2



Silencer: Large flow rate/small bore size/resin body

SLW-*L Series

● Port size: R1/4 / R3/8

JIS symbol



Specifications

Item		SLW-8L	SLW-10L
Working fluid		Compressed air	
Max. working pressure	MPa	1.0 (≈150 psi, 10 bar)	
Min. working pressure	MPa	0 (≈0 psi, 0 bar)	
Proof pressure	MPa	1.5 (≈220 psi, 15 bar)	
Fluid temperature	°C	5 (41°F) to 60 (140°F) (no freezing. *2)	
Ambient temperature	°C	-10 (14°F) to 60 (140°F) (no freezing)	
Port size	R	1/4	3/8
Weight	g	15	19.5
Cylinder bore	mm	ø32 to ø80	ø50 to ø100
Noise reduction effect	dB [A]	30 or more	
Flow rate *1	ℓ/min(ANR)	2000	4000
Effective cross-sectional area	mm ²	30	60

*1: Flow rate is the atmospheric pressure conversion at 0.5 MPa.

*2: Freezing may occur due to adiabatic expansion depending on the air quality (dew point).

How to order

SLW - 8L

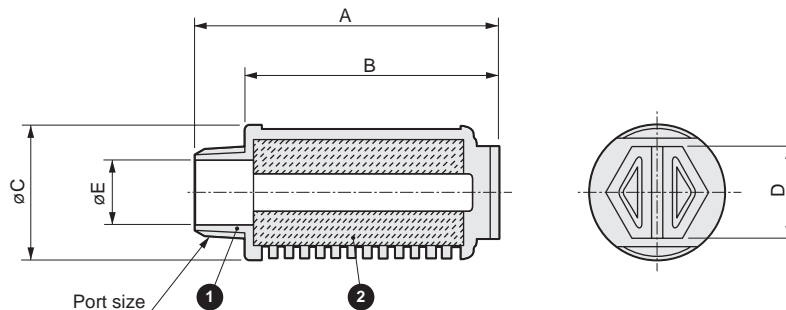
A Port size	
8L	R1/4
10L	R3/8

⚠ Safety precautions

- Use tightening torque equivalent to the tightening strength of a human hand. (Refer to the table below for tightening torque guidelines.)

Thread size	Tightening torque (N·m)
R1/4	2.5
R3/8	3.0

Internal structure and parts list/dimensions



No.	Part name	Material	Color
1	Body	Polyamide resin (flame-resistant resin *)	White
2	Element	PP sintered resin	White

* UL94 Standards V-0 equivalent

Model No.	A	B	C	D	E	Port size
SLW-8L	57.4	48.5	25.5	17	8.5	R1/4
SLW-10L	68.2	58.4	28	19	12	R3/8

F.R.L.
F.R.
F (Filtr)
R (Reg)
L (Lub)
Drain Separ
Mech Press SW
Res press exh valve
SlowStart
Anti-bac/Bac-remove Filtr
Film Resist FR
Oil-ProhR
Med Press FR
No Cu/ PTFE FRL
Outdtrs FRL
Adapter Joiner
Press Gauge
CompFRL
LgFRL
PrecsR
VacF/R
Clean FR
ElecPneuR
AirBoost
Speed Ctrl
Silncr
CheckV/ other
Fit/Tube
Nozzle
Air Unit
PresCompn
Electro Press SW
ContactSW
AirSens
PresSW Cool
Air Flo Sens/Ctrl
WaterRISens
TotAirSys (Total Air)
TotAirSys (Gamma)
Gas generator
RefrDry
DesicDry
HiPolymDry
MainFiltr
Dischrg etc
Ending



Silencer: High noise reduction/compact

SLW-6S/8S Series

Compact and lightweight, with a noise reduction effect of 25 dB [A] and over

JIS symbol



Specifications

Item	SLW-6S	SLW-8S
Working fluid	Compressed air	
Max. working pressure MPa	1.0 (≈150 psi, 10 bar)	
Min. working pressure MPa	0 (≈0 psi, 0 bar)	
Proof pressure MPa	1.5 (≈220 psi, 15 bar)	
Fluid temperature °C	5 (41°F) to 60 (140°F) (no freezing. *2)	
Ambient temperature °C	-10 (14°F) to 60 (140°F) (no freezing)	
Port size	R 1/8	R 1/4
Weight g	1.0	2.0
Cylinder bore mm	ø20 to ø80	ø32 to ø80
Noise reduction effect dB [A]	25 or more	28 or more
Flow rate *1) l/min(ANR)	800	1900
Effective cross-sectional area mm ²	12	30

*1: Flow rate is the atmospheric pressure conversion at 0.5 MPa.

*2: Freezing may occur due to adiabatic expansion depending on the air quality (dew point).

How to order



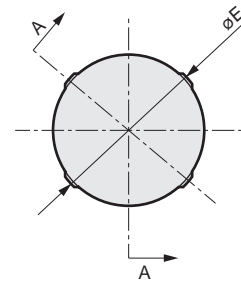
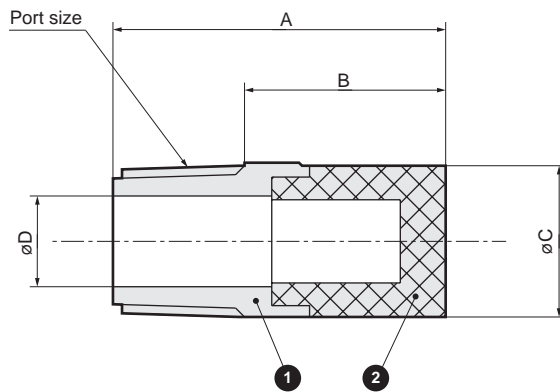
A	Port size
6	R1/8
8	R1/4

⚠ Safety precautions

Use tightening torque equivalent to the tightening strength of a human hand.
(Refer to the table below for tightening torque guidelines.)

Thread size	Tightening torque (N·m)
R1/8	0.1 to 0.15
R1/4	0.15 to 0.25

Dimensions and internal structure



Cross-section A-A

No.	Part name	Material	Color
1	Body	PP	White
2	Element	PP sintered resin	White

Model No.	Port size	A	B	C	D	E
SLW-6S	R1/8	22	13.3	10.5	6	10.5
SLW-8S	R1/4	28	19	14.8	9	15.4



Silencer: High noise reduction/compact

SLW-20S Series

Compact with a noise reduction effect of 30 dB [A] and over

JIS symbol



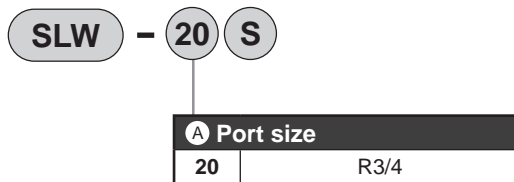
Specifications

Item	SLW-20S	
Working fluid	Compressed air	
Max. working pressure MPa	1.0 (≈150 psi, 10 bar)	
Min. working pressure MPa	0 (≈0 psi, 0 bar)	
Proof pressure MPa	1.5 (≈220 psi, 15 bar)	
Fluid temperature °C	5 (41°F) to 60 (140°F) (no freezing. *2)	
Ambient temperature °C	-10 (14°F) to 60 (140°F) (no freezing)	
Port size	R	3/4
Weight	g	20
Cylinder bore	mm	ø100 to ø200
Noise reduction effect dB [A]	30 or more	
Flow rate *1) ℓ/min(ANR)	6000	
Effective cross-sectional area mm ²	90	

*1: Flow rate is the atmospheric pressure conversion at 0.5 MPa.

*2: Freezing may occur due to adiabatic expansion depending on the air quality (dew point).

How to order

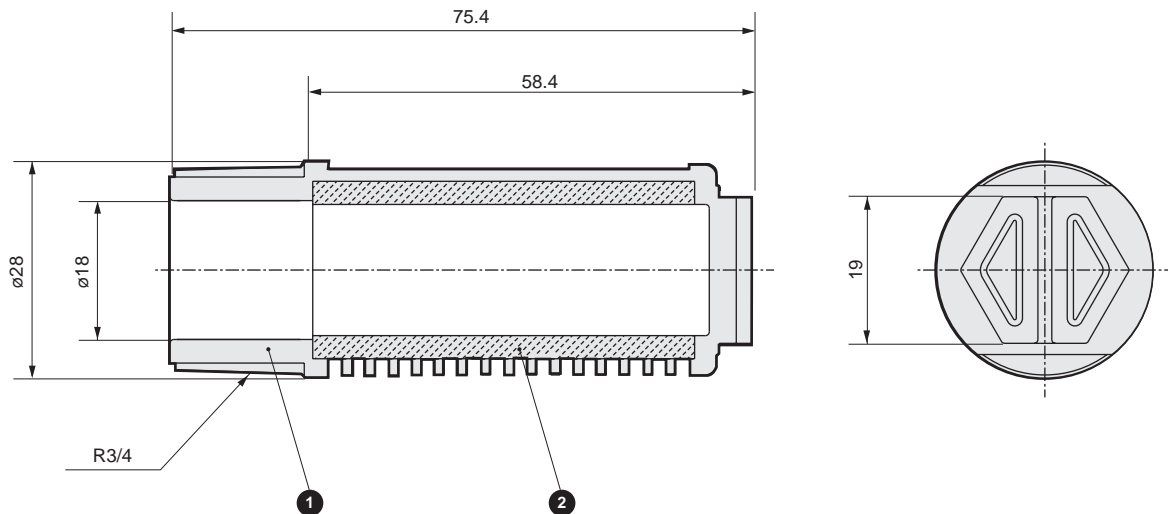


⚠ Safety precautions

Use tightening torque equivalent to the tightening strength of a human hand.
(Refer to the table below for tightening torque guidelines.)

Thread size	Tightening torque (N·m)
R3/4	3.0

Dimensions and internal structure

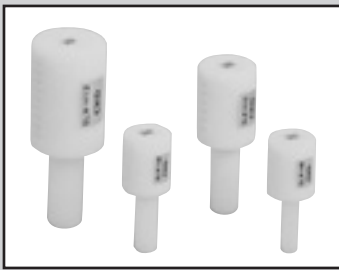


No.	Part name	Material	Color
1	Body	Polyamide resin (flame-resistant resin *)	White
2	Element	PP sintered resin	White

* UL94 Standards V-0 equivalent

- F.R.L.
- F.R.
- F (Filtr)
- R (Reg)
- L (Lub)
- Drain Separ
- Mech Press SW
- Res press exh valve
- SlowStart
- Anti-bac/Bac-remove Filtr
- Film Resist FR
- Oil-ProhR
- Med Press FR
- No Cu/ PTFE FRL
- Outdrs FRL
- Adapter Joiner
- Press Gauge
- CompFRL
- LgFRL
- PrecsR
- VacF/R
- Clean FR
- ElecPneuR
- AirBoost
- Speed Ctrl
- Silncr**
- CheckV/ other
- Fit/Tube
- Nozzle**
- Air Unit
- PressCompn
- Electro Press SW
- ContactSW
- AirSens
- PresSW Cool
- Air Flo Sens/Ctrl
- WaterR/Sens
- TotAirSys (Total Air)
- TotAirSys (Gamma)
- Gas generator
- RefrDry
- DesicDry
- HiPolymDry
- MainFiltr
- Dischrg etc
- Ending

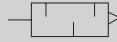
F.R.L.
 F.R.
 F (Filtr)
 R (Reg)
 L (Lub)
 Drain
 Separ
 Mech
 Press SW
 Res press
 exh valve
 SlowStart
 Anti-bac/Bac-
 remove Filtr
 Film
 Resist FR
 Oil-ProhR
 Med
 Press FR
 No Cu/
 PTFE FRL
 Outdrs FRL
 Adapter
 Joiner
 Press
 Gauge
 CompFRL
 LgFRL
 PrecsR
 VacF/R
 Clean FR
 ElecPneuR
 AirBoost
 Speed Ctrl
 Silncr
 CheckV/
 other
 Fit/Tube
 Nozzle
 Air Unit
 PrecsCompn
 Electro
 Press SW
 ContactSW
 AirSens
 PresSW
 Cool
 Air Flo
 Sens/Ctrl
 WaterRtSens
 TotAirSys
 (Total Air)
 TotAirSys
 (Gamma)
 Gas
 generator
 RefrDry
 DesiccDry
 HiPolymDry
 MainFiltr
 Dischrg
 etc
 Ending



Silencer Push-in SLW-H* Series

● Port size: $\varnothing 6$, $\varnothing 8$, $\varnothing 10$, $\varnothing 12$

JIS symbol



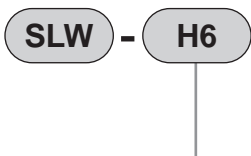
Specifications

Item	SLW-H6	SLW-H8	SLW-H10	SLW-H12
Working fluid	Compressed air			
Max. working pressure MPa	0.7 (≈ 100 psi, 7 bar)			
Min. working pressure MPa	0 (≈ 0 psi, 0 bar)			
Proof pressure MPa	1.05 (≈ 150 psi, 10.5 bar)			
Fluid temperature $^{\circ}\text{C}$	5 (41 $^{\circ}\text{F}$) to 60 (140 $^{\circ}\text{F}$) (no freezing. *2)			
Ambient temperature $^{\circ}\text{C}$	-10 (14 $^{\circ}\text{F}$) to 60 (140 $^{\circ}\text{F}$) (no freezing)			
Port size	$\varnothing 6$	$\varnothing 8$	$\varnothing 10$	$\varnothing 12$
Weight g	3.5	3.5	6.2	12.5
Noise reduction effect dB(A)	20 or more			
Flow rate *1 ℓ/min	455	550	1135	1655
Effective cross-sectional area mm^2	7	8.5	17.5	25.5

*1: Flow rate is the atmospheric pressure conversion at 0.5 MPa.

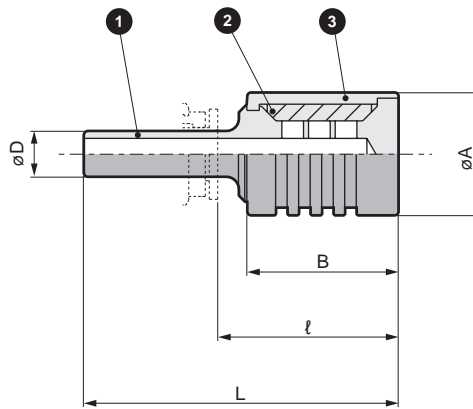
*2: Freezing may occur due to adiabatic expansion depending on the air quality (dew point).

How to order



A Port size	
H6	$\varnothing 6$
H8	$\varnothing 8$
H10	$\varnothing 10$
H12	$\varnothing 12$

Dimensions and internal structure



No.	Part name	Material
1	Shaft body	Polyamide resin
2	Element	Felt
3	Cover	Polyamide resin

Model No.	A	B	D	L	l*
SLW-H6	16	20	$\varnothing 6$	41	23.5
SLW-H8	16	20	$\varnothing 8$	42	23
SLW-H10	20	27	$\varnothing 10$	53	31.5
SLW-H12	25	37	$\varnothing 12$	66	43

* For connection fitting, dimensions of CKD (GW Series) are shown.